

# SPORTSMAN® XP FRONT RACK KIT



**P/N 2883257**

## APPLICATION

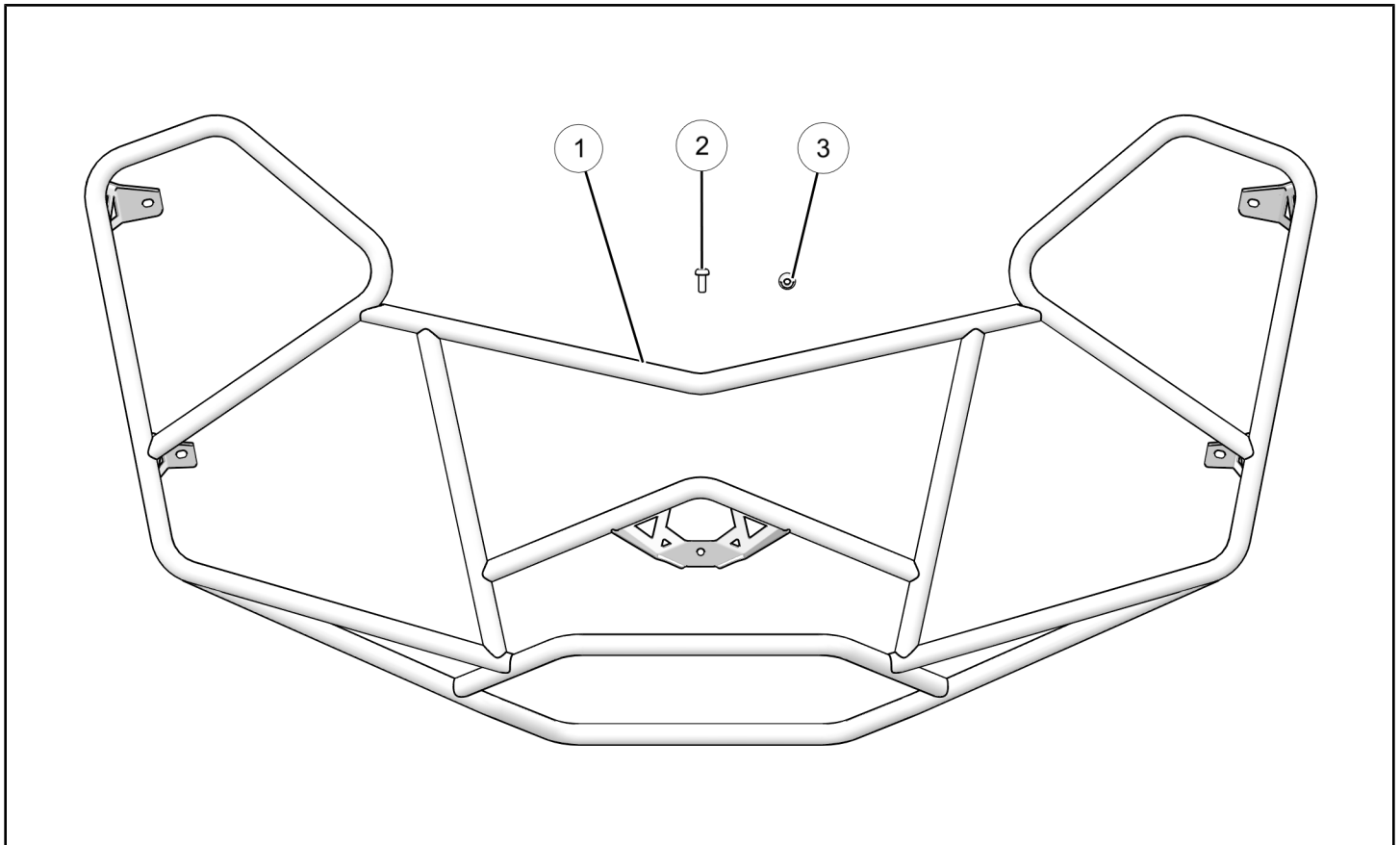
Verify accessory fitment at [Polaris.com](http://Polaris.com)

## BEFORE YOU BEGIN

Read these instructions and check to be sure all parts and tools are accounted for. Please retain these installation instructions for future reference and parts ordering information.

## KIT CONTENTS

This Kit includes:



REF	QTY	PART DESCRIPTION	PART NUMBER
1	1	Asm-Rack, Front	1023683
2	1	Screw, M6X1.0	7517370
3	1	Nut, M6X1.0	7547453
	1	Instructions	9928433

### NOTE

Rack is not compatible with part number 2882270, Sportsman Moveable Tie-Down Points kit or with Rack Extender kits 2882024/2882022.

## TOOLS REQUIRED

- Safety Glasses
- Wrench Set, Metric
- Socket Set, Torx® Bit

- Drill
- Drill Bit: 1/4 inch

## IMPORTANT

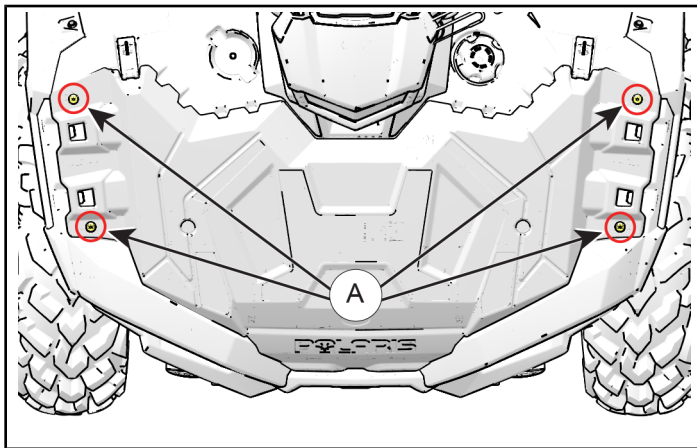
Your Sportsman® XP Front Rack Kit is exclusively designed for your vehicle. Please read the installation instructions thoroughly before beginning. Installation is easier if the vehicle is clean and free of debris. For your safety, and to ensure a satisfactory installation, perform all installation steps correctly in the sequence shown.

## ASSEMBLY TIME

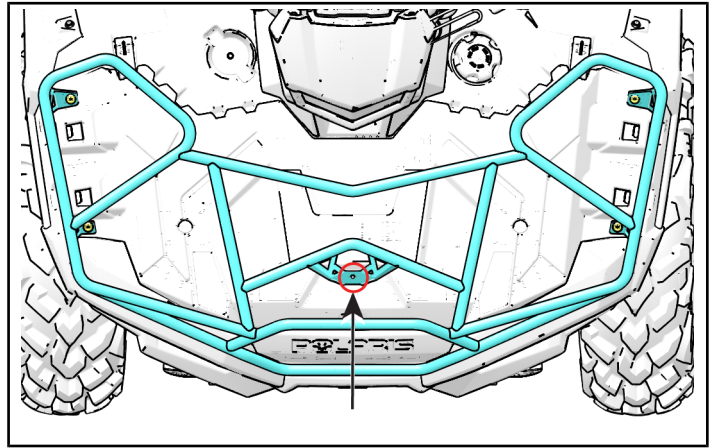
Approximately 18 minutes

## INSTALLATION INSTRUCTIONS

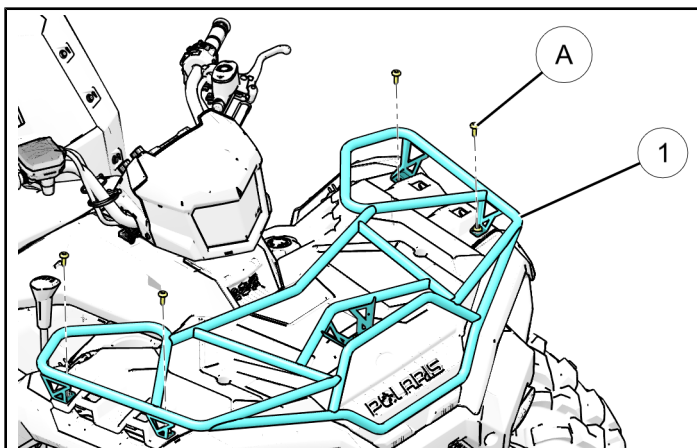
1. Shift vehicle transmission into “PARK”. Turn key to “OFF” position and remove from vehicle.
2. Remove four screws (A) from shown locations. Retain screws for later use.



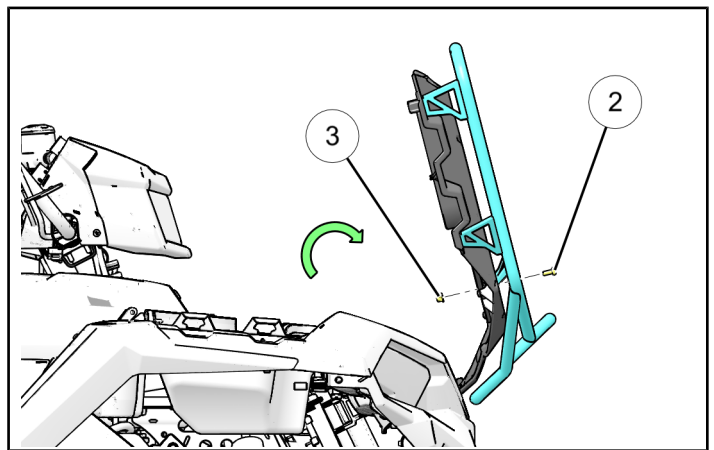
4. Once you have secured the rack you will need to use a drill and 1/4” drill bit to make a new hole for fastening the center support of the rack to the front storage box cover in the location indicated below.



3. Place rack on front storage box cover, align mounting holes and fasten using existing screws (A).



5. After drilling new mounting hole, open front storage box cover to gain access to the underside. Use provided screw (2) and nut (3) to secure center rack mount into position.



6. Check to ensure all tools are accounted for and all steps have been completed.

## FEEDBACK FORM

A feedback form has been created for the installer to provide any comments, questions or concerns about the installation instructions. The form is viewable on mobile devices by scanning the QR code or by clicking [HERE](#) if viewing on a PC.

