

WINDSHIELD FAIRING KIT



P/N 2882512

APPLICATION

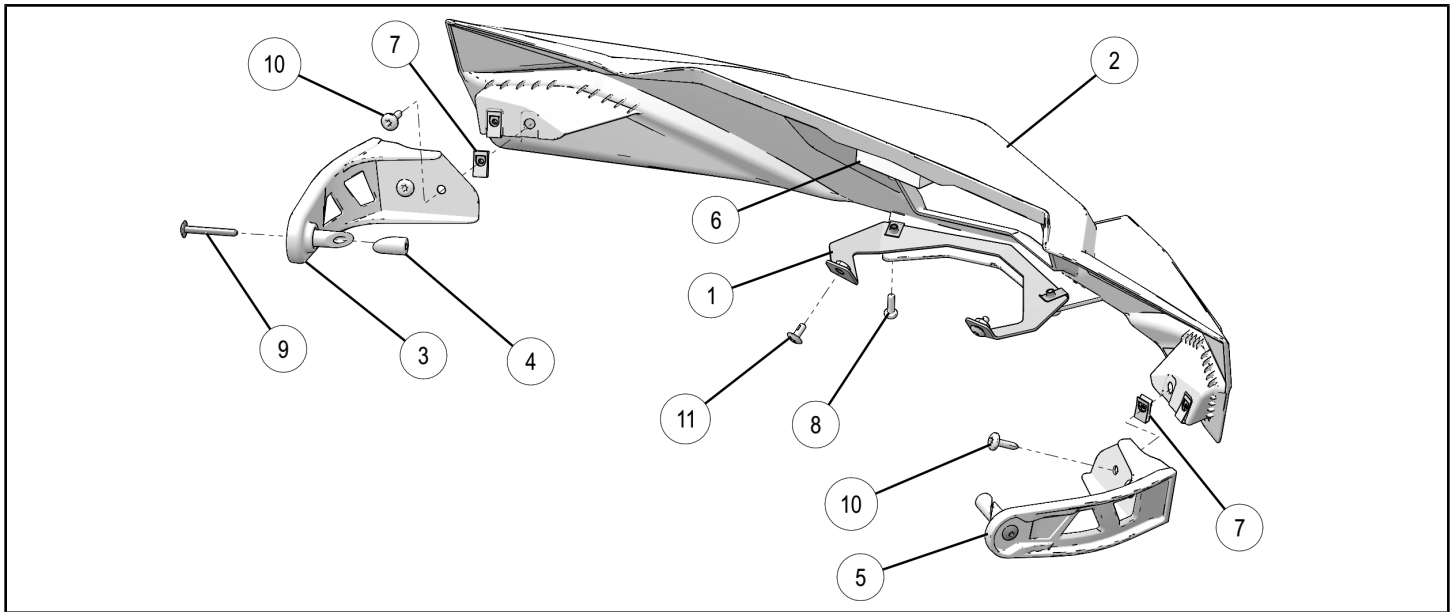
Verify accessory fitment at Polaris.com.

BEFORE YOU BEGIN

Read these instructions and check to be sure all parts and tools are accounted for. Please retain these installation instructions for future reference and parts ordering information.

KIT CONTENTS

This Kit includes:



REF	QTY	PART DESCRIPTION	PART NUMBER
1	1	Fairing Support Bracket	5263748
2	1	Windshield Fairing	5453168
3	1	Main Fairing Mount, LH	5453359
4	2	Slider Fairing Mount	5453360
5	1	Main Fairing Mount, RH	5453579
6	1	Foam, Windshield Support	5814556
7*	6	U-Clip Speed Nut	-
8*	2	Screw, Torx® - M6 X 1.0 X 20	-
9*	2	Screw, Torx® - M6 X 1.0 X 50	-
10*	4	Screw, Torx® - M6 X 1.0 X 25	-
11*	2	Screw, Torx® - M6 X 1.0 X 15	-
	1	Instructions	9927674

Items marked (*) are included in Hardware Kit PN 2206639.

TOOLS REQUIRED

- Safety Glasses
- T25 Torx®
- T40 Torx®
- T30 Torx®
- Ratchet
- Drill and 1/4" Drill Bit

IMPORTANT

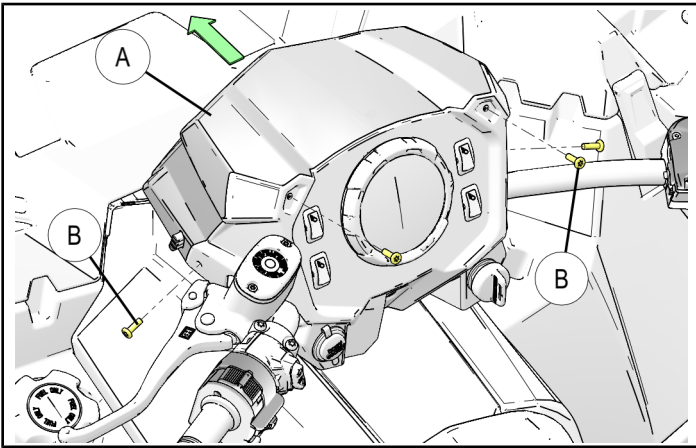
Your WINDSHIELD FAIRING KIT is exclusively designed for your vehicle. Please read the installation instructions thoroughly before beginning. Installation is easier if the vehicle is clean and free of debris. For your safety, and to ensure a satisfactory installation, perform all installation steps correctly in the sequence shown.

ASSEMBLY TIME

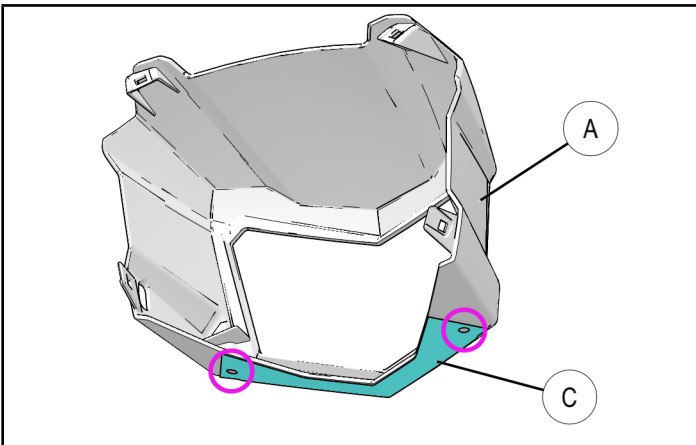
Approximately 15 minutes

INSTALLATION INSTRUCTIONS

1. Shift vehicle transmission into "PARK". Turn key to "OFF" position and remove from vehicle.
2. Remove the front pod cover (A) by removing four screws (B) using T25 Torx® as shown.
4. Attach two U clip speed nuts (7) to fairing support bracket (1) and mount fairing support bracket (1) onto headlight bracket by installing two screws (11). Torque screws (11) to specification.



3. Place template (C) available on last page of instructions on lower surface of front pod cover (A) and mark two hole locations on front pod cover as shown. Drill holes into marked locations using 1/4" drill bit.

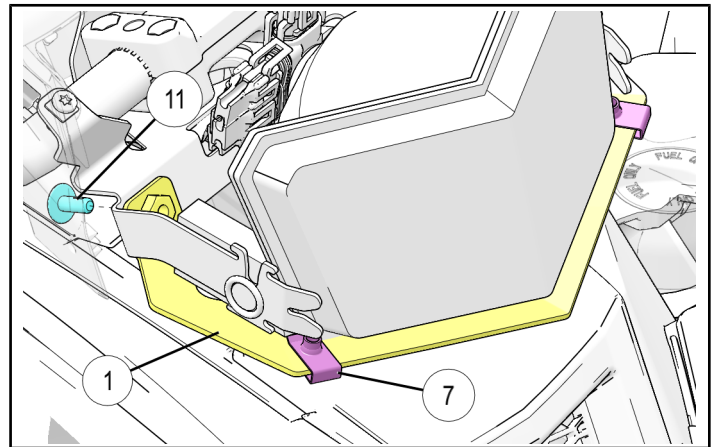


NOTE

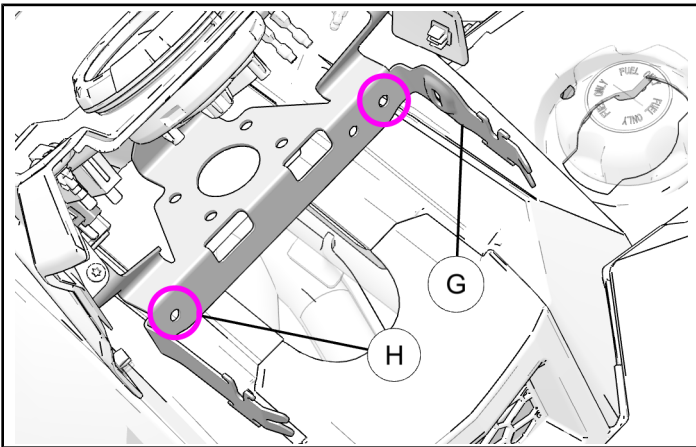
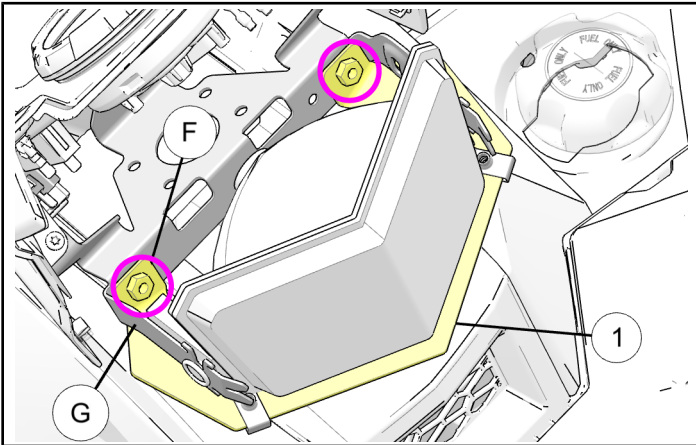
If your headlight bracket does not have mounting holes, follow Step 5 for fairing bracket (1) installation.

TORQUE

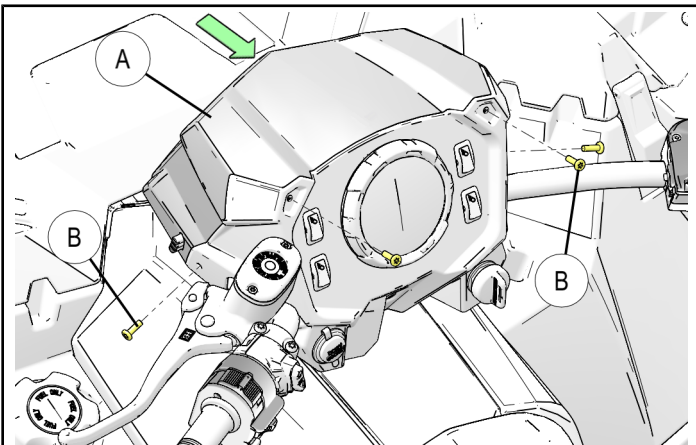
6 ft. lbs. (8.1 Nm)



- Line up the fairing support bracket ① with headlight bracket (G) as shown and mark the two hole locations (F) on headlight bracket (G). Remove the headlight and set aside. Drill two 1/4" holes (H) in locations marked using drill bit. Reinstall headlight and install fairing support bracket ① per instructions in Step 4.



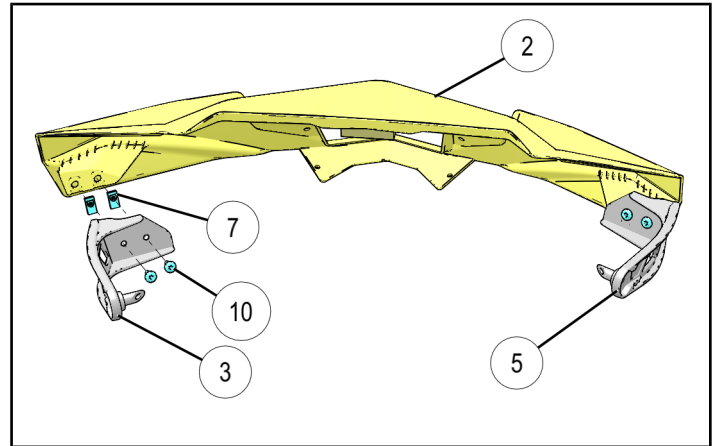
- Reinstall front pod cover (A) back onto the vehicle using screws (B) removed in Step 2. Tighten screws just until snug.



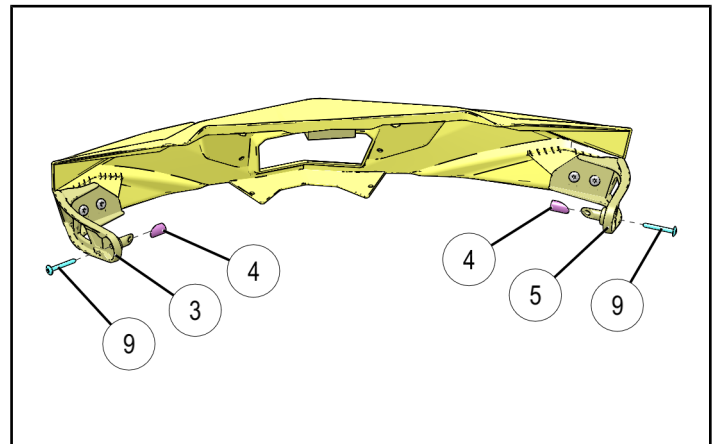
- Install main fairing mounts ③ ⑤ on both sides of the windshield fairing ② by aligning holes and installing U-clip speed nuts ⑦ and screws ⑩ as shown. Tighten screws to specification.

TORQUE

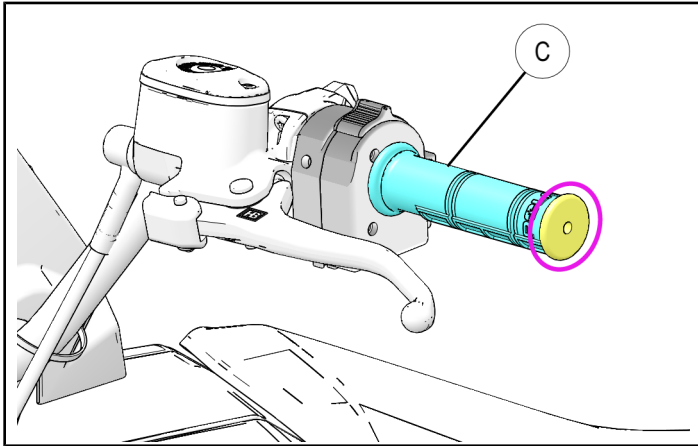
6 ft. lbs. (8.1 Nm)



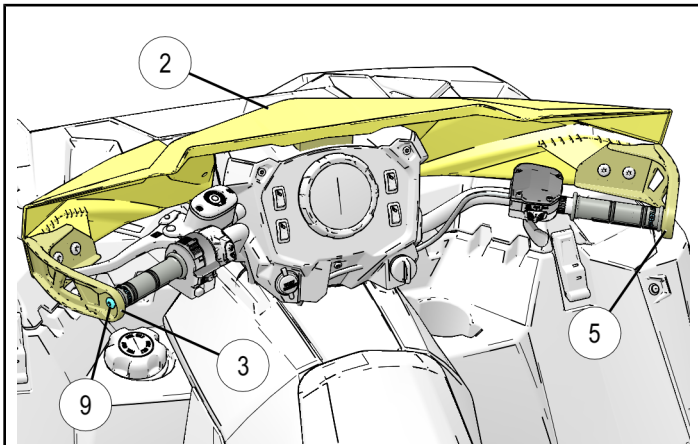
- Loosely install slider fairing mounts ④ onto main fairing mounts ③ ⑤ using screws ⑨ on both sides as shown.



9. Cut the end of grips (C) (highlighted in yellow) on both sides of handlebar using knife or razor blade for fairing mounts ③ and ⑤ installation.



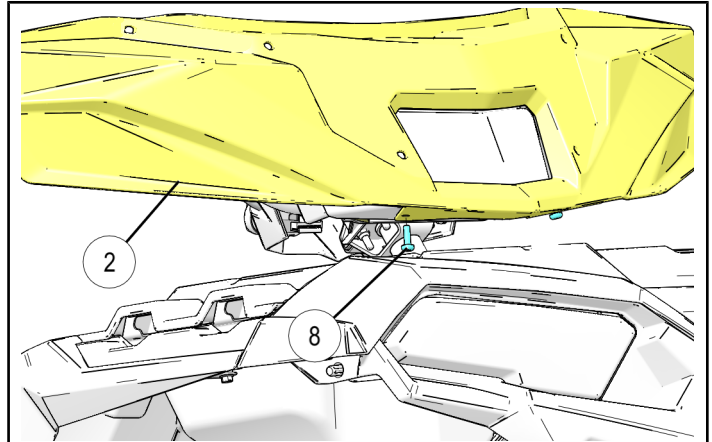
10. Install windshield fairing ② onto the handlebar by inserting end of the fairing mounts ③ ⑤ with previously installed slider mounts ④ inside the handlebar openings as shown. Do not tighten fairing mount screws ⑨ at this stage.



11. Align two holes on lower side of windshield fairing ② with previously drill holes on pod cover (A) and holes on fairing support bracket ① and install two screws ⑧ as shown. Tighten screws to specification.

TORQUE

6 ft. lbs. (8.1 Nm)



12. Tighten fairing mount screws ⑨ on both sides of handlebar at this time to specification. Installation of fairing kit is completed.

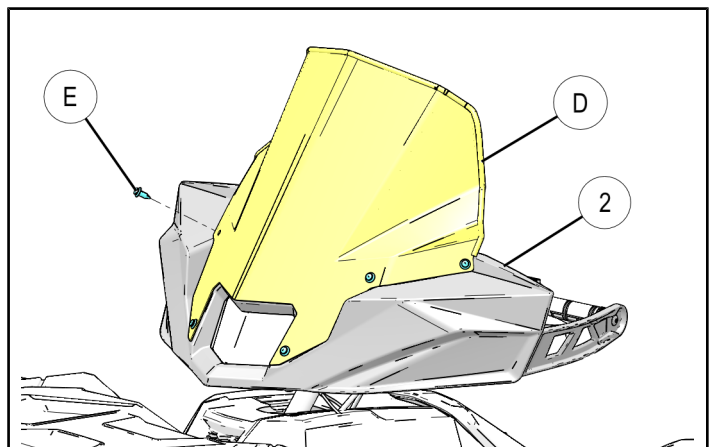
TORQUE

8 ft. lbs. (10.8 Nm)

13. Install windshield (D) on your windshield fairing ② by aligning mounting holes and inserting six push darts (E) as shown.

NOTE

Go to Polaris.com. for a complete list of windshield sizes and offerings.



Template

NOTE

If printing from electronic file and template is not at proper 1:1 scale, then ensure print settings indicate "Actual Size" (not "Fit").

