

PROSPECTOR PRO ATV

ATV TRACK KIT

2014



9925023 - VERSION A

**USER
MANUAL**



POLARIS®

TABLE OF CONTENTS

- SAFETY 1
- TENSIONER WARNING 3
- HINTS AND TIPS 4
- USING THE ATV WITH TRACKS 6
- INSTALLATION, REMOVAL AND RE-INSTALLATION 14
- ADJUSTMENTS 18
- INSTALLATION OF A RUBBER TRACK 31
- BREAK-IN PERIOD 33
- MAINTENANCE SCHEDULE 34
- LUBRICATION 40
- TORQUE SPECIFICATIONS 49
- STORAGE 49
- WEAR 50
- TROUBLESHOOTING 55
- SERIAL NUMBER LOCATION 56
- "CE" DECLARATION OF CONFORMITY 57
- PARTS LISTS middle pages

SAFETY

SAFETY

This guide uses the following symbols to emphasize particular information:

WARNING

Indicates a potentially hazardous situation which, if not avoided, could result in death or serious injury.

CAUTION: Indicates a potentially hazardous situation which, if not avoided, may result in damage to vehicle components.

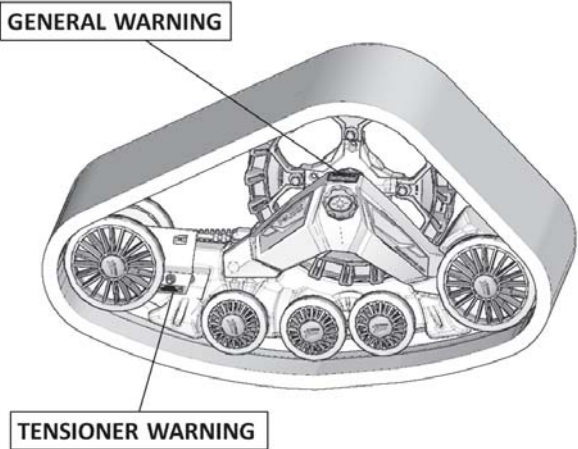
NOTE: Indicates supplementary information.

IMPORTANT

Please read carefully each part of this document as well as model specific Installation Guidelines prior to assembling, installing and using the track system.

WARNING STICKERS




On track system frames, you will find the warning stickers shown in the illustration below. Read the stickers carefully and understand them before using the track systems. They contain important information about safety and proper operation of the track systems.



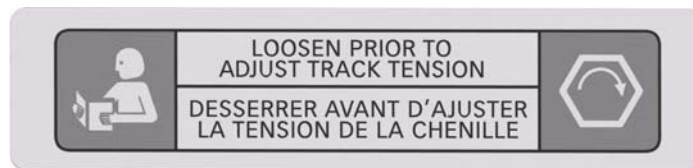
Do not remove the warning stickers from the frame. If a sticker is damaged, have it replaced by an authorized Polaris dealer.



SAFETY

	<p>USER MANUAL - Every user must read the User Manual before attempting to operate a vehicle equipped with track systems. If track systems are sold or in any way transferred to a new user, the <i>User Manual</i> must also be transferred to the new user.</p>
	<p>MOVING PARTS - Hands or fingers caught between moving parts of the equipment present a danger to life or limb. Turn motor off before servicing track systems.</p>
	<p>"MAINTENANCE SCHEDULE" SECTION OF USER MANUAL - Follow instructions contained in the Maintenance Schedule section of the <i>User Manual</i> to ensure safe and long-lasting operation of track systems.</p>

TENSIONER WARNING



TENSIONER BOLT WARNING - The tensioner assembly bolt must be loosened every time track tension adjustment is required. Re-tighten bolt when tension adjustment is complete.

GENERAL INFORMATION

All figures, information or photos presented in this document are up to date at the time of publication. However, they may change without notice.

Read and follow indications of the ATV user manual and installation guidelines carefully. Their contents remains applicable after installing of the System.

This document should be read by every person who drives the ATV equipped with the System.

This document is an integral part of the System. Pass it along to any new System owner.

Consult legal authorities where you drive your ATV equipped with the System before usage to ensure that you respect all applicable laws and regulations.

ATV track systems are designed to reduce ground pressure and increase vehicle traction. However, during normal operating conditions, vehicle speed will be reduced, compared to a wheeled vehicle.

HINTS AND TIPS

Before leaving for an excursion, make sure you have the following within arm's reach: 13 mm, 14 mm, 15 mm, 16 mm, 17 mm and 19 mm wrenches, an axe, a shovel, a tow cable, a lifting jack and an adjustable wrench.

Generally, the slower you go, the better the traction will be.

For riding or excursions in unknown, or remote terrain, make sure you have a cellular phone or satellite phone, a first aid kit and spare parts in your possession.

When driving off trails, always be cautious to the presence of hidden obstacles.

When driving in deep snow, do not intentionally spin the track (tracks keep on turning while the vehicle does not). This could cause the vehicle to get stuck.

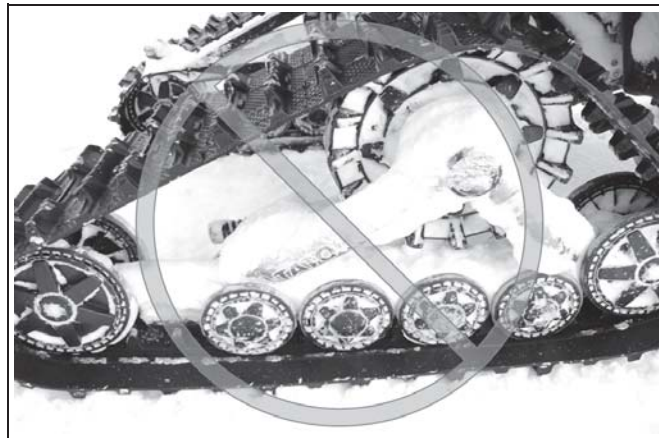
USING THE ATV WITH TRACKS

USING THE ATV WITH TRACKS

When using a vehicle equipped with track systems, it is important to respect the following safety recommendations. As driving a vehicle equipped with track systems is different from driving a vehicle with wheels, it is strongly recommended that the safety guidelines provided below are followed to prevent any accidents and serious malfunctions that could affect the occupants, the vehicle or to the track systems for occurring.

NOTE: Non-compliance with usage recommendations can lead to a warranty claim refusal.

Pre-use inspection



WARNING

Before each ride make sure that all wheels or moving parts of the system are free and that they are not frozen or stuck to the frame.

Steep descents



⚠ WARNING

It is not advisable to change direction during steep descents. This can lead to a serious malfunction of the ATV's steering system and track systems. During a steep descent, it is advisable to keep the handlebars in a forward direction and begin turning when the ATV is on flat ground, thus avoiding subjecting the vehicle components and the system to any high stress.



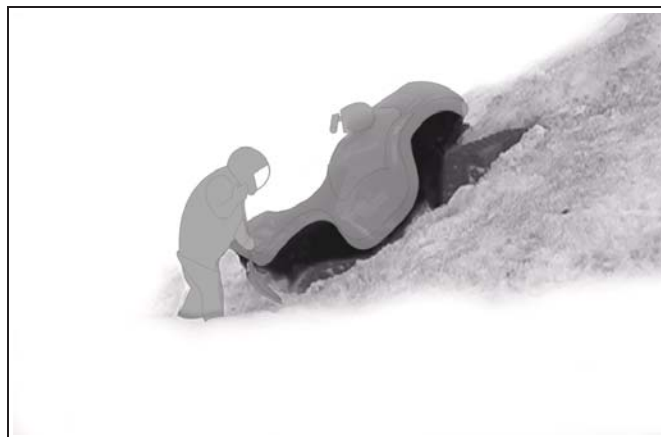
USING THE ATV WITH TRACKS

Descending and being stuck in reverse



WARNING

If the rear track systems get stuck in the snow, avoid moving or towing the vehicle in reverse to ease it from its position, as this could lead to a malfunction of the systems. If possible, move it in the forward direction to free it from the snow. It is advisable to remove the snow from the top of the rear track systems and to compact it using your feet, behind the systems to dislodge the track. Shoveling remains the best alternative in this situation.

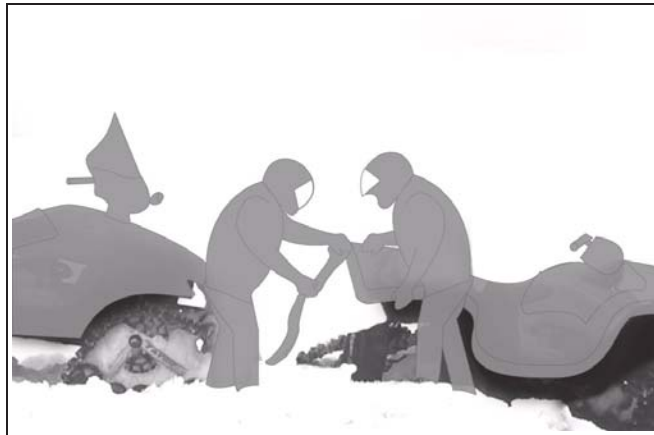


Towing a vehicle out of the snow



⚠ WARNING

If your vehicle must be towed out of the snow, never tow it in the direction in which it sank. Tow the vehicle in the direction of the trail it left as it became stuck.

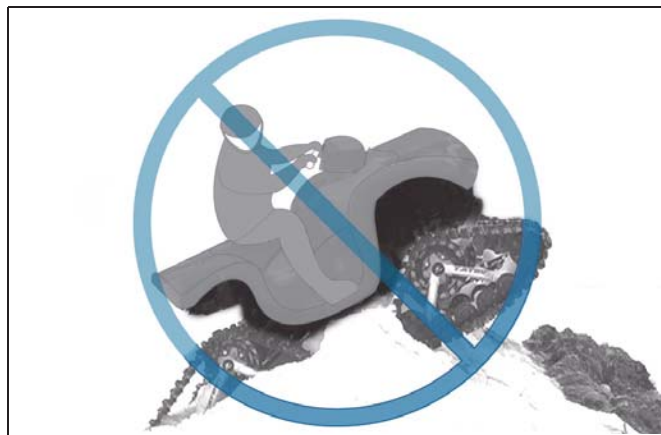


USING THE ATV WITH TRACKS

Driving over an obstacle



Driving over a steep ridge



WARNING

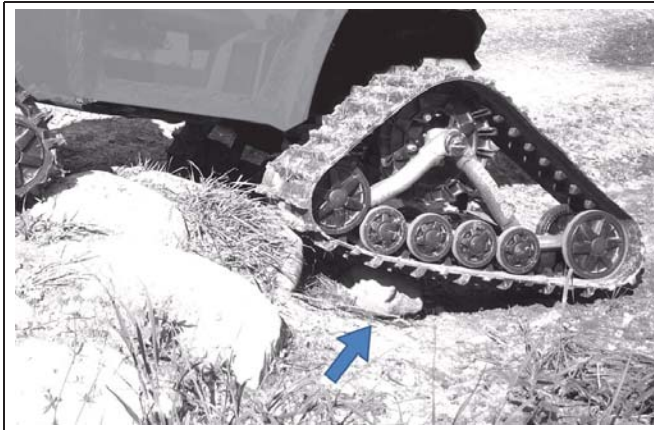
It is not advisable to attempt to drive over an obstacle, such as a tree trunk, a big rock or a steep ridge that could lodge itself between the front and the rear track systems and immobilize the vehicle. The best option remains to bypass this type of obstacle.

Driving over an obstacle of more than 12 inches



⚠ WARNING

It is not advisable to attempt to drive over an obstacle of more than 12 inches, such a tree trunk, a stump or a large rock. If the situation presents itself, insert a log or appropriately sized rock to decrease the height of the obstacle and facilitate driving over it.



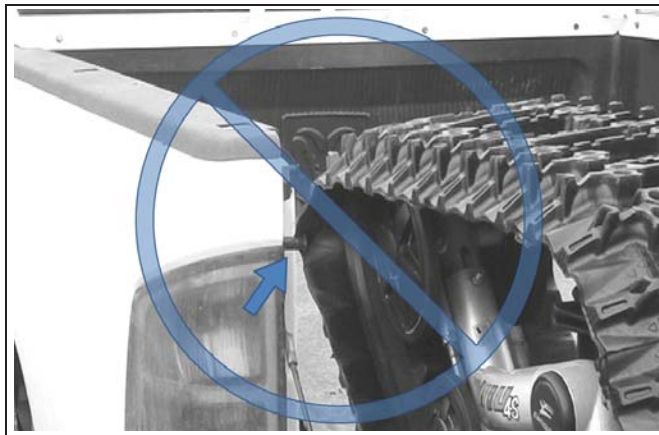
USING THE ATV WITH TRACKS

Loading a vehicle into and unloading it from a truck



WARNING

When a vehicle is being loaded into or unloaded from a truck box, it is extremely important to ensure that the front tracks do not grip the locking gudgeons of the truck's tailgate as this could cause them to tear.



Jumping



⚠ WARNING

It is strictly forbidden to jump with vehicles equipped with track systems. These systems were not designed to carry out this type of operation. An ATV equipped with the system must never be used for the following activities: races, rallies, jumps, stunts, acrobatics or any other extreme applications.

Location of the towing cable

⚠ WARNING

If your vehicle must be towed out of the snow, never secure the cable on the track systems to tow the vehicle, the towing cable must be attached to the vehicle frame.

⚠ WARNING

The driver must remain vigilant and cautious at all times. Powder snow and mud can hide dangerous obstacles.

USING THE ATV WITH TRACKS

WARNING

The driving characteristics of your ATV will change with the installation of the System. It is important to take the time to become familiar with the Systems.

WARNING

It is the driver's responsibility to verify that the air intake of the vehicle is well adapted to weather conditions and is not blocked by snow accumulation.

WARNING

When travelling in groups, people driving behind vehicles equipped with a track system should be warned, as the tracks can propel dangerous objects. Be especially cautious on "rocky" trails.

WARNING

Adapt your driving style to surrounding conditions (weather, traffic, etc.) and to your driving abilities.

WARNING

Allow for a greater braking distance and periodically apply the brakes while driving to prevent ice buildup on brake components.

WARNING

Always follow the ATV manufacturer's safety rules and regulations regarding, for example passengers transportation, maximum loads, etc.

WARNING

It is the driver's responsibility to follow the recommended maintenance schedule described further in this manual.

INSTALLATION, REMOVAL AND RE-INSTALLATION

WARNING

Never place body parts under the vehicle unless it is securely placed on appropriate stands. Severe injuries could occur if the vehicle collapses or moves. Do not use a lifting device as a secure stand.

Always follow good shop practices. The place where you will be working must be security, clean, bright and well ventilated. If you are to use a floor jack, never use it as a stand. Always use appropriate stands. To avoid vehicle movement during operations, place blocks behind wheels that remain in contact with the ground. These recommendations also apply when removing parts.

WARNING

Before beginning the installation, ensure you that the vehicle is immobilized and that the engine is stopped.

WARNING

To avoid any potential burn injury, allow the engine and exhaust pipes to cool before beginning installation of the system.

Read this manual before proceeding with the installation work. Read the “Installation Guidelines” included with the System for installation instructions dedicated to your ATV model.

When the system is removed and when the wheels are reinstalled on vehicle, make sure that you reinstall all the components of origin (wheels, guards, etc.) such as they were in the initial condition on the vehicle.

INSTALLATION, REMOVAL AND RE-INSTALLATION

WARNING

To avoid any injury to your hands during manipulation of the systems, we recommend handling the systems with hands placed on the frame at the positions shown in the figure below.



Installation

Execute all tasks described in Installation Guidelines of the vehicle model. Then, proceed to adjust the angle of attack, alignment and track tension as described in this manual. Test drive the ATV and the adjustments must be verified a second time after the first use, re-adjust as required.

Removal

CAUTION: Leaving anchor brackets attached to suspension arms when the ATV rides on wheels can result in grave damage to the vehicle. Never leave components other than the skid plate and foot rest reinforcement parts.

Using a lifting device, raise the ATV and install appropriate stands. Ensure that the vehicle is immobilized and safe to work on.

INSTALLATION, REMOVAL AND RE-INSTALLATION

- Remove the anti-rotation bracket cover (1) but keep the anchor bracket (2) attached to the anti-rotation device on the track system.

NOTE: Leave anchor bracket (2) attached to stabilizing rod (3).

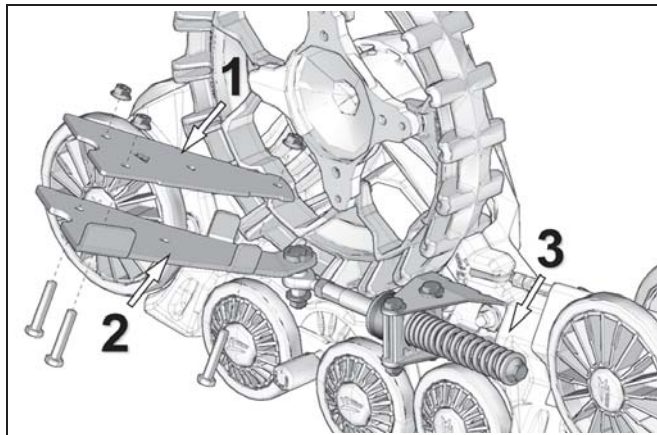


Figure 1

- Remove track systems.
- Re-install wheels.

INSTALLATION, REMOVAL AND RE-INSTALLATION

Re-installation

Always clean wheel hubs on the ATV before installing wheels or track systems.

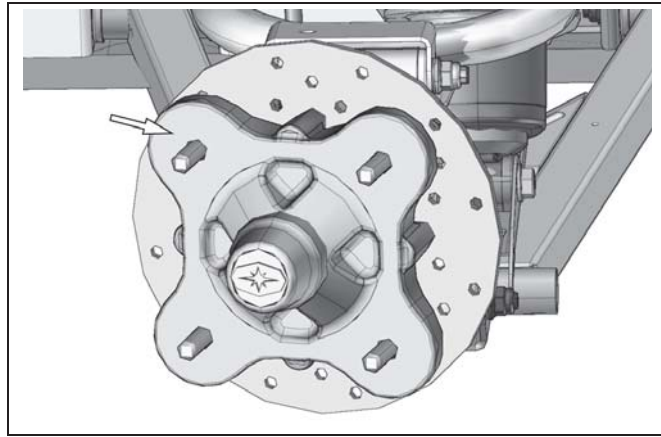


Figure 2

NOTE: Clean wheel hubs.

- Re-install track systems at the rear.
- Re-install track systems at the front.
- Tighten fasteners in criss-cross pattern to the manufacturer's recommended torque specification.
- Verify track tension. Adjust if required.
- Verify angle of attack. Adjust if required.
- Verify alignment. Adjust if required.

ADJUSTMENTS

IMPORTANT

Verifying your adjustments on the system is mandatory after the first use of the vehicle, the track tension, alignment and angle of attack of the each track system must be re-verified. Incorrect adjustments can decrease the performance of the system and create premature wear of certain components

NOTE: To make the following adjustments, position the vehicle on a flat and level surface

Angle of attack for front tracks systems

To obtain the correct angle of attack on front tracks systems, perform the following:

- Use handlebars to point tracks straight ahead.
- Temporarily apply pressure to the front of the track to make sure that it stays flat on the ground.
- Stabilizing arm (1) must be attached to the front anchor bracket (2) installed on the vehicle. See Figure 3.

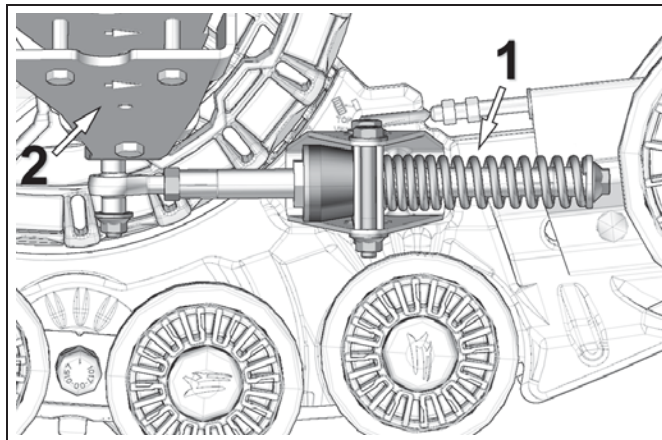


Figure 3

ADJUSTMENTS

- Verify that spring assembly bolt (1) is tightened to the recommended torque [40 N•m] and that stabilizing arm components are installed in the correct order. See Figure 4.

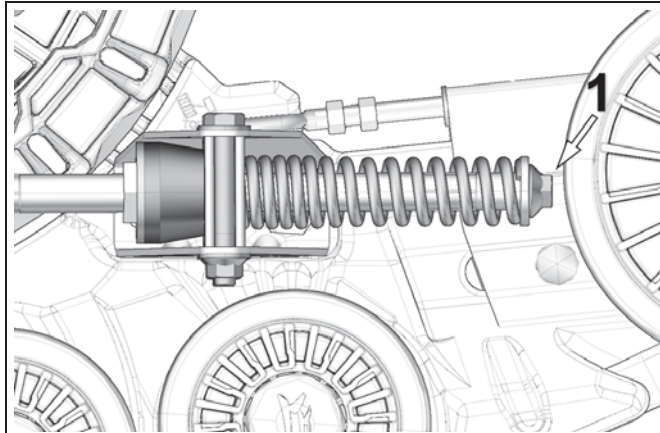


Figure 4

- Position a flat bar across both rear wheels of front track system and measure from the ground up to flat bar as shown on Figure 5.

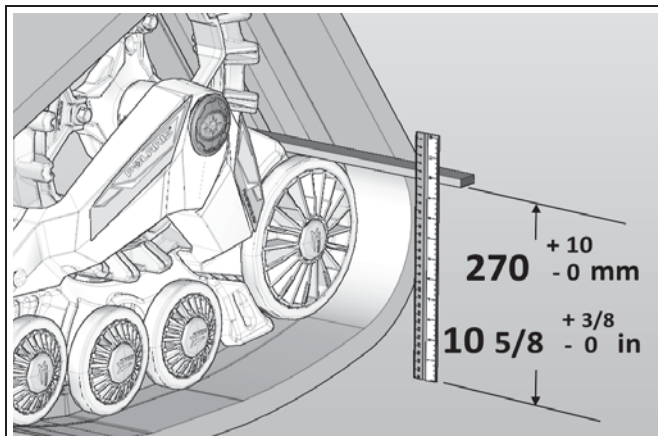


Figure 5

ADJUSTMENTS

- Loosen jam nut (1). Adjust length of rod end (2) by rotating the stabilizing arm (3) to obtain **270 mm [10 5/8 in]** above the ground. Refer to Figure 6.

NOTE: Before each measurement, temporarily apply light pressure to the front of the track to make sure that it stays flat on the ground.

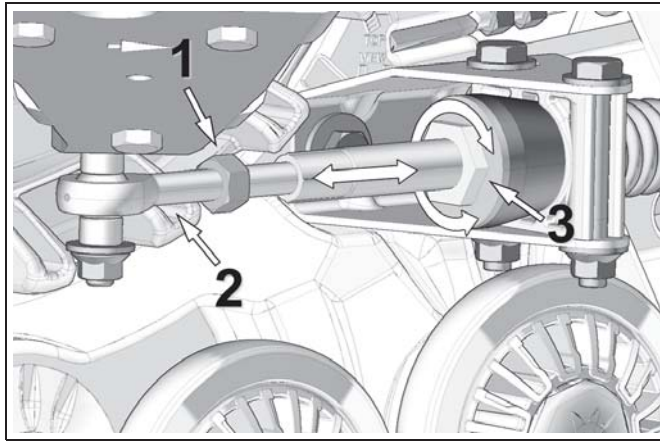


Figure 6

- When angle of attack is correctly set, tighten the jam nut (1) back against the stabilizing arm. See Figure 7.

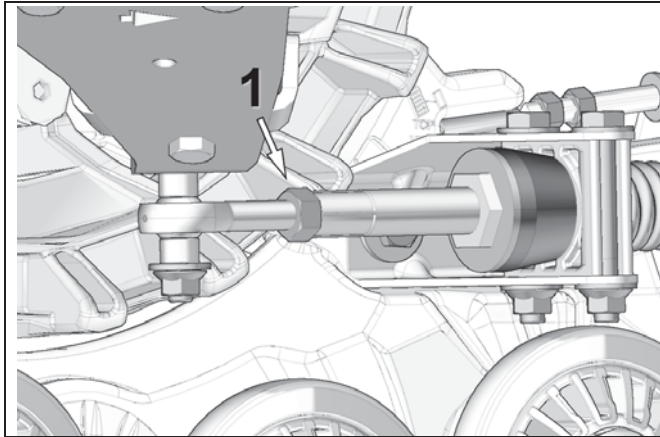


Figure 7

ADJUSTMENTS

Basic Tuning (front track systems):

- An adjustment of more than **270 mm [10 5/8 in]**, measured with the flat bar, provides easier steering and produces a wobbling effect at high speed.
- An adjustment of less than **270 mm [10 5/8 in]**, measured with the flat bar, results in harder steering and more stability at high speed.

NOTE: Once adjustment of the angle of attack on the front systems is completed, verify once again to confirm the adjustment.

Angle of attack for rear track systems

To obtain the correct angle of attack on rear tracks systems, perform the following:

- Stabilizing arm (1) must be attached to the rear anchor bracket (2) installed on the vehicle. See Figure 8.

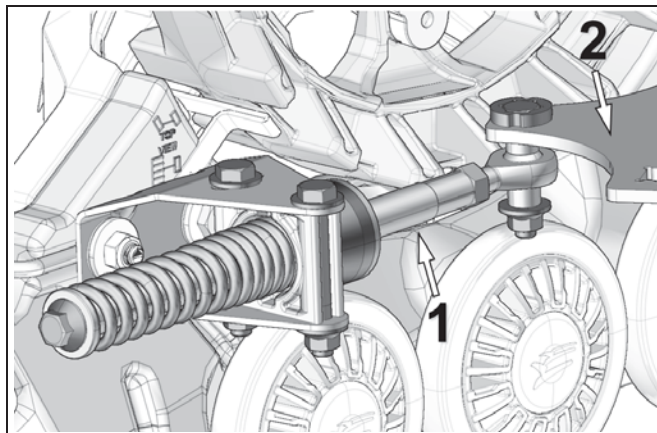


Figure 8

- Verify that spring assembly bolt is tightened to the recommended torque [40 N•m] and that stabilizing arm components are in the correct order (1). See Figure 9.

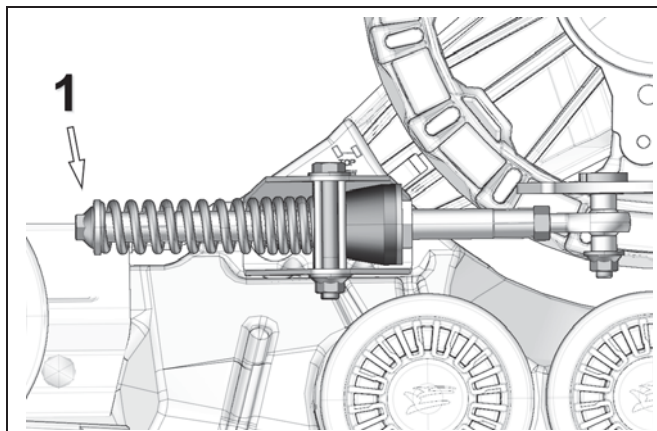


Figure 9

ADJUSTMENTS

- Loosen anti-rotation bracket bolts (1) and (2) to allow the anti-rotation retainer (3) to rotate on its axis. See Figure 10.

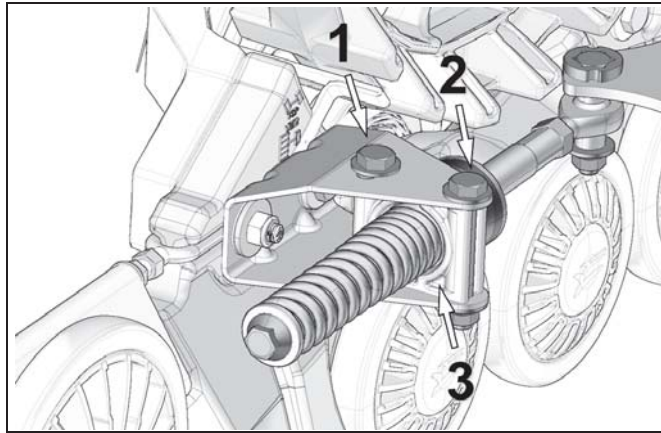


Figure 10

- Loosen jam nut (1). Rotate the stabilizing arm to adjust length of rod end so that no pressure is applied to the rubber cone (2). Refer to Figure 11.

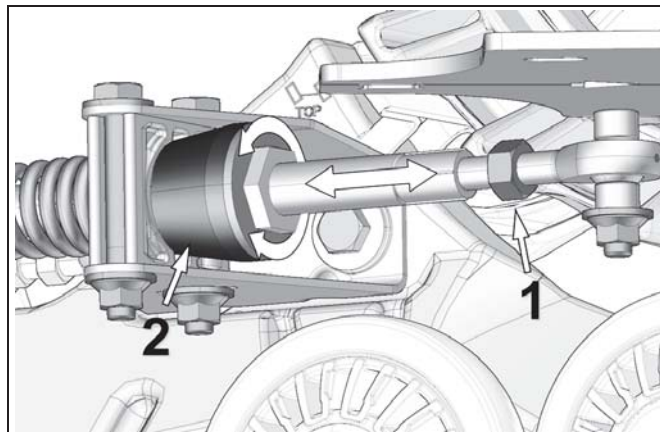


Figure 11

ADJUSTMENTS

- Position the anti-rotation retainer at 90° (perpendicular) with the stabilizing rod. Tighten the two anti-rotation bracket mounting bolts (1 and 2) to 50 N•m of torque. Refer to Figure 12.

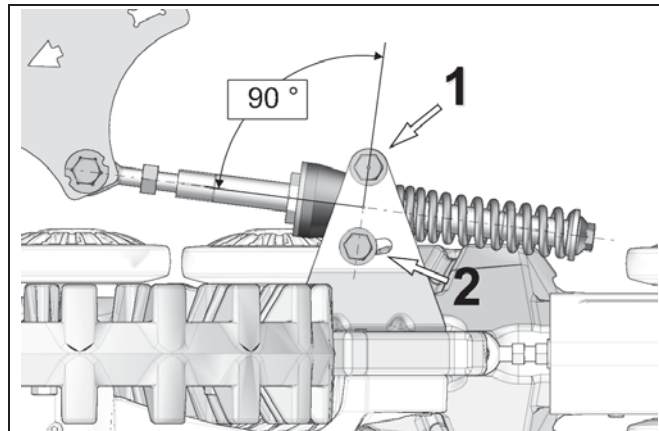


Figure 12

- Turn stabilizing arm nut to adjust length of rod end (1) so that rubber cone (2) applies light pressure on anti-rotation retainer (3). See Figure 13.

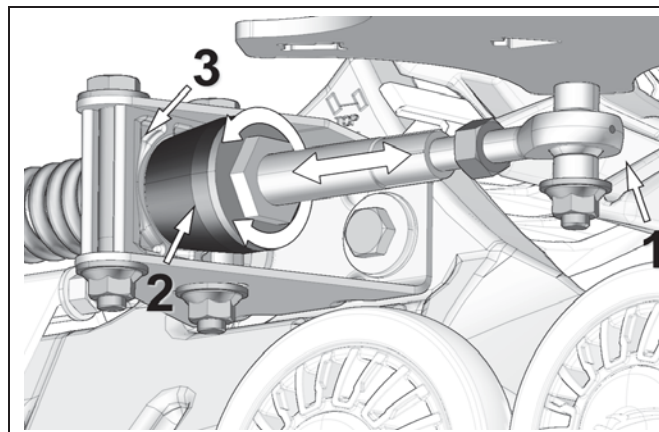


Figure 13

ADJUSTMENTS

- Re-tighten jam nut (1) when adjustment is complete. See Figure 14.

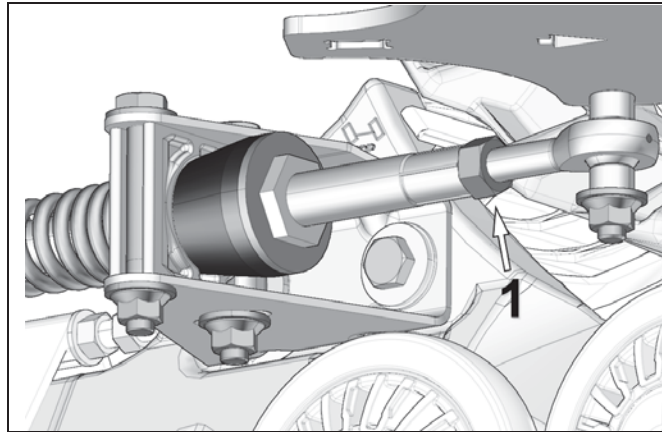


Figure 14

NOTE: Once adjustment of the angle of attack on rear systems is complete, verify once again to confirm the adjustment setting.

Basic tuning (rear track systems):

- A wider gap at the rubber cone bushing provides better obstacle climbing and floatation capability in powdered snow while moving **forward**.
- Compressing the rubber cone bushing helps prevent contact with footrest. A rubber cone too compressed **adversely affects operation** of the track systems.

Alignment

Parallelism must be adjusted with the ATV on the ground, driving forward on about 3 m [10 ft] and measuring toe-in distance. Refer to Figure 15.

NOTE: Every time the measurement has to be verified, drive in reverse, then, drive forward again on about 3 m [10 ft].

NOTE: Verify condition of the steering system components before adjusting parallelism. Damaged components can prevent proper adjustment and impair good operation of the system

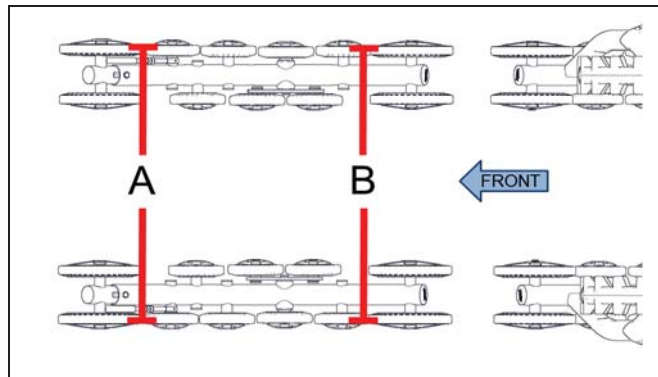


Figure 15

Dimension A: Represents the distance between the outer front idler wheels.

Dimension B: Represents the distance between the outer back idler wheels.

$$A - B = \pm 3 \text{ mm [1/8 in]}$$

ADJUSTMENTS

To perform adjustments on the ATV, first unlock the nut (1) of each tie rod end on the ATV. Then screw or unscrew the rod link (2) equally on both sides of the vehicle.

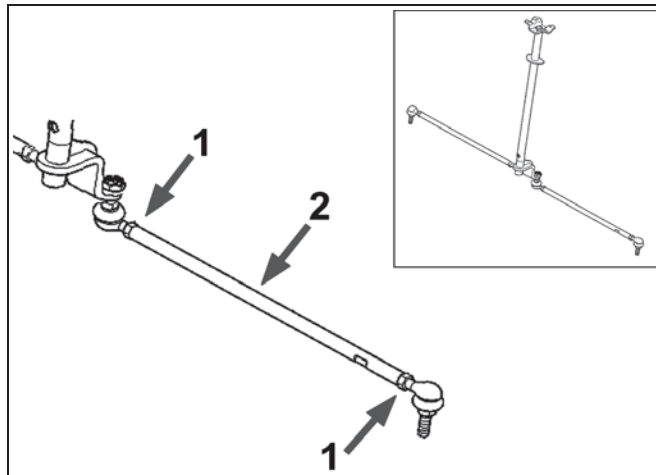


Figure 16

Rubber track tension

To adjust the track tension, loosen the track tensioner nylon nut (1) and loosen jam nut to unlock adjustment nut (2). Turn the 14 mm adjustment nut (2) clockwise or counter-clockwise to adjust the track tension to the recommended specification.

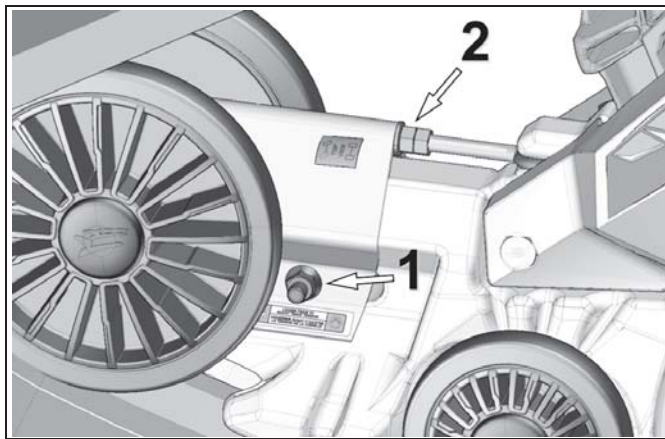


Figure 17

When the track tension adjustment is done, lock adjustment nut with jam nut and tighten the track tensioner assembly nut (1) to the recommended torque.

NOTE: Refer to the exploded views to obtain the recommended tightening torque .

ADJUSTMENTS

The following table indicates the force (1) applied and the deflection (2) which must occur according to the conditions of use.

Season	Track	Force	Deflection
Summer	Front	15 kg	19 mm
	Rear	15 kg	19 mm
Winter (snow)	Front	11 kg	19 mm
	Rear	11 kg	19 mm

NOTE: Use a tension testing tool such as the one shown in Figure 18.



Figure 18

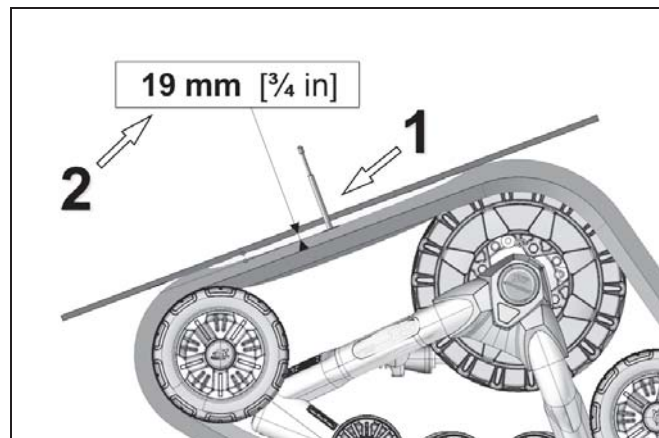


Figure 19

ADJUSTMENTS

Basic tuning

- A higher rubber track tension reduces the risk of “derailing” and reduces drive “ratcheting”.
- A lower rubber track tension provides better performance, better rolling and better fuel economy.

Final check

Ride at slow speed for approximately 1.5 km. Evaluate track system performance and re-adjust as required.

INSTALLATION OF A RUBBER TRACK

INSTALLATION OF A RUBBER TRACK

If possible, position the vehicle on a flat and level surface (or on a suitable lift device). Turn off the engine.

Proceed as follows:

- Loosen track tensioner assembly nut (1).
- Unlock the two 14 mm nuts (2) on the tensioner rod and unscrew them to slide tensioner assembly back to minimum track tension position.

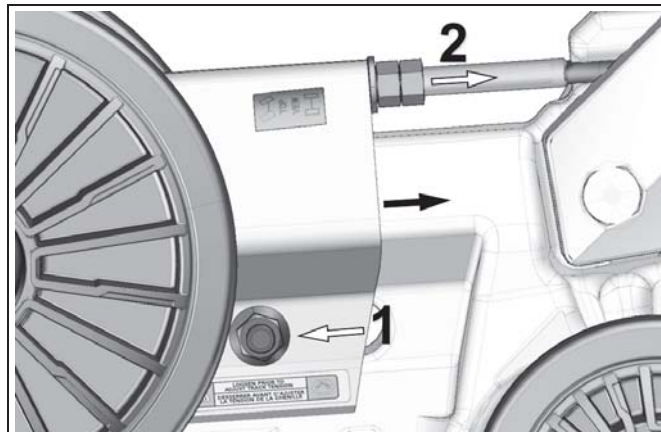


Figure 20

INSTALLATION OF A RUBBER TRACK

- Remove the two 202 mm wheels from the track tensioner. Refer to Figure 21.

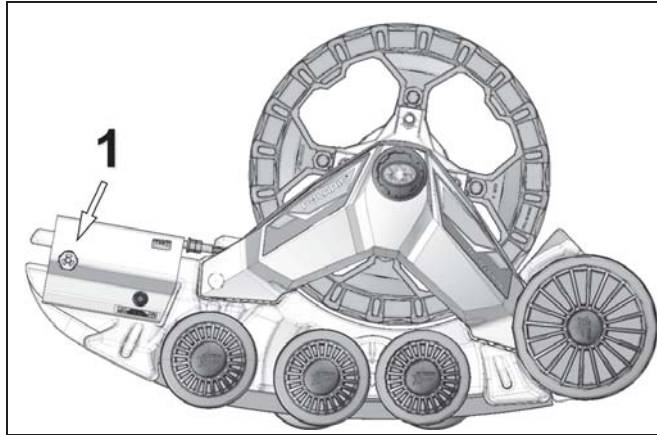


Figure 21

- Install the rubber track. Refer to Figure 22.

NOTE: Look for the mark on the track indicating the correct orientation.

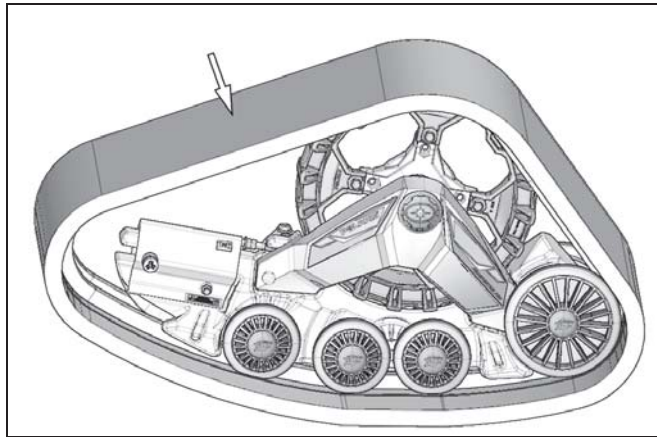


Figure 22

- Re-install the 202 mm wheels.
- Adjust track tension. Refer to "Rubber track tension" on page 28.

BREAK-IN PERIOD

BREAK-IN PERIOD

A break-in period is necessary in order to allow the components of the system to settle themselves in relation to each other.

During the break-in period (4 hours or 80 kilometers), follow these recommendations:

- Avoid riding under dry and clean conditions. (For example: asphalt, hay or straw field, etc).
- Start sharp turns at very low speed: (15 km/h maximum real speed).

BREAK-IN PERIOD				
VERIFICATION	INSTALLATION	1 ST HOUR 15 km/h MAX REAL SPEED	2 ND HOUR 25 km/h MAX REAL SPEED	3 RD HOUR 35 km/h MAX REAL SPEED
VISUAL INSPECTION	X	X	X	X
TRACK TENSION	X	X		
ANGLE OF ATTACK	X	X		
ALIGNMENT	X			X
BOLT TORQUE				X

A **GOOD** break-in period must be done in a lubricated environment such as water, mud, snow, soft soil, sand, dust, etc.

A **BAD** break-in period can generate smoke, odors of burned rubber as well as plastic deposits on the sprocket and/or the frame.

MAINTENANCE SCHEDULE

WARNING

Do not insert hands or feet into or near the System unless the engine is off, and the vehicle is stopped with the security brake engaged. .

WARNING

Regular inspection, adjustment and lubrication of the track systems is essential to their good running order and safe operation. The user is responsible for maintaining and regularly adjusting their track systems. The "Maintenance" section provides the necessary information to perform adequate maintenance on the track systems.

WARNING

Failure to do regular maintenance at the prescribed intervals and perform the preventative adjustments indicated in the maintenance schedule can result in premature wear and important breakage on the track systems that will not be covered under the warranty. The user is responsible to follow the maintenance schedule provided by the manufacturer.

NOTE: It is recommended not using a brake cleaning solvent to clean the track system. This may damage sealing components and stickers.

For optimum performance and maximum durability, please refer to the maintenance chart on the following page:

For more details on the maintenance program, consult *Maintenance specifications* on page 36.

MAINTENANCE SCHEDULE

MAINTENANCE	NORMAL WINTER CONDITIONS					
	INITIAL		INTERVALS		INTERVALS	
	BEFORE USE	10-HOUR MARK	20-HOUR MARK	EVERY 25 HOURS	EVERY 40 HOURS	EVERY 50 HOURS / ANNUAL
SYSTEM - VISUAL INSPECTION	INSPECT	CLEAN / INSPECT	CLEAN / INSPECT	CLEAN / INSPECT	CLEAN / INSPECT	CLEAN / INSPECT
SYSTEM - ADJUSTMENTS	ADJUST		INSPECT / ADJUST	INSPECT / ADJUST	INSPECT / ADJUST	INSPECT / ADJUST
SYSTEM - VEHICLE ALIGNMENT	ADJUST		INSPECT / ADJUST	INSPECT / ADJUST	INSPECT / ADJUST	INSPECT / ADJUST
SYSTEM - BOLT TORQUE			INSPECT / ADJUST	INSPECT / ADJUST	INSPECT / ADJUST	INSPECT / ADJUST
TRACK - TENSION		ADJUST				
TRACK - WEAR						
WHEELS - SIDE WEAR					INSPECT	INSPECT
WHEELS - BEARINGS			INSPECT			INSPECT / REPLACE
WHEELS - SEAL LUBRICATION				LUBRICATE		LUBRICATE
FRAME - HUB BEARINGS					INSPECT	REPLACE
FRAME - HUB BEARING SEAL					INSPECT	INSPECT / REPLACE
FRAME - TRACK GUIDE WEAR					INSPECT	INSPECT / REPLACE
FRAME - STABILIZERS						INSPECT / REPLACE
FRAME - CRACKS						INSPECT
SPROCKET - WEAR					CLEAN / LUBRICATE	INSPECT
ANTIROTATION - LUBRICATION						CLEAN / LUBRICATE
ANTIROTATION - BOLT TORQUE		INSPECT / ADJUST			INSPECT / ADJUST	INSPECT / ADJUST
ANTIROTATION - CRACKS / DEFORMATION						INSPECT
VEHICLE - SUSPENSION ARM BOLT TORQUE		INSPECT / ADJUST				INSPECT / ADJUST
VEHICLE - STEERING COLUMN		INSPECT / ADJUST				INSPECT / ADJUST
INDUSTRIAL / COMMERCIAL USE / ABRASIVES CONDITIONS						
MAINTENANCE	INITIAL		INTERVALS		INTERVALS	
	BEFORE USE	10-HOUR MARK	20-HOUR MARK	EVERY 25 HOURS	EVERY 40 HOURS	EVERY 50 HOURS / ANNUAL
	BEFORE USE	10-HOUR MARK	20-HOUR MARK	EVERY 25 HOURS	EVERY 40 HOURS	EVERY 50 HOURS / ANNUAL
SYSTEM - VISUAL INSPECTION	INSPECT	CLEAN / INSPECT	CLEAN / INSPECT	CLEAN / INSPECT	CLEAN / INSPECT	CLEAN / INSPECT
SYSTEM - ADJUSTMENTS	ADJUST	INSPECT / ADJUST	INSPECT / ADJUST	INSPECT / ADJUST	INSPECT / ADJUST	INSPECT / ADJUST
SYSTEM - VEHICLE ALIGNMENT	ADJUST	INSPECT / ADJUST	INSPECT / ADJUST	INSPECT / ADJUST	INSPECT / ADJUST	INSPECT / ADJUST
SYSTEM - BOLT TORQUE		INSPECT / ADJUST	INSPECT / ADJUST	INSPECT / ADJUST	INSPECT / ADJUST	INSPECT / ADJUST
TRACK - TENSION		INSPECT / ADJUST				
TRACK - WEAR					INSPECT	INSPECT
WHEELS - SIDE WEAR		INSPECT				INSPECT / REPLACE
WHEELS - BEARINGS			INSPECT			INSPECT / REPLACE
WHEELS - SEAL LUBRICATION				LUBRICATE		LUBRICATE
FRAME - HUB BEARINGS					INSPECT	REPLACE
FRAME - HUB BEARING SEAL					CLEAN / LUBRICATE	INSPECT / REPLACE
FRAME - TRACK GUIDE WEAR					INSPECT	INSPECT / REPLACE
FRAME - STABILIZERS						INSPECT
FRAME - CRACKS						INSPECT / REPLACE
SPROCKET - WEAR						LUBRICATE
ANTIROTATION - LUBRICATION						REPLACE
ANTIROTATION - BOLT TORQUE		INSPECT / ADJUST				INSPECT / REPLACE
ANTIROTATION - CRACKS / DEFORMATION						INSPECT / REPLACE
VEHICLE - SUSPENSION ARM BOLT TORQUE		INSPECT / ADJUST				INSPECT / REPLACE
VEHICLE - STEERING COLUMN		INSPECT / ADJUST				INSPECT / ADJUST

MAINTENANCE SCHEDULE

Maintenance - Tasks

- **Inspect**: Component(s) must be examined with care. If an anomaly is noticed, the malfunctioning component(s) must be repaired or replaced.
- **Clean**: Component(s) must be cleaned of any dirt, dust or contaminant liable to impair the proper operation of the track system.
- **Adjust**: Component(s) must be adjusted or re-adjusted according to the manufacturer's adjustment recommendations. Refer to the relevant section of the *User Manual*.
- **Lubricate**: Component(s) need to be lubricated according to the manufacturer's recommendations. Refer to the relevant section of the *User Manual*.
- **Replace**: Component(s) must be replaced to avoid serious breakage.

Maintenance - Specifications

System

- **Visual inspection**: Visually inspect each track system to detect any defect or anomaly that can impair proper functioning of the systems.
- **Adjustment** : Perform or verify the attack angle adjustments on the systems according to the manufacturer's recommendations. Refer to the "Adjustments" section of the *User Manual* on page 18.
- **Vehicle alignment**: Make or verify the adjustments (vehicle alignment) on the systems according to the manufacturer's recommendations. Refer to the "Alignment" section of the *User Manual* on page 26.
- **Bolt torque**: Check the torque of critical bolts identified in the exploded views of the system. Refer to the central pages of the *User Manual*.

NOTE: Comply with the tightening torque recommendations and use threadlocker liquid if you come across a bolt not tightened to the manufacturer's recommendations.

MAINTENANCE SCHEDULE

Track

- **Tension:** Perform or check track tension on the systems according to the manufacturer's recommendations. Refer to the "Rubber track tension" section of the *User Manual* on page 28.
- **Wear:** Check wear and overall condition of the tracks on the systems. Refer to the "Wear" section of the *User Manual* on page 52.

NOTE: A damaged track can result in premature wear of the system's components.

Wheels

- **Side wear:** Check side wear on system's wheels. Refer to the "Wear" section of the *User Manual* on page 50. Replace wheel(s) if wear is too great.
- **Bearings:** Check wheel bearings for restriction, noise or abnormal play in rotation. Replace wheel if it shows one of these defects.
- **Wheel seal lubrication:** Wheel seals must be cleaned of any dirt or contaminant and lubricated according to the manufacturer's recommendations. Refer to the "Lubrication" section of the *User Manual* on page 41. If a seal shows damage or any defect, it must be replaced.

NOTE: Lubrication done at the recommended intervals allows the wheel seals to maintain optimal sealing action and prolongs the useful lifespan of the wheels.

Frame

- **Hub bearings:** Check hub bearings for restriction, noise or abnormal play in rotation. Bearings must absolutely be replaced if they present a defect.

NOTE: Always replace both bearings at the same time when replacement of a bearing is performed.

- **Hub bearing seal:** The maintenance chart recommends cleaning and lubricating the hub seal. Refer to the "Lubrication" section of the *User Manual* on page 42.

NOTE: Lubrication done at the recommended intervals allows the hub seal to maintain optimal sealing action and prolongs the lifespan of the hub bearings.

MAINTENANCE SCHEDULE

- **Track guide wear:** Check wear on track guides. Refer to the “Wear” section of the *User Manual* on page 52. Replace guides if wear is too great.
- **Stabilizers:** Verify condition of rubber cones on the stabilizer assembly of front systems and wheel axle assembly of rear systems. If the cone bores show oval-shaped wear, they must be replaced.
- **Cracks:** Visually inspect the frames for presence of cracks or defects that can impair proper operation of the systems. Replace components if damaged.

Sprocket

- **Wear:** Check wear of sprockets on the systems. Refer to the “Wear” section of the *User Manual* on page 53. Replace if wear is too great.

Anti-rotation

- **Lubrication:** The maintenance chart recommends cleaning and lubricating the anti-rotation arms. Refer to the “Lubrication” section of the *User Manual* on page 48.
- **Bolt torque:** Verify torque of assembly bolts on anchor brackets and anti-rotation arms at the recommended intervals specified by the maintenance chart.
- **Cracks, bent parts:** Visually inspect anti-rotation arms for presence of cracks or bent parts that can impair proper functioning. Replace components if damaged.

MAINTENANCE SCHEDULE

WARNING

After use in an extreme environment (mud and water) and at annual inspection of all bearings, please remember that the bearings cannot be re-greased like snowmobile bearings. If they need to be serviced, replace the wheel completely. Some of the components (i.e. 134 mm wheels) need a special tool for servicing. Please use appropriate tools to avoid any damage to your component.

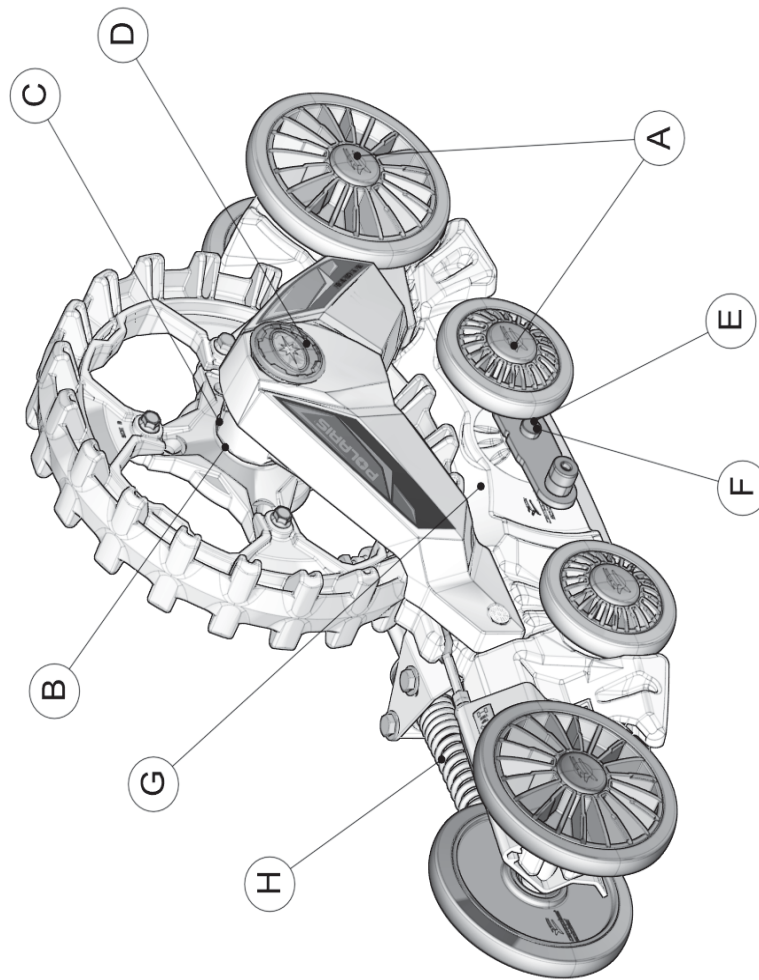
CAUTION: When pressure washing the track systems, care must be taken to keep the water stream away from wheel bearing seals and rubber caps.

CAUTION: If stabilizer rubber cone bores show sign of wear and oval deformation, they must be replaced along with the bolt and washer.

CAUTION: Hub bearings should be checked, and replaced as needed. Bearings that make noise and restrict rotation of hub are indications that they must be replaced.

CAUTION: Stabilizing rod and spring should be greased with a lubricant like motorcycle chain lube or its equivalent.

LUBRICATION



LUBRICATION

LUBRICATION

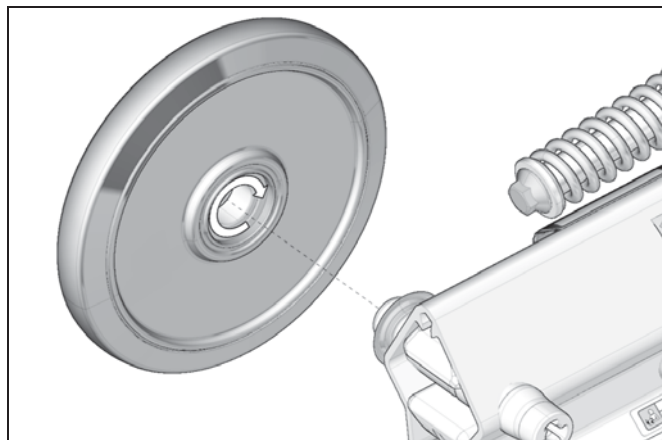
The Maintenance Schedule chart on page 35 includes lubrication maintenance that should be performed on track systems. Refer to the following recommendations for optimal lubrication.

NOTE: Use a water-resistant anti-friction synthetic grease. Aerochem MF grease is recommended.

REFERENCE "A"

LUBRICATION OF 134 mm AND 202 mm WHEELS

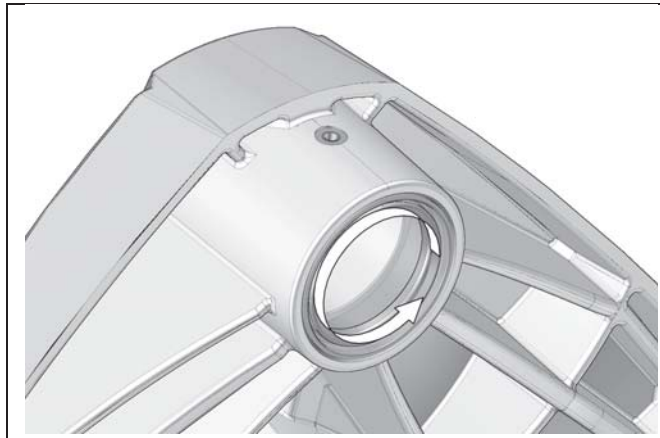
Apply evenly 1 to 1.5 cc (cubic centimeter) of grease over the entire circumference (360°) of the inner steel washer.



REFERENCE “B”

LUBRICATION OF HUB BEARING SEALS

Apply evenly 1.5 to 2 cc (cubic centimeter) of grease between the hub seal's lips and over its the entire circumference (360°)



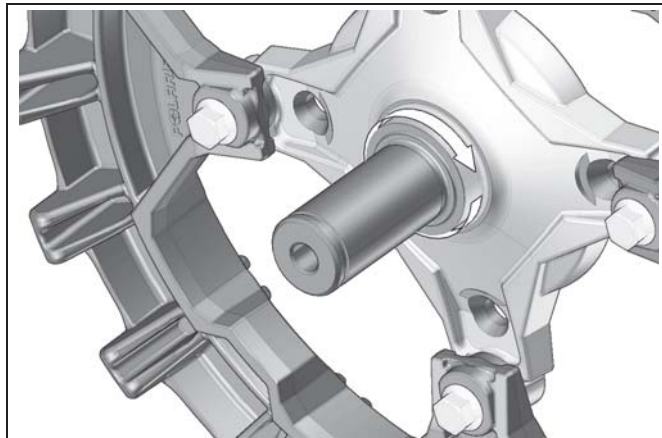
IMPORTANT : The hub seal must not extend beyond the hub face. It should be installed flush with the hub face.

LUBRICATION

REFERENCE "C"

LUBRICATION OF THE HUB SPEED SLEEVE

Apply 1 to 1.5 cc (cubic centimeter) of grease over the entire width and circumference (360°) of the hub speed sleeve.



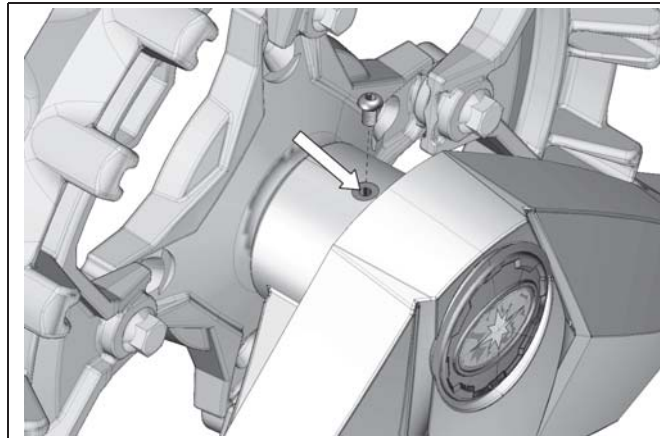
REFERENCE “D”

HUB LUBRICATION

Remove small bolt on top of the system’s frame and pour 10 to 12 cc of 80w90 grade oil on hub shaft through tapped hole.

⚠ WARNING

Be careful not to use too much oil. An excessive amount of oil could damage the seal and cause oil leakage.

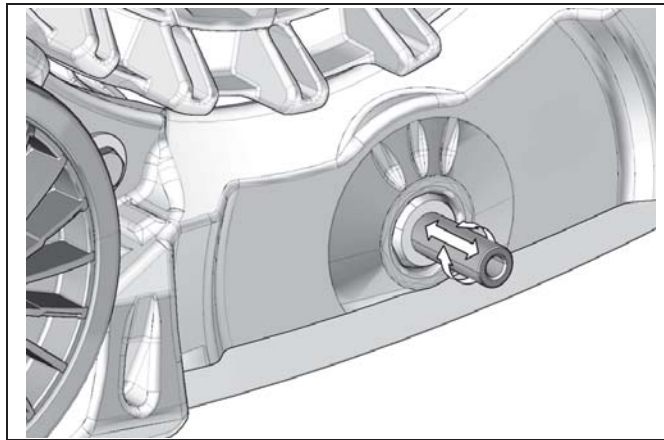


LUBRICATION

REFERENCE "E"

STABILIZER SHAFT LUBRICATION

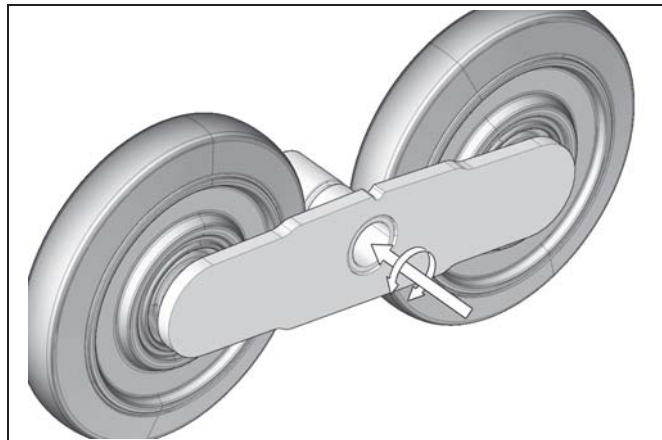
Apply evenly 1 to 1.5 cc (cubic centimeter) of grease all around (360°) the stabilizer shaft and over its entire length.



REFERENCE "F"

STABILIZER BORE LUBRICATION

Apply evenly 1 to 1.5 cc (cubic centimeter) of grease inside the stabilizer shaft bore, over its entire length and circumference (360°).

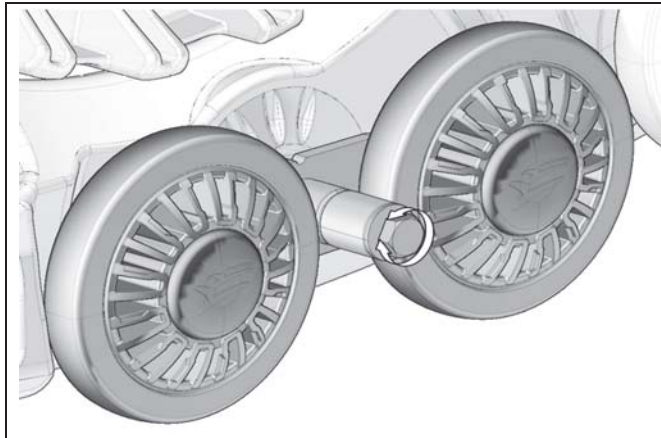


LUBRICATION

REFERENCE "G"

STABILIZER BOLT HEAD LUBRICATION

Apply evenly 0.75 to 1.5 cc (cubic centimeter) of grease on the stabilizer mounting bolt head. Apply over the entire circumference (360°).

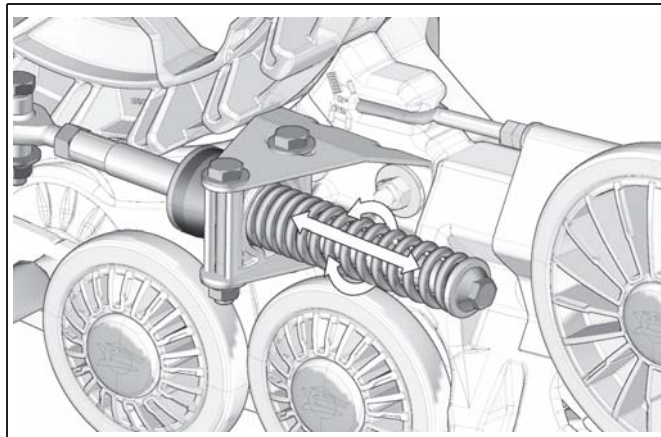


REFERENCE “H”

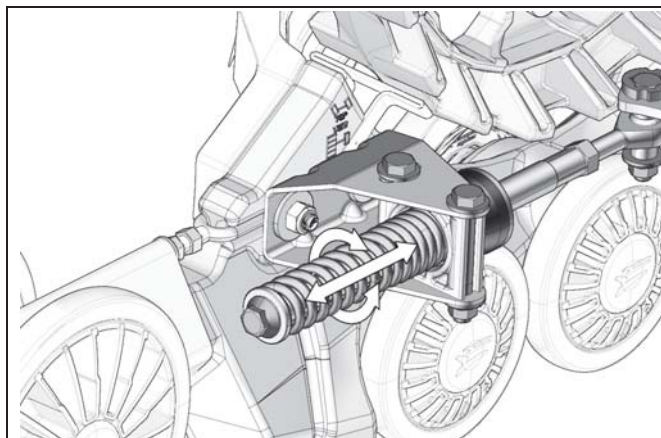
LUBRICATION OF STABILIZING ARMS

Apply spray lubricant (e.g. motorcycle chain grease) all around the stabilizing arm compression spring and over its entire length.

FRONT SYSTEMS



REAR SYSTEMS



TORQUE SPECIFICATIONS

TORQUE SPECIFICATIONS

Refer to the exploded views at the end of the Manual to obtain torque specifications applied to bolts at important points on the track system.

NOTE: Use a threadlocker (Loctite 263 type or its equivalent) at the indicated places in the exploded views of the system.

WARNING

Overtightening the bolts of some parts may damage them and security features may be affected.

STORAGE

The best way to store the System is to lay down each frame on its side, away from direct sunlight.

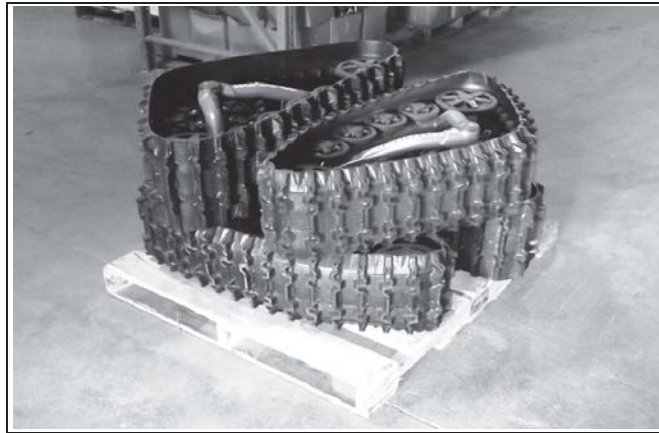


Figure 23

WEAR

Wheel

Verify wheel wear especially on the interior guiding strip (see Figure 24). If the internal plastic structure is visible, the rubber coating is worn and the wheel must be replaced (see Figure 25), or when the width of the wheel's rolling band reaches 17 mm, (see Figure 26: 20.5 mm when new). A wheel that is excessively worn will not offer enough support for track guidance.

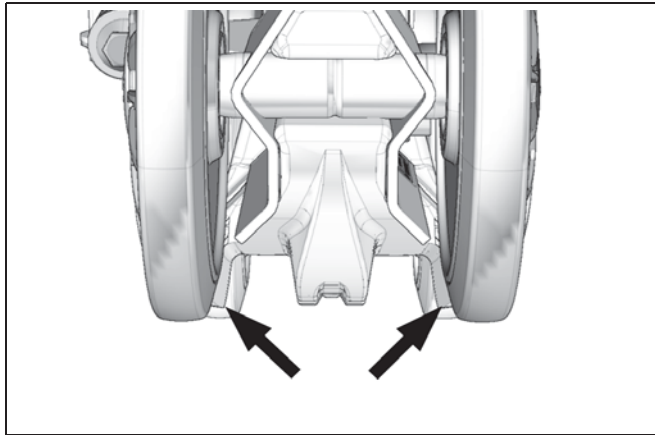


Figure 24

WEAR

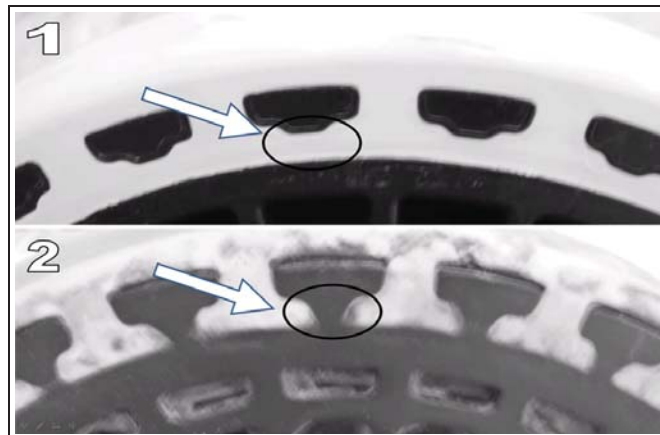


Figure 25

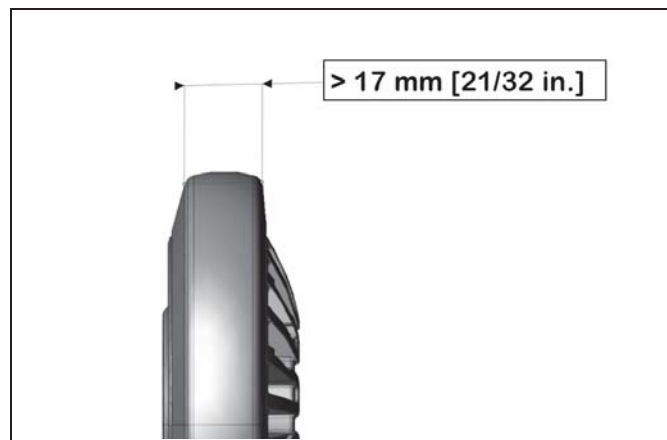


Figure 26

Track guide

Verify the wear of the track guide by measuring the width of the guide. If dimensions of the guide illustrated in Figure 27 are less than 5 mm, at any place, replace the part. If the guiding strips are so worn that the concave shape is no longer visible, replace the part. An overly worn track guide could prematurely wear the other components of guidance of the system.

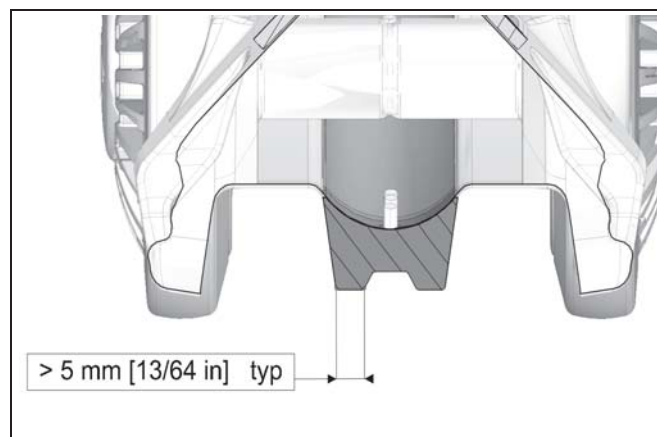


Figure 27

Track

Verify the wear of the track by inspecting the rolling path, the driving lug, the profile and the internal and external condition of the track's carcass. Make sure that the track's internal structure are not visible at cuts or worn area. Too much wear could cause damage to the wheels and to the track guide.

WEAR

Sprocket

Check sprocket wear by measuring the part as illustrated on Figure 28. Replace the part when dimensions are less than 19 mm. Excessive wear could lower track drive efficiency and reduce the system's performance.

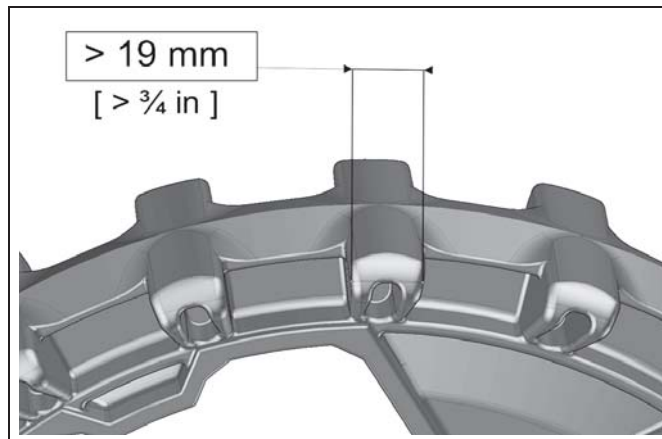


Figure 28

Anti-rotation

Verify the wear of anti-rotation system, mainly at the ball joint (Figure 29) to make sure that it is not seized or extremely loose. Ball joint damage could harm the performance of the track system.

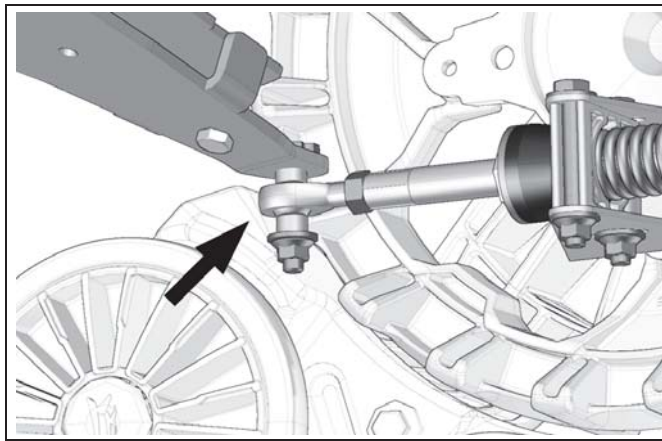


Figure 29

Check if ball rotates freely in ball housing and check also that there is not excessive play between ball and ball housing (Figure 30).



Figure 30

TROUBLESHOOTING

TROUBLESHOOTING

TROUBLESHOOTING		
<i>Problem</i>	<i>Potential cause</i>	<i>Correction</i>
Abnormal vibration	Presence of debris in the system.	Remove any debris which could prevent the proper operation of the system
	Severe and localized wear of a wheel (flat spot)	Replace the part
	Frozen sprocket or wheel	Remove the ice/snow build-up. Storing the vehicle at temperatures higher than 0 °C might be required. An optional Sprocket Scraper kit is available. Contact Customer Service.
	Beginning of derailing	Check tensioner alignment. Make sure that the track is well guided by the wheels and the track guide. Realign the system if it's needed.
	The presence of dirt on the ATV during the installation of the system could cause a bad seating of mating surfaces of the hubs of the ATV and the track system.	Remove the system and clean the contact surfaces between the hubs.
	Hub or wheel bearing damaged	Replace the damaged bearing. (Replacement of bearings is recommended at 100-hour intervals)
	Hub of the ATV or of the track system deformed following an impact or abusive use	Replace the deformed part
Unstable behavior	Incorrect adjustment of the track system's angle of attack.	Adjust the angle of attack according to the manufacturer's specifications. (Refer to the "Adjustments" section of the User Manual)
	Track tension too high	Adjust track tension. (Refer to the "Adjustments" section of the User Manual)
Overheating of system guiding components (burned rubber odor)	Wrong alignment of the system	Correct the system alignment (Refer to the "Adjustments" section of the User Manual)
	Wheel blocked	Try to free the wheel and replace if necessary
	Constant turn	Vary your turning radius and seek areas which can lubricate the system
	Uninterrupted use of the system in paths with ruts	Vary your line (out of the ruts) and seek zones which can lubricate the system
Loss of power	Track tension too high	Clean the sprocket of mud, snow or any contaminants build-up. An optional Sprocket Scraper kit is available. Contact Customer Service.
		Remove ice/snow build up on wheels
	Infiltration of snow in the air intake system of the ATV.	Clear frame and wheels of compacted snow.
Partial or total derailing	Severe wear of one or several components	Remove snow and immediately contact the dealer to fix the situation.
	Track tension too low	Check tensioner alignment. Check wear on track guide, inside driving lugs and wheels.
	Incorrect alignment of the track system and/or incorrect angle of attack.	Adjust track tension on systems. (Refer to the "Adjustments" section of the User Manual)
Insufficient snow floatation	Incorrect adjustment of anti-rotation arm	Adjust angle of attack on the systems and vehicle alignment according to the manufacturer's specifications. (Refer to the "Adjustments" section of the User Manual)
		Adjust the angle of attack according to the manufacturer's specifications. (Refer to the "Adjustments" section of the User Manual)

SERIAL NUMBER LOCATION

SERIAL NUMBER LOCATION

The following pictures show the location of the serial numbers on the track system frame (Figure 31) and rubber track (Figure 32).

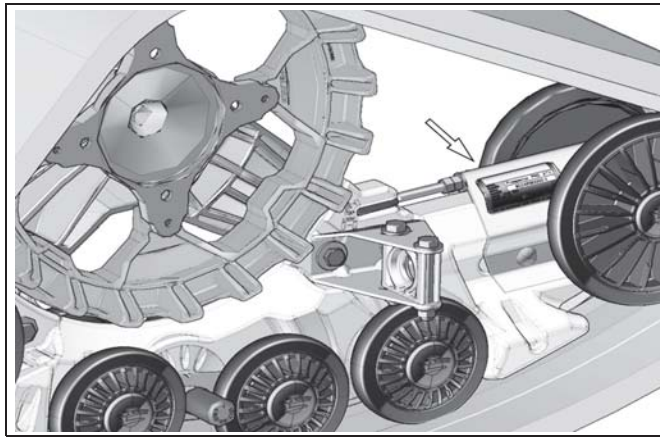


Figure 31

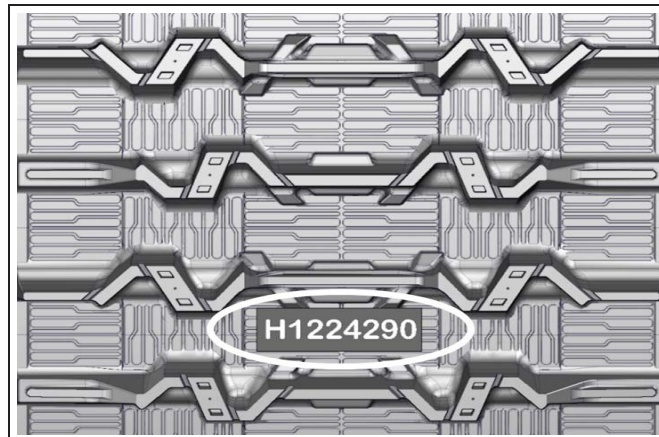



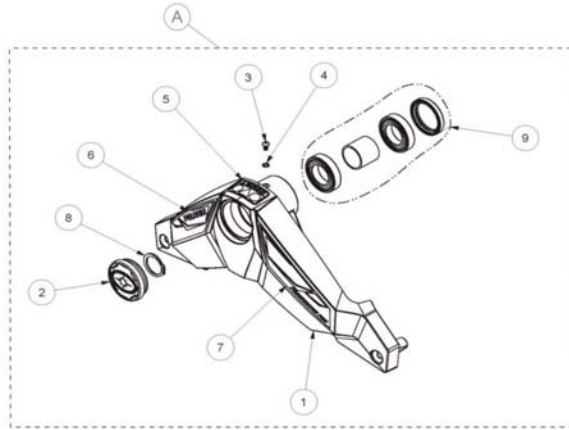
Figure 32

"CE" DECLARATION OF CONFORMITY

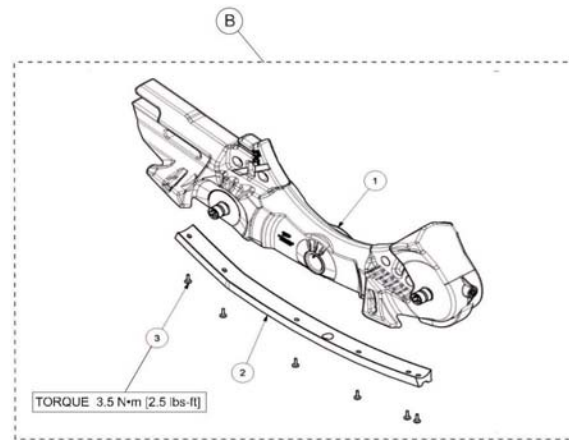
"CE" DECLARATION OF CONFORMITY

		
<u>"CE" DECLARATION OF CONFORMITY</u>		
WE:		
MANUFACTURER : CAMOPLAST SOLIDEAL INC.		
ADDRESS : 4162, Burrill, Local A Shawinigan (Québec), Canada G9N 6T6		
PHONE :		
FAX :		
WEB SITE : www.camoplastsolideal.com		
HEREBY DECLARE THAT THE PRODUCT SERIES		
PRODUCT : Polaris Prospector Pro ATV		
CUSTOMER :		
IS IN CONFORMITY WITH THE FOLLOWING STANDARDS		
NUMBER :	TITLE:	DATE:
-EN 62079	Preparation of Instruction	2001
-EN 12100-1 & -2	Safety of Machinery	1996
-EN 17050-1 & -2	Conformity Assessment	2005
AND IN CONFORMITY WITH THE FOLLOWING EC DIRECTIVE:		
NUMBER:	TITLE:	DATE:
2006/42/EEC	Safety of machinery directives	2006
DONE AT: Shawinigan (Québec), Canada		
PERSON IN-CHARGE: _____		
TITLE: _____		
DATE: _____	SIGNATURE: _____	

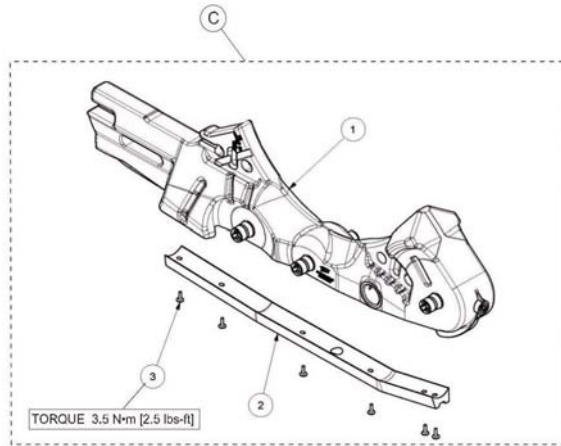
EXPLODED VIEWS
POLARIS PROSPECTOR PRO ATV



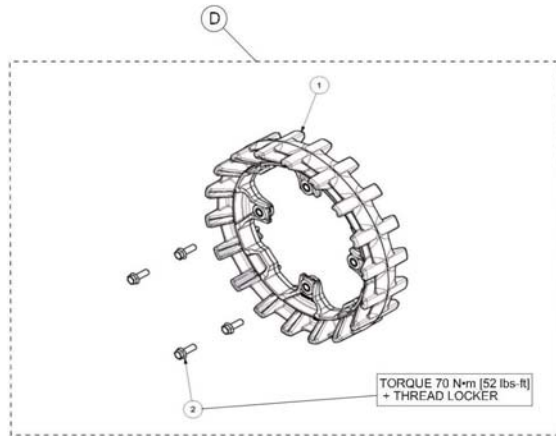
ITEM #	PART #	DESCRIPTION	QTY
A	2205425	KIT - FRAME, CMLPST, CAST, ATV	1
1	--	UPPER CARRIER / SUPPORT SUPÉRIEUR	1
2	--	HUB CAP POLARIS ASSY / CAP DE MOYEU POLARIS	1
3	--	HSBS, M6-1X10, 10.9, ZP	1
4	--	W, 9.9X6X0.9, AL	1
5	--	STICKER WARNING / AUTOCOLLANT AVERTISSEMENT	1
6	--	STICKER / AUTOCOLLANT -- POLARIS ATV	1
7	--	STICKER / AUTOCOLLANT -- PROSPECTOR PRO ATV	1
8	--	ERR, 35, 2.4, ZP, SHR-137	1
9	2205123	HUB BEARING KIT / ENSEMBLE ROULEMENTS POUR MOYEU	1



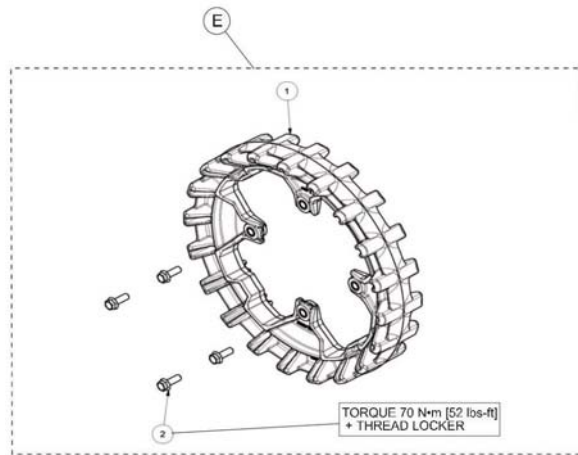
ITEM #	PART #	DESCRIPTION	QTY
B	2205426	KIT - FRAME, CMLPST, PLASTIC, FRT, ATV	1
1	--	FRONT PLASTIC BASE ASSEMBLY WITH SHAFTS / BASE PLASTIQUE AV.+ ARBRES	1
2	2205428	TRACK GUIDE / GUIDE CHENILLE	1
3	--	RWHS, 6X16, TX, ZP	6



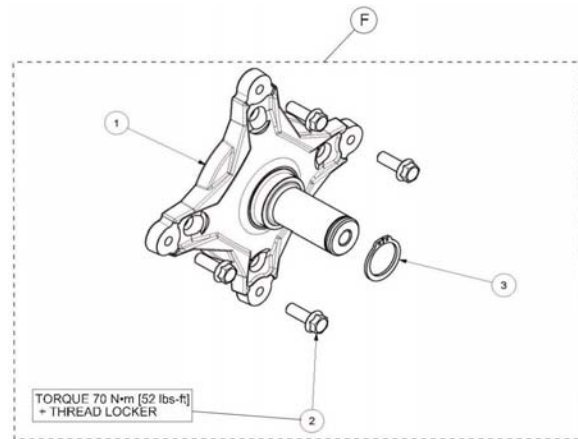
ITEM #	PART #	DESCRIPTION	QTY
C	2205427	KIT - FRAME, Cmplst, Plastic, RR, ATV	1
1	--	REAR PLASTIC BASE ASSEMBLY WITH SHAFTS / BASE PLASTIQUE ARR.+ ARBRES	1
2	2205428	TRACK GUIDE / GUIDE CHENILLE	1
3		RWHS, 6X16, TX, ZP	6



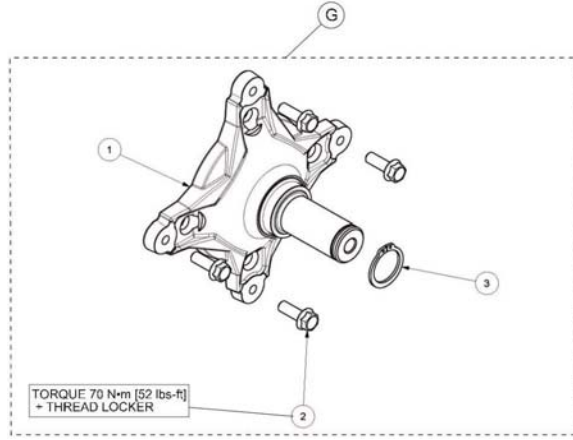
ITEM #	PART #	DESCRIPTION	QTY
D	2205433	K-SPROCKET, Cmplst, 18 TOOTH	1
1	--	SPROCKET-Cmplst XP, 18 TOOTH	1
2	--	HFSCS, M10-1.5X30, 10.9, ZP, TL, DIN6921	4



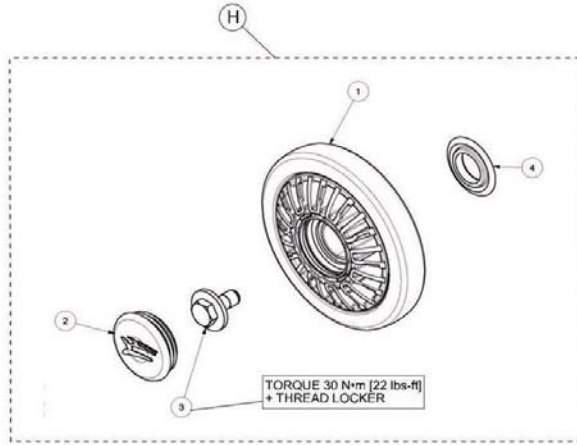
ITEM #	PART #	DESCRIPTION	QTY
E	2205432	K-SPROCKET, Cmplst, 20 TOOTH	1
1	--	SPROCKET-Cmplst XP, 20 TOOTH	1
2	--	HFSCS, M10-1.5X30, 10.9, ZP, TL, DIN6921	4



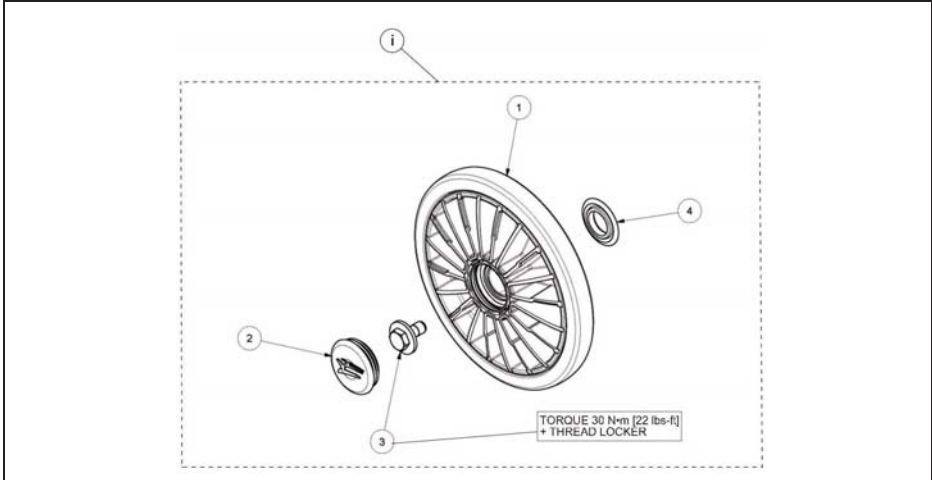
ITEM #	PART #	DESCRIPTION	QTY
H	2205434	K-HUB, Cmplst, 13mm	1
1	--	HUB-Cmplst XP 13mm, ASSY	1
2	--	HFSCS, M10-1.5X30, 10.9, ZP, TL, DIN6921	4
3	--	ERR, 35, 2.4, ZP, SHR-137	1



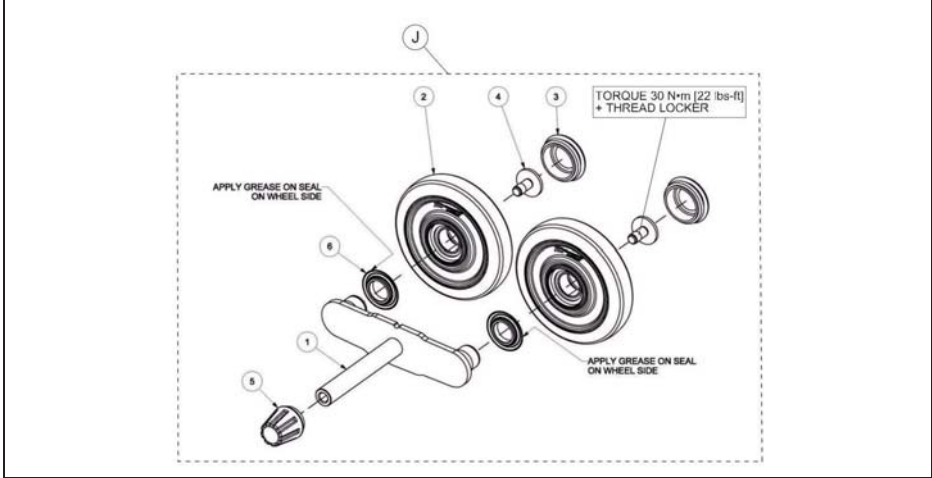
ITEM #	PART #	DESCRIPTION	QTY
G	2205435	K-HUB, Cmplst, 32mm	1
1	--	HUB-Cmplst XP 32mm, ASSY	1
2	--	HFSCS, M10-1.5X30, 10.9, ZP, TL, DIN6921	4
3	--	ERR, 35, 2.4, ZP, SHR-137	1



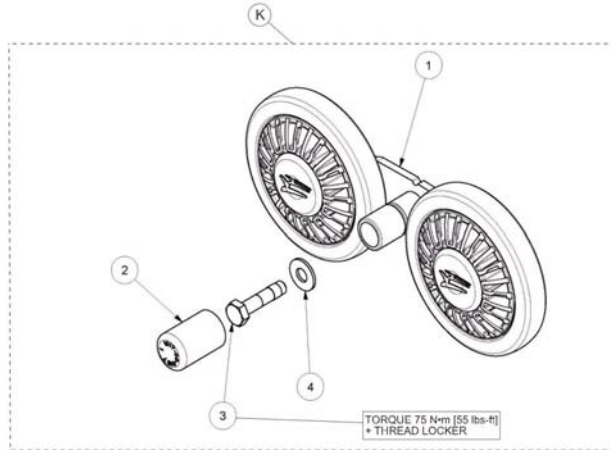
ITEM #	PART #	DESCRIPTION	QTY
H	2205122	K-WHEEL, Cmplst, MID, ATV	1
1	--	WHEEL / ROUE -- ATV 134 MM	1
2	--	2 LIPS CAP, 2" O.D. TUBE / BOUCHON 2 LÈVRES, TUBE DIA EXT 2 PO	1
3	--	HCSW, M10-1.5X25, 8.8, ZP, TL, DIN933	1
4	--	WHEEL SEAL / JOINT D'ÉTANCHEITÉ -- (25 ID X 42 OD)	1



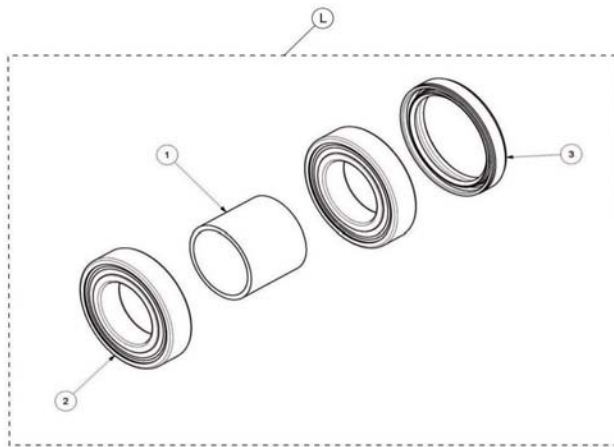
ITEM #	PART #	DESCRIPTION	QTY
1	2205121	K-WHEEL, Cmplst, Idler, ATV	1
1	--	202 MM ATV WHEEL / ROUE ATV 202 MM	1
2	--	2 LIPS CAP, 2" O.D. TUBE / BOUCHON 2 LÈVRES, TUBE DIA EXT 2 PO	1
3	--	HCSW, M10-1.5X25, 8.8, ZP, TL, DIN933	1
4	--	WHEEL SEAL / JOINT D'ÉTANCHÉITÉ -- (25 ID X 42 OD)	1



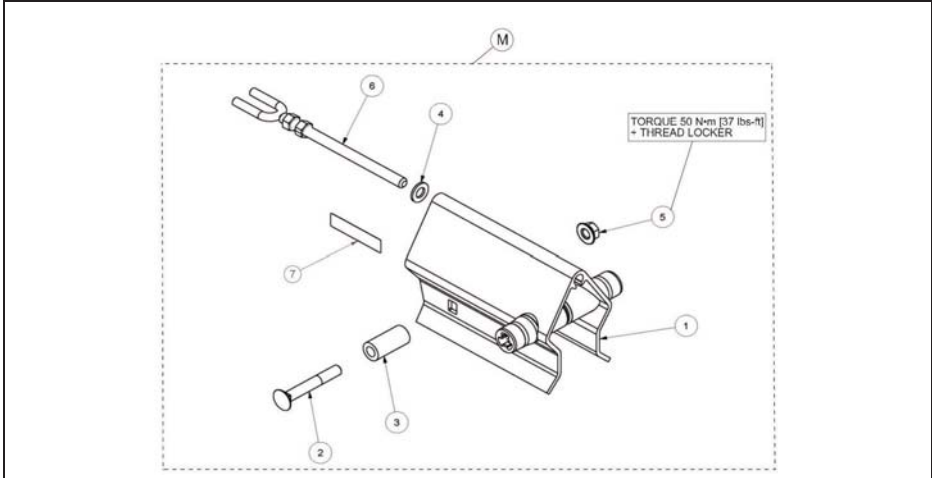
ITEM #	PART #	DESCRIPTION	QTY
J	2205431	K-ROCKER, Cmplst, Outer, ATV	1
1	--	ATV STABILIZER ASSY MALE / STABILISATEUR VTT ASSEMBLÉ, MALE	1
2	--	WHEEL / ROUE -- 134mm ATV	2
3	--	2 LIPS CAP, 2" O.D. TUBE / BOUCHON 2 LÈVRES, TUBE DIA EXT 2 PO	2
4	--	HCSW, M10-1.5X25, 8.8, ZP, TL, DIN933	2
5	--	RUBBER CONE, STABILIZER / CÔNE CAOUTCHOUC, STABILISATEUR	1
6	--	WHEEL SEAL / JOINT D'ÉTANCHÉITÉ -- (25 ID X 42 OD)	2



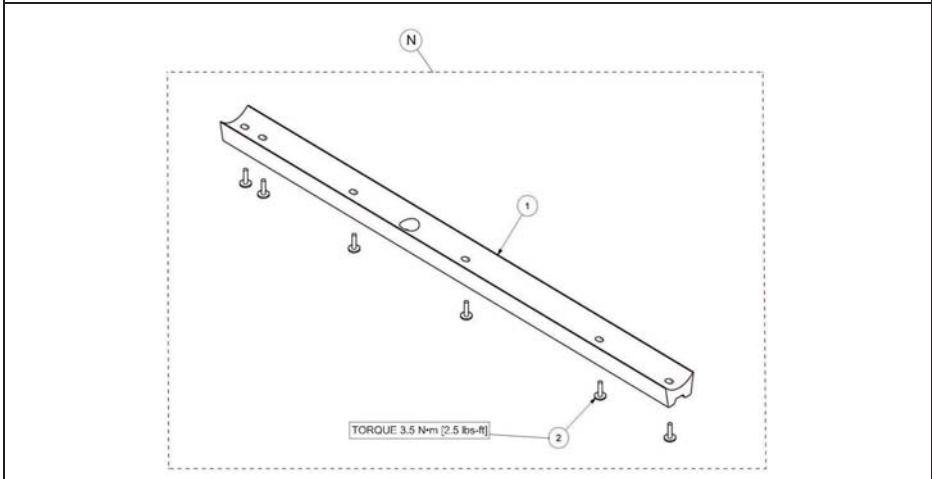
ITEM #	PART #	DESCRIPTION	QTY
K	2205430	K-ROCKER, Cmplst, INNER, ATV	1
1	--	ATV STABILIZER FEMALE ASS'Y / STABILISATEUR VTT ASSEMBLÉ, FEMELLE	1
2	--	DUST CAP, STABILIZER / CAPUCHON, STABILISATEUR	1
3	--	HCS, M10-1.5X45, 10.9, ZP, TL, DIN931	1
4	--	W, 7/16X1.0X0.072, 8, ZP, USS	1



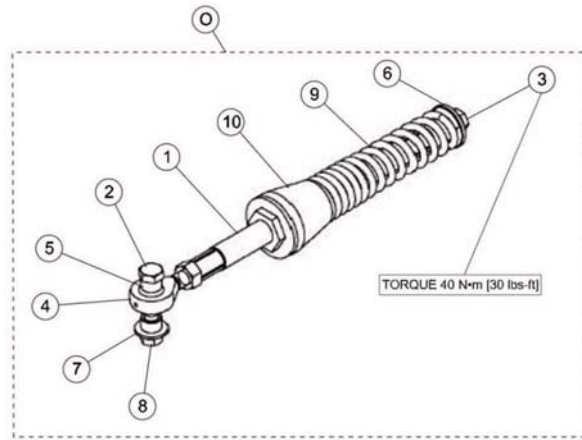
ITEM #	PART #	DESCRIPTION	QTY
L	2205123	KIT - BEARINGS, Cmplst, ATV	1
1	--	INTERNAL SPACER / ESPACEUR ROUEMENTS	1
2	--	STANDARD BEARING / ROUEMENT À BILLES STANDARD	2
3	--	SHAFT SEAL / JOINT D'ÉTANCHÉITÉ, ARBRE MOYEU - 50 x 62 x 10 TC	1



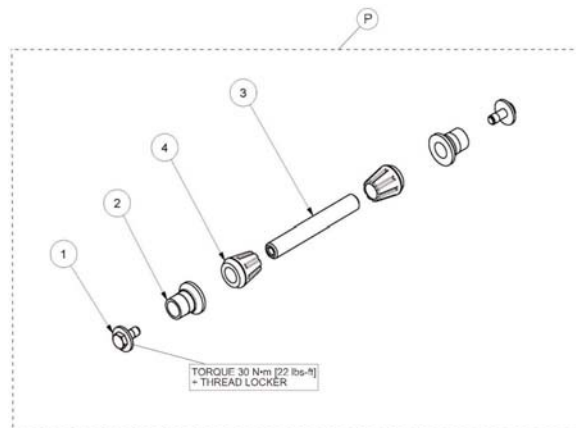
ITEM #	PART #	DESCRIPTION	QTY
M	2205429	K-TRACK ADJUSTER, CMLPST, ATV	1
1	--	EXTRUDED TRACK TENSIONNER / TENSIONNEUR DE CHENILLE	1
2	--	CB, M10-1.5X70, 8.8, ZP, DIN603	1
3	--	TENSIONER BUSHING / COUSSINET TENSIONNEUR	1
4	--	W, 20X10.5X2, ZP, DIN125A	1
5	--	FNN, M10-1.5, 8, ZP, DIN6926	1
6	--	TENSIONER ROD - HEX NUT ASSY / ENS. TIGE TENSIONNEUR - ÉCROU HEX	1
7	--	STICKER - LOOSEN / AUTOCOLLANT - DESSERRER	1



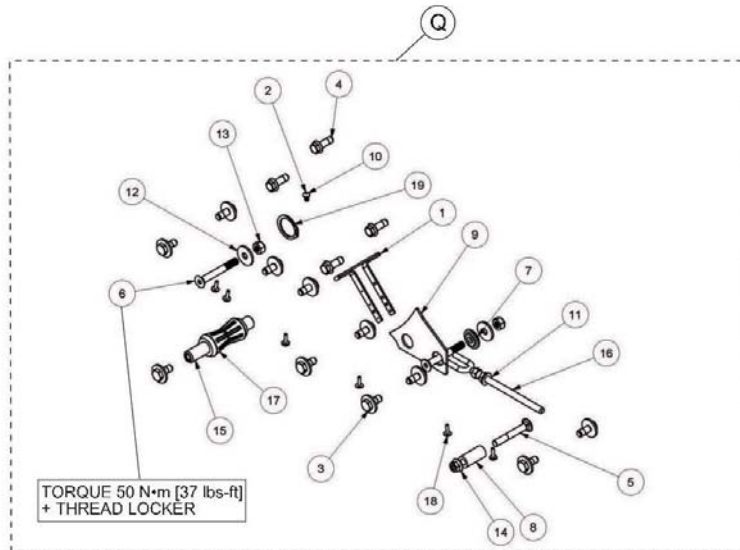
ITEM #	PART #	DESCRIPTION	QTY
N	2205428	K-HYFAX, CMLPST, ATV	1
1	--	TRACK GUIDE / GUIDE CHENILLE	1
2	--	RWHS, 6X16, TX, ZP	6



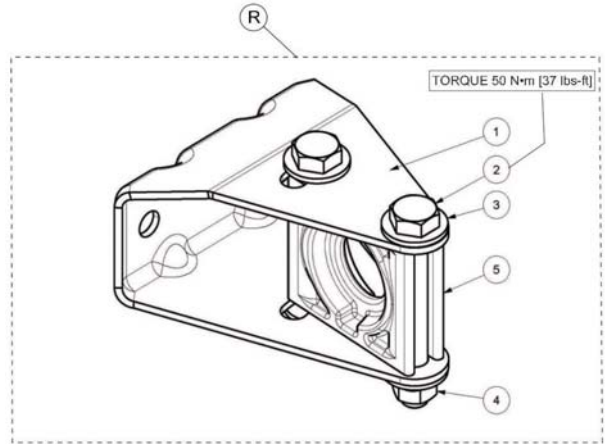
ITEM #	PART #	DESCRIPTION	QTY
O	2205438	KIT- ANTI ROTATION, CMLPST, ATV	1
1	--	SHORT ANTI-ROTATION TUBING WELDMENT / TUBE ANTI-ROTATION COURT, SOUDÉ	1
2	--	HCS, M10-1.5X60, 10.9, ZP, DIN931	1
3	--	HFSCS, M12-1.75X50, 8.8, ZP, FULL THREAD	1
4	--	X-LONG ROD END / TIGE À CŒIL X-LONG	1
5	--	BUSHING SPACER / BAGUE ESPACEUR -- 3/8"	2
6	--	W, 37X13X3, ZP, DIN 9021	1
7	--	W, 7/16X1.0X0.072, 8, ZP, USS	1
8	--	FNN, M10-1.5, 8, ZP, DIN6926	1
9	--	STABILIZING ROD SPRING / RESSORT BRAS STABILISATEUR	1
10	--	RUBBER DAMPER / AMORTISSEUR DE CAOUTCHOUC	1



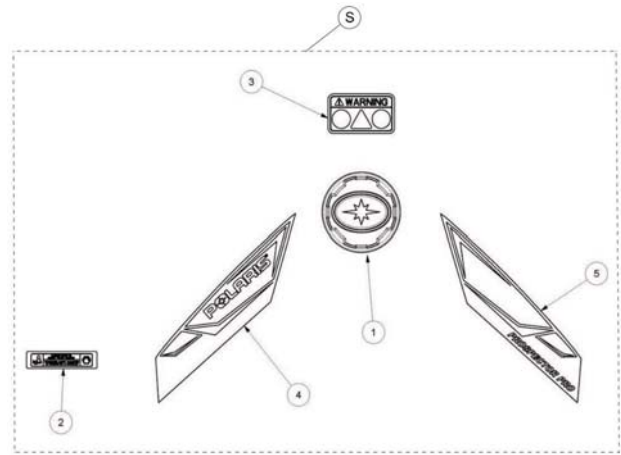
ITEM #	PART #	DESCRIPTION	QTY
P	2205452	K-REAR DAMPER, CMLPST, ATV	1
1	--	HCSW, M10-1.5X25, 8.8, ZP, TL, DIN933	2
2	--	WHEEL AXLE, STABILIZER / AXE DE ROUE, STABILISATEUR	2
3	--	AXLE, REAR STABILIZER / AXE, STABILISATEUR ARRIERE	1
4	--	RUBBER CONE, STABILIZER / CÔNE CAOUTCHOUC, STABILISATEUR	2



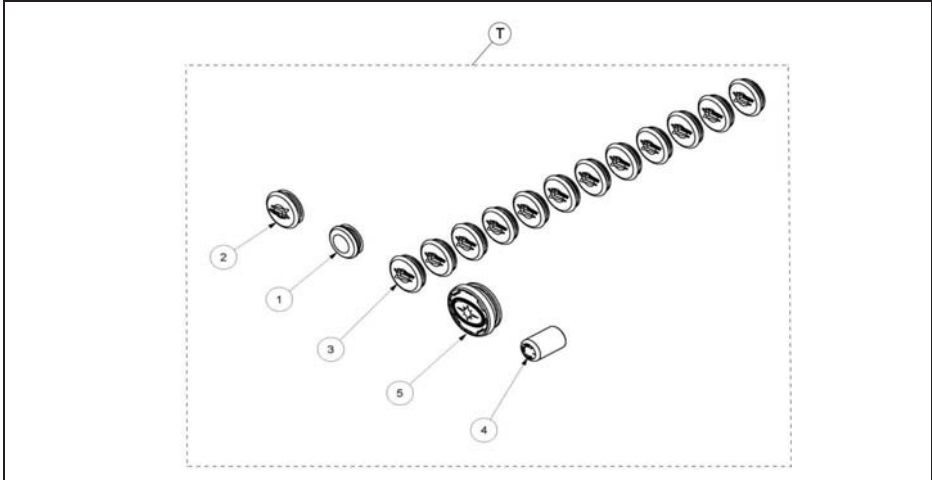
ITEM #	PART #	DESCRIPTION	QTY
Q	2205125	K-HDWR, CMLPLST, ATV	1
1	--	SPROCKET SPRAPER / GRATTOIR, BARBOTIN	1
2	--	HSBS, M6-1X10, 10.9, ZP	1
3	--	HCSW, M10-1.5X25, 8.8, ZP, TL, DIN933	12
4	--	HFSCS, M10-1.5X30, 10.9, ZP, TL, DIN6921	4
5	--	CB, M10-1.5X70, 8.8, ZP, DIN603	1
6	--	HSFS, M10-1.5X 80, 10.9, ZP	2
7	--	SPACER WASHER / RONDELLE ESPACEUR	2
8	--	TENSIONER BUSHING / COUSSINET TENSIONNEUR -- XT4S	1
9	--	ALIGNMENT SHIM CASTING / CALE D'ALIGNEMENT, SUPPORT SUPÉRIEUR	1
10	--	W, 9.9X6X0.9, AL	1
11	--	W, 20X10.5X2, ZP, DIN125A	1
12	--	W, 1-1/4X3/8X1/8, ZP	2
13	--	NN, M10-1.5, ZP, 8, DIN982	2
14	--	FNN, M10-1.5, 8, ZP, DIN6926	1
15	--	AXLE, REAR STABILIZER / AXE, STABILISATEUR ARRIÈRE	1
16	--	TENSIONER ROD - HEX NUT ASS'Y / ENS. TIGE TENSIONNEUR - ECRou HEX	1
17	--	RUBBER CONE, STABILIZER / CÔNE CAOUTCHOUC, STABILISATEUR	2
18	--	RWHS, 6X16, TX, ZP	6
19	--	ERR, 35, 2.4, ZP, SHR-137	1



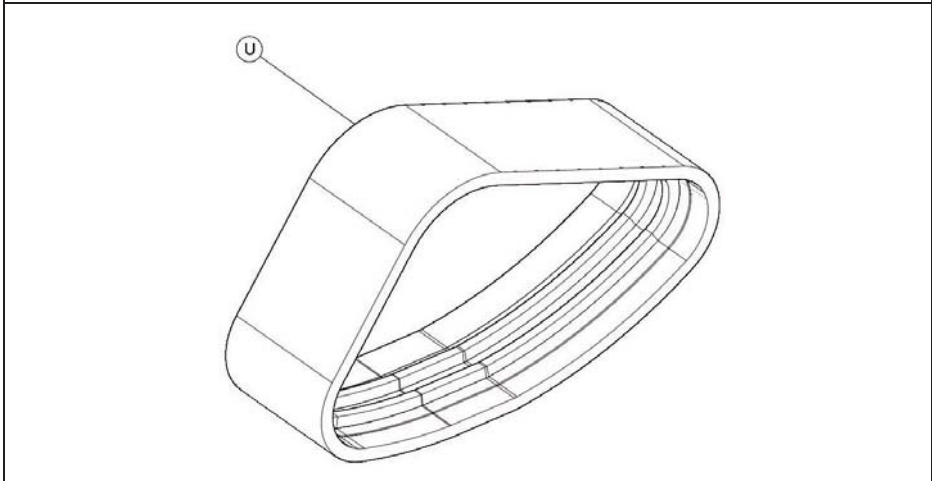
ITEM #	PART #	DESCRIPTION	QTY
R	2205448	KIT - ANTIROTATION BRACKET	1
1	--	MAIN PLATE, UNIVERSAL ANTI-ROT. (IS) / PLAQUE PRINCIPALE UNIV. ANTI-ROT. (SI)	1
2	--	HCS, M10-1.5X80, 10.9, ZP, DIN931	2
3	--	W, 25X11X2, 8, ZP, USS	4
4	--	FNN, M10-1.5, 8, ZP, DIN69261	2
5	--	RETAINER, ANTIROTATION / ANTI-ROTATION, PLAQUE PIVOTANTE	1



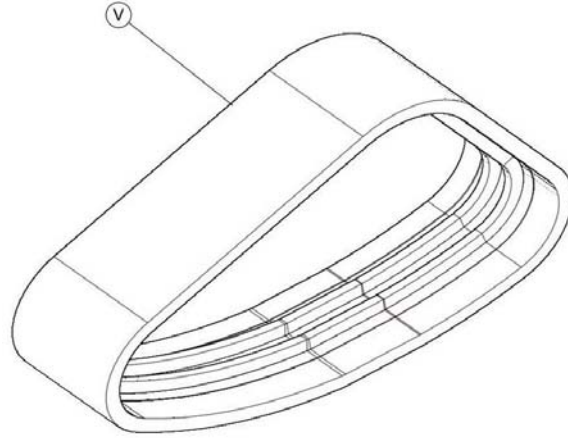
ITEM #	PART #	DESCRIPTION	QTY
S	2205452	K-DECALS, CMLPST, ATV	1
1	--	HUB CAP POLARIS ASSY / CAP DE MOYEU POLARIS ASSEMBLÉ	1
2	--	STICKER - LOOSEN / AUTOCOLLANT - DESSERRER	1
3	--	STICKER - WARNING / AUTOCOLLANT - AVERTISSEMENT	1
4	--	STICKER / AUTOCOLLANT -- POLARIS ATV	1
5	--	STICKER / AUTOCOLLANT -- PROSPECTOR PRO ATV	1



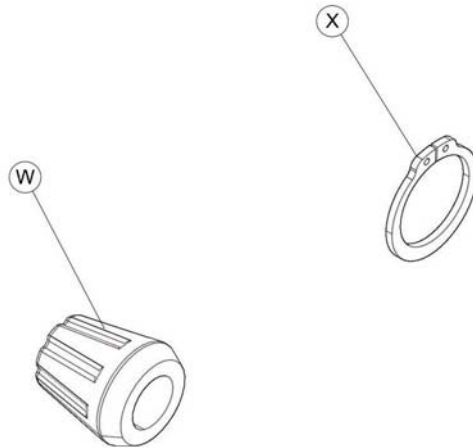
ITEM #	PART #	DESCRIPTION	QTY
T	2205120	KIT - CAPS	1
1	--	2 LIPS CAP, 1-3/4" O.D. TUBE / BOUCHON 2 LÈVRES, TUBE DIA EXT 1-3/4 PO	1
2	--	2 LIPS CAP, 2" O.D. TUBE / BOUCHON 2 LÈVRES, TUBE DIA EXT 2 PO -- LDPE	1
3	--	2 LIPS CAP, 2" O.D. TUBE / BOUCHON 2 LÈVRES, TUBE DIA EXT 2 PO -- ESPRENE	12
4	--	DUST CAP, STABILIZER / CAPUCHON, STABILISATEUR	1
5	--	HUB CAP POLARIS ASSY / CAP DE MOYEU POLARIS ASSEMBLÉ	1



ITEM #	PART #	DESCRIPTION	QTY
U	5414840	TRACK-CMPLST, FRONT, ATV	1



ITEM #	PART #	DESCRIPTION	QTY
V	5414841	TRACK-CMPLST, REAR, ATV	1



ITEM #	PART #	DESCRIPTION	QTY
W	2205461	RUBBER CONE, STABILIZER / CÔNE CAOUTCHOUC, STABILISATEUR	1
X	2205454	ERR. 35, 2.4, ZP, SHR-137	1

VUES EXPLOSEES
POLARIS PROSPECTOR PRO ATV

DÉCLARATION CE DE CONFORMITÉ

NOUS :

MANUFACTURIER: CAMOPLAST SOLIDEAL Inc.
 ADDRESSSE : 4162, rue Burnil, Local A
 Shawinigan (Québec) Canada
 G9N 6T6
 PHONE: _____
 FAX: _____
 WEB SITE : www.camoplastsolideal.com

DÉCLARONS SOUS NOTRE SEULE RESPONSABILITÉ QUE NOTRE PRODUIT

PRODUIT : Polaris Prospector Pro ATV
 CLIENT : _____


AUQUEL SE RÉFÈRE LA PRÉSENTE DÉCLARATION EST CONFORME AUX NORMES :

NUMERO : _____
 TITRE : _____
 DATE : 2001
 EN 62079
 Etablissement des instructions
 Sécurité des machines - Analyse des risques

ET, S'IL Y A LIEU, EST CONFORME AUX DISPOSITIONS DE LA OU DES DIRECTIVES SUIVANTES :

NUMERO : _____
 TITRE : _____
 DATE : 2006
 -2006/42/EEC
 Directive relative aux machines

FAT A : Shawinigan (Québec) Canada
 RESPONSABLE : _____
 TITRE : _____
 DATE : _____
 SIGNATURE : _____

camoplast 
 CHEVILLES HAUTE PERFORMANCE

DÉCLARATION « CE » DE CONFORMITÉ

DÉCLARATION « CE » DE CONFORMITÉ

EMPLACEMENT DES NUMÉROS DE SÉRIE

Les figures suivantes indiquent l'emplacement des numéros de série du cadre (Figure 41) et de la chenille (Figure 42).

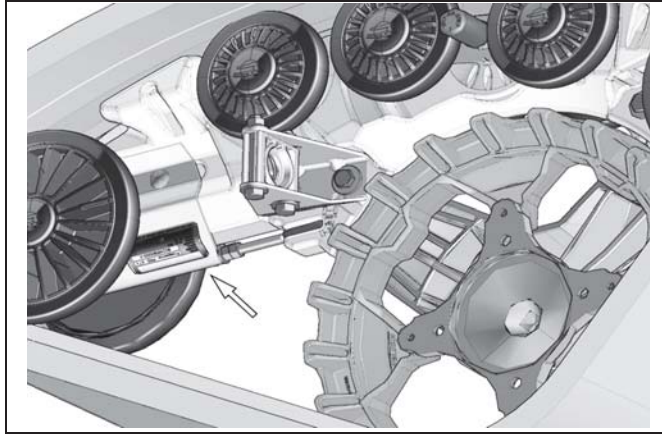


Figure 41

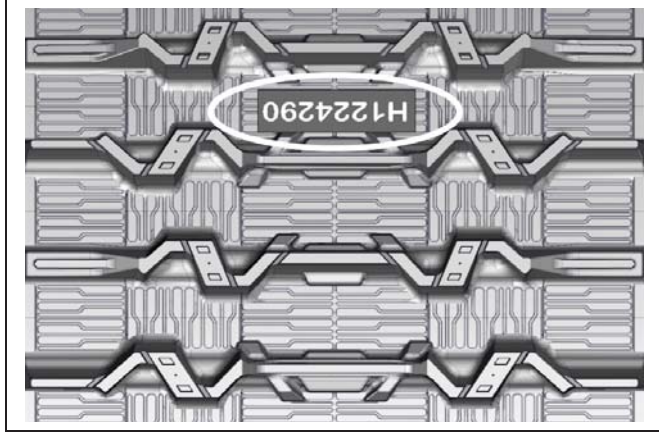


Figure 42

Anti-rotation

Vérifier l'usure de l'anti-rotation, principalement au niveau du joint à rotule (Figure 29) pour s'assurer qu'il n'est pas bloqué ou qu'il n'a pas de jeu excessif. Un joint à rotule endommagé pourrait nuire au bon ajustement du système de chenille

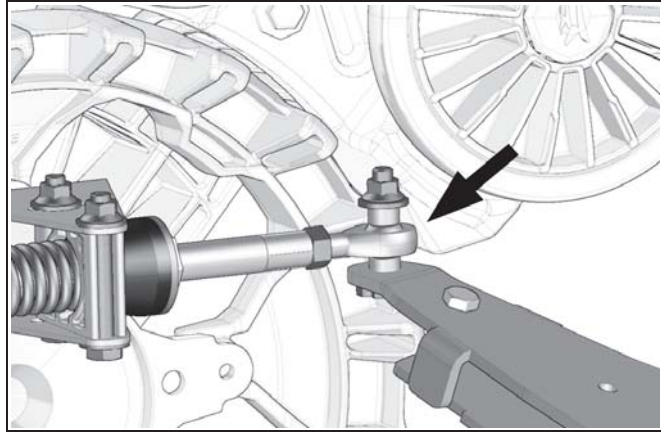


Figure 29

Vérifier que la rotule bouge bien en rotation. Vérifier aussi qu'il n'y a pas de jeu excessif entre l'embout et la rotule (Figure 30).



Figure 30

USURE

Barbotin

Vérifier l'usure des barbotins en mesurant la pièce telle qu'illustré à la Figure 28. Remplacer la pièce lorsque la dimension est inférieure à 19 mm [3/4 po]. Une usure excessive pourrait nuire au bon entraînement de la chenille et nuire aux performances du système.

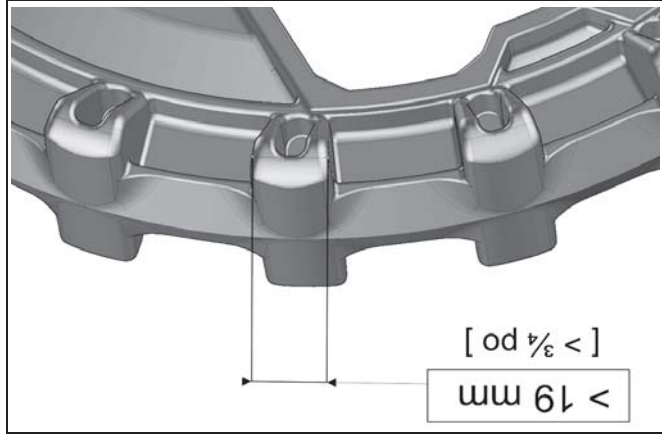


Figure 28

Guide chenille

Vérifier l'usure des guides chenille en mesurant la largeur du guide. Si les dimensions du guide illustré à la Figure 27 sont inférieures à 5 mm [13/64 po.], à n'importe quel endroit, remplacer la pièce. Si la bande de guidage est assez usée pour que la forme concave ne soit plus visible, remplacer la bande. Une dimension intérieure pourrait user prématurément les autres composantes de guidage du système.

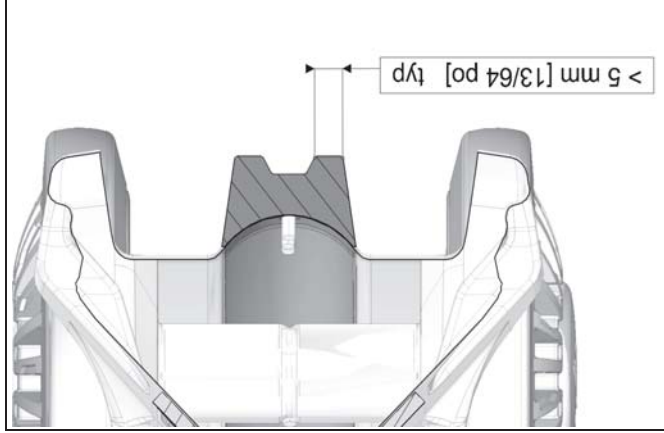


Figure 27

Chenille

Vérifier l'usure des chenilles en examinant la bande de roulement intérieure et extérieure, les dents de traction et les profils. S'assurer de ne pas voir la structure interne de la chenille aux endroits de coupure ou d'usure. Une usure trop prononcée pourrait occasionner des dommages aux roulettes et aux guides chenille.

Figure 26

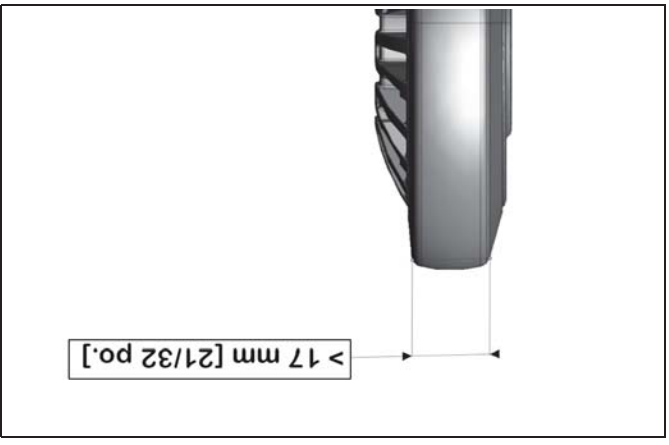
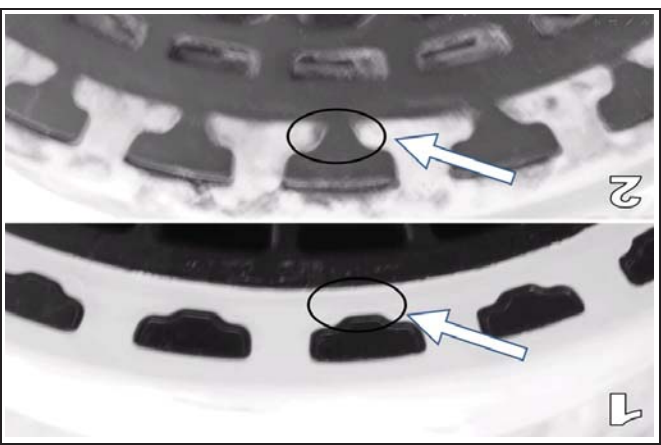


Figure 25



USURE

Roulette

Vérifier l'usure des roulettes principalement au niveau de la bande de guidage intérieure (Figure 24). La roulette est à remplacer lorsque le revêtement de caoutchouc est suffisamment usé pour permettre d'apercevoir la structure de plastique interne, tel qu'illustré à la Figure 25-2 (roulette neuve sur la Figure 25-1) ou lorsque l'épaisseur de la roulette au niveau de la bande de roulement atteint une dimension de 17 mm [21/32 po.] -- (Figure 26, 20.5 mm [13/16 po.] à l'état neuf). Une roulette trop usée n'offrira plus le support nécessaire pour le guidage de la chenille.

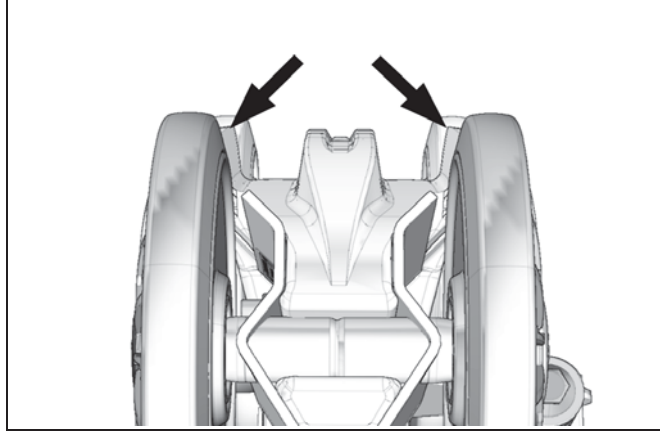
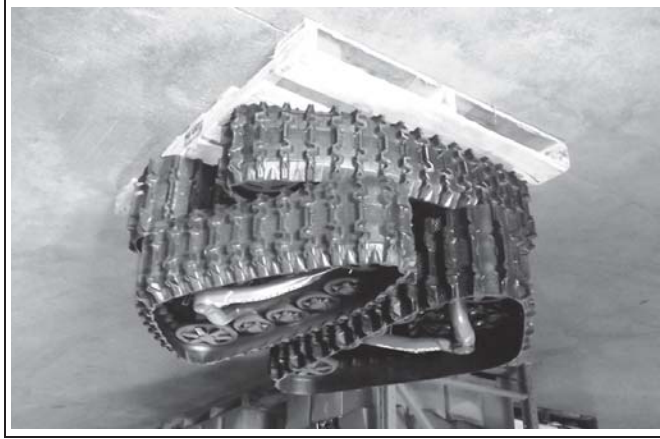


Figure 24

NOTE : Avant de remettre les systèmes de traction, il est recommandé de verser 2 cc d'huile sous les capuchons de roue pour aider à prévenir la corrosion.

Figure 23



La meilleure façon de remettre le système consiste à déposer chaque cadre sur le côté, à l'abri des rayons directs du soleil.

REMISAGE

AVERTISSEMENT

Faire attention de ne pas trop serrer les boulons, certaines pièces pourraient être soumises à des déformations s'il y a sur-serrage des boulons et certains aspects de sécurité pourraient être compromis.

NOTE : Utiliser une pâte de blocage de filet de type Loctite 263 ou son équivalent aux endroits indiqués dans les vues explosés du manuel.

Consulter les vues explosées à la fin du manuel pour connaître les couples de serrage appliqués aux boulons situés aux endroits importants sur les systèmes de traction.

COUPLES DE SERRAGE

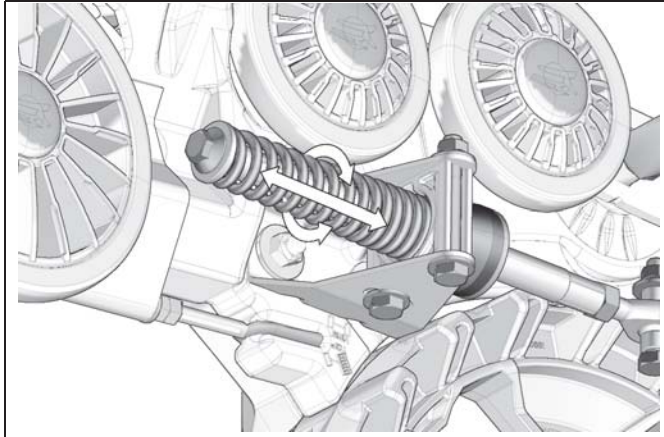
COUPLES DE SERRAGE

RÉFÉRENCE « H »

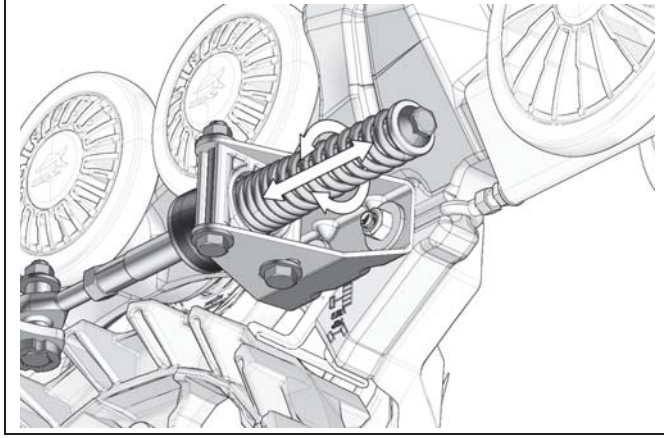
LUBRIFICATION DES BRAS STABILISATEURS

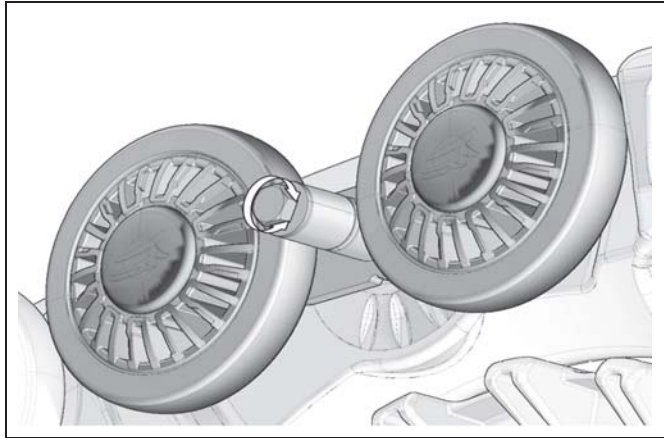
Appliquer une graisse en aérosol (p. ex. graisse pour chaîne de motocyclette) tout autour du ressort du bras stabilisateur et sur toute sa longueur.

SYSTEMES AVANT



SYSTEMES ARRIÈRE





Appliquer une quantité de 0.75 à 1.5cc (centimètre cube) de graisse sur la tête du boulon de fixation des tandems, uniformément sur toute la circonférence (360°).

LUBRIFICATION DE LA TÊTE DU BOULON DE FIXATION DES TANDEMS

« G » RÉFÉRENCE

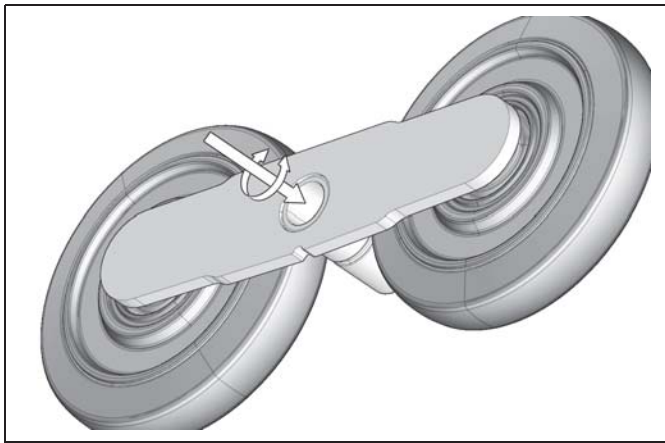
LUBRIFICATION

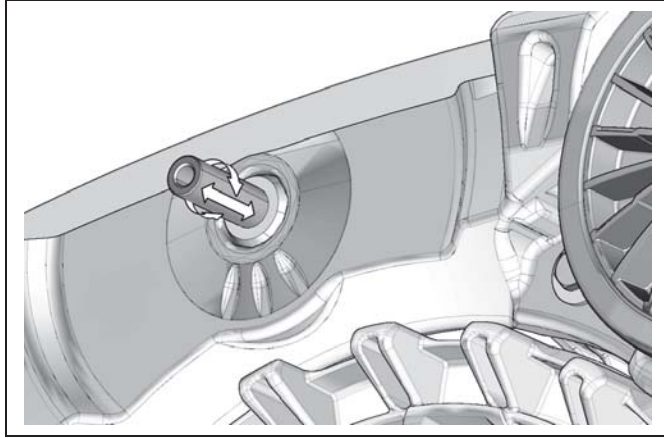
LUBRIFICATION

RÉFÉRENCE « F »

**LUBRIFICATION DE L'INTÉRIEUR DU TUBE DU TANDEM
FEMELLE**

Appliquer une quantité de 1 à 1,5 cc (centimètre cube) de graisse sur la paroi intérieure du tandem femelle, uniformément sur toute la circonférence (360°) et sur sa longueur.



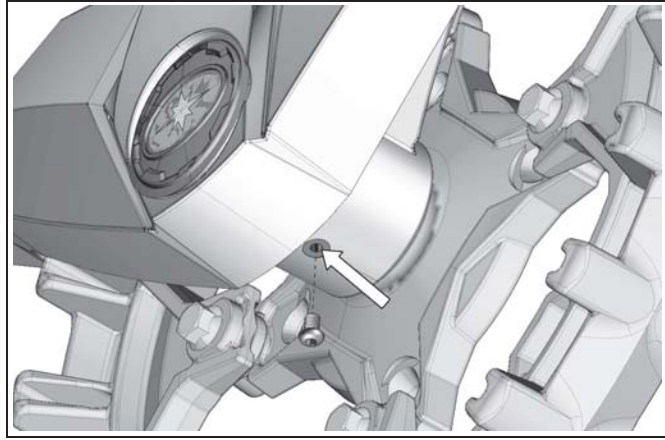


Appliquer une quantité de 1 à 1,5 cc (centimètre cube) de graisse sur l'arbre du tandem mâle, uniformément sur toute la circonférence (360°) et sur sa longueur.

LUBRIFICATION DE L'ARBRE DU TANDEM MÂLE

RÉFÉRENCE « E »

LUBRIFICATION



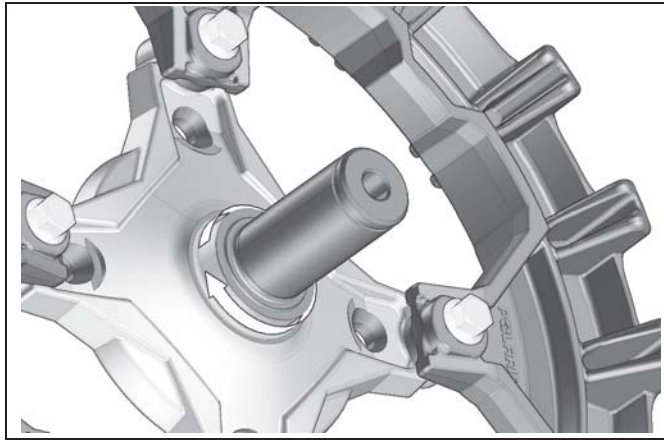
AVERTISSEMENT  Faire attention de ne pas utiliser trop d'huile. Cela pourrait endommager le joint du moyeu et causer des fuites.

Retirer la petite vis située sur le dessus du châssis et verser 10 à 12 cc d'huile 80W90 sur l'arbre du moyeu par le trou fileté.

LUBRIFICATION DU MOYEU

« D » RÉFÉRENCE

LUBRIFICATION



Appliquer une quantité de 1 à 1.5 cc (centimètre cube) de graisse sur la « speedy sleeve » du moyeu, sur toute sa largeur et sur toute la circonférence (360°).

LUBRIFICATION DE LA « SPEEDY SLEEVE » DU MOYEU

RÉFÉRENCE « C »

LUBRIFICATION

RÉFÉRENCE « B »

LUBRIFICATION DU JOINT D'ÉTANCHÉITÉ DU MOYEU

Appliquer une quantité de 1,5 à 2 cc (centimètre cube) de graisse entre et sur les lèvres du joint d'étanchéité du moyeu, uniformément sur toute la circonférence (360°).



IMPORTANT : Le joint du moyeu ne doit pas dépasser du moyeu de roue, il doit être inséré jusqu'à ce qu'il soit parfaitement à égalité avec le moyeu.

LUBRIFICATION

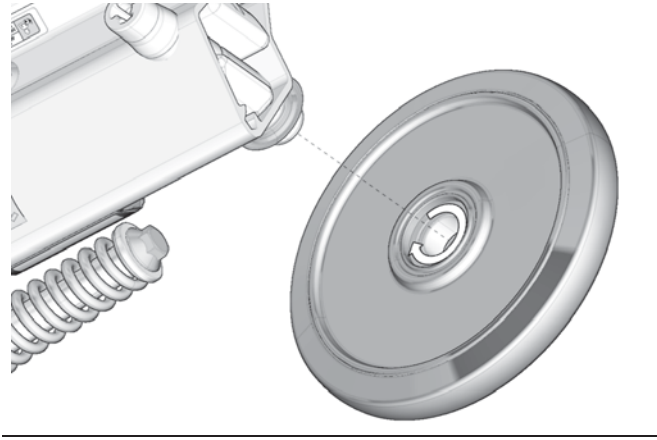
Le tableau du programme de maintenance à la page 36 inclut une maintenance de lubrification qui doit être faite sur les systèmes. Référez-vous aux recommandations qui suivent pour une lubrification optimale.

NOTE : Utiliser une graisse de type synthétique anti-friction qui a une grande résistance à l'eau et à l'usure. La graisse Aerochem MF est recommandée.

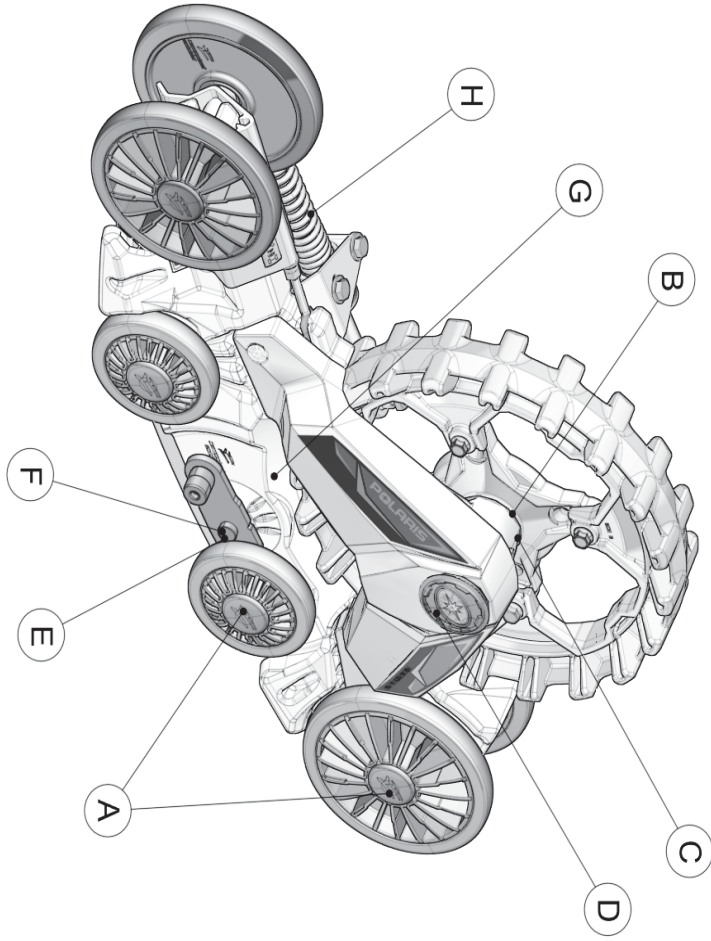
RÉFÉRENCE « A »

LUBRIFICATION DES ROUES 134 mm ET 202 mm

Appliquer une quantité de 1 à 1,5 cc (centimètre cube) de graisse sur la partie interne en acier (rondele), uniforme sur toute la circonférence (360°).



LUBRICATION



ATTENTION: Le ressort et la tige des bras stabilisateurs doivent être graissés avec un lubrifiant à chaîne de motocyclette en aérosol ou équivalent.

ATTENTION: Les roulements des moyeux doivent être inspectés et remplacés, au besoin. Les roulements qui doivent être remplacés sont identifiés par la restriction ou le bruit qu'ils causent lorsqu'on fait tourner le moyeu.

ATTENTION: Vérifiez l'état des deux cônes de caoutchouc sur les tandems. Si on remarque une usure ovale des alésages des cônes il faut remplacer les cônes. Remplacer aussi le boulon et la rondelle.

ATTENTION: Lors du nettoyage des systèmes de chenille avec un jet à pression, prendre soin de garder le jet loin des capuchons et des joints d'étanchéité des roues, roulettes et moyeux de roue.

Après une utilisation extrême dans l'eau, la boue, la neige fondante, etc. et lors de l'inspection annuelle des roulements du cadre, prendre note que les roulements ne peuvent être regraisés de la même façon que les roulements de motoneige. S'ils doivent être entretenus ou réparés, il faudra alors complètement remplacer la roue en question. Certaines pièces (p. ex. roulettes de 134 mm) requièrent des outils spéciaux pour les démonter. Veuillez utiliser des outils spécialisés afin d'éviter tout dommage aux composantes et les risques de blessure.

AVERTISSEMENT

- **Joint d'étanchéité-roulement de moyeu** : Selon les recommandations de la charte de maintenance, le joint étanche du moyeu doit être nettoyé et lubrifié. Voir la section « Lubrification » du *Manuel de l'utilisateur* à la page 43.

NOTE : Une lubrification aux fréquences prescrites permet de maintenir une étanchéité optimale du joint d'étanchéité du moyeu et d'augmenter la durée de vie des roulements du moyeu.

- **Usure des guides** : Vérifier l'usure des guides des systèmes. Voir la section « Usure » du *Manuel de l'utilisateur* à la page 53. Remplacer les guides si l'usure est trop importante.

- **Tandems** : Vérifier l'état des cônes de caoutchouc des tandems des systèmes avant et des axes de roue des systèmes arrière. S'ils montrent une usure ovale de l'alesage du centre, ils doivent obligatoirement être remplacés.
- **Fissures** : Inspecter visuellement les châssis des systèmes afin de détecter toute présence de fissure ou défauts pouvant nuire au bon fonctionnement.

Barbotin

- **Usure** : Vérifier l'usure des barbotins des systèmes. Voir la section « Usure » du *Manuel de l'utilisateur* à la page 54. Remplacer si l'usure est trop importante.

Antirotation

- **Lubrification** : Selon les recommandations de la charte de maintenance, les antirotations doivent être nettoyés et lubrifiés. Voir la section « Lubrification » du *Manuel de l'utilisateur* à la page 49.
- **Couple des boulons** : Vérifier aux intervalles recommandés de la charte de maintenance le couple des boulons de fixation des ancrages et des bras antirotation des systèmes.
- **Fissures, déformation** : Inspecter visuellement les antirotations des systèmes afin de détecter toute présence de fissure ou déformation pouvant nuire au bon fonctionnement. Remplacer les composantes si elles sont endommagées.

remplacement.
NOTE : Toujours remplacer les deux roulements à la fois lors d'un

être remplacés s'ils montrent une défectuosité.
moyeu ne présentent pas de restriction, de bruit ou de jeu anormal en rotation, les roulements doivent obligatoirement

Châssis

NOTE : Une lubrification aux fréquences prescrites permet de maintenir une étanchéité optimale des joints d'étanchéité des roues et d'augmenter la durée de vie de celles-ci.

- **Lubrification joint étanche** : Les joints d'étanchéité des roues doivent être nettoyés de toute saleté ou contaminant et lubrifiés selon les recommandations du manufacturier. Voir la section « Lubrification » du *Manuel de l'utilisateur* à la page 42. Si un joint d'étanchéité montre une défectuosité, il doit être remplacé.
- **Roulements** : Vérifier que les roulements des roues ne présentent pas de restriction, de bruit ou de jeu anormal en rotation, remplacer les roues si elles montrent une de ces défectuosités.
- **Usure latérale** : Vérifier l'usure latérale des roues des systèmes. Voir la section « Usure » du *Manuel de l'utilisateur* à la page 51. Remplacer la ou les roues si l'usure est trop importante.

Roues

NOTE : Une chenille endommagée peut entraîner l'usure prématurée aux composantes des systèmes.

- **Tension** : Effectuer ou vérifier les réglages de la tension des chenilles des systèmes selon les recommandations du manufacturier. Voir la section « Tension de la chenille » du *Manuel de l'utilisateur* à la page 29.
- **Usure** : Vérifier l'usure et l'état générale des chenilles des systèmes. Voir la section « Usure » du *Manuel de l'utilisateur* à la page 53.

Chenille

Maintenance - Tâches

- **Inspecter** : La ou les composantes visées doivent être examinées avec attention. Si une anomalie est détectée, le défaut doit être réparé ou la ou les composantes doivent être changées.
- **Nettoyer** : La ou les composantes visées doivent être nettoyées de toute saleté, poussière ou contaminant pouvant nuire au bon fonctionnement du système.
- **Ajuster** : La ou les composantes visées doivent être ajustées ou réajustées selon les recommandations d'ajustement du manufacturier, référez-vous à la section appropriée du *Manuel de l'utilisateur*.
- **Lubrifier** : La ou les composantes visées ont besoin d'être lubrifiées selon les recommandations du manufacturier. Référez-vous à la section appropriée du *Manuel de l'utilisateur*.
- **Remplacer** : La ou les composantes visées doivent obligatoirement être remplacées pour éviter des bris majeurs.

Maintenance - Spécifications

Système

- **Inspection visuelle** : Inspecter visuellement chacun des systèmes afin de détecter tout défaut ou anomalie pouvant nuire au bon fonctionnement.
 - **Ajustement** : Effectuer ou vérifier les réglages de l'angle d'attaque des systèmes selon les recommandations du manufacturier. Voir la section « Réglages » du *Manuel de l'utilisateur* à la page 19.
 - **Alignement du véhicule** : Effectuer ou vérifier les réglages (alignement du véhicule) des systèmes selon les recommandations du manufacturier. Voir la section « Alignement » du *Manuel de l'utilisateur* à la page 27.
 - **Couple des boulons** : Vérifier le couple des boulons critiques identifiés aux vues exposées du système. Voir la section centrale du *Manuel de l'utilisateur*.
- NOTE* : Respecter le couple de serrage recommandé et utiliser une pâte de blocage de filet si vous notez que le couple du boulon ne respecte pas les recommandations du manufacturier.

MAINTENANCE	UTILISATION EN CONDITIONS HIVERNALES NORMALES						
	INITIALE	A 10 HEURES	A 20 HEURES	AUX 25 HEURES	AUX 40 HEURES	PERIODIQUE	
	AVANT L'UTILISATION					AUX 50 HEURES	AUX 100 HRS / ANNUEL
SYSTEME - INSPECTION VISUELLE	INSPECTER	NETTOYER / INSPECTER	NETTOYER / INSPECTER	NETTOYER / INSPECTER	NETTOYER / INSPECTER	NETTOYER / INSPECTER	NETTOYER / INSPECTER
SYSTEME - AJUSTEMENTS	AJUSTER	INSPECTER / AJUSTER	INSPECTER / AJUSTER	INSPECTER / AJUSTER	INSPECTER / AJUSTER	INSPECTER / AJUSTER	INSPECTER / AJUSTER
SYSTEME - AJUSTEMENT DU VEHICULE	AJUSTER	INSPECTER / AJUSTER	INSPECTER / AJUSTER	INSPECTER / AJUSTER	INSPECTER / AJUSTER	INSPECTER / AJUSTER	INSPECTER / AJUSTER
SYSTEME - COUPLE DES BOLLONS	AJUSTER	INSPECTER / AJUSTER	INSPECTER / AJUSTER	INSPECTER / AJUSTER	INSPECTER / AJUSTER	INSPECTER / AJUSTER	INSPECTER / AJUSTER
CHEVILLE - TENSION							
ROUES - USURE							INSPECTER
ROUES - USURE LATÉRALE							INSPECTER / REMPLACER
ROUES - ROULEMENTS			INSPECTER		INSPECTER	INSPECTER	INSPECTER / REMPLACER
ROUES - LUBRIFICATION JOINT ETANCHE			LUBRIFIER		LUBRIFIER	LUBRIFIER	LUBRIFIER
CHASSIS - ROULEMENTS DES MOYEURS							REMPACER
CHASSIS - JOINT ROULEMENT MOYEU				NETTOYER / LUBRIFIER			REMPACER
CHASSIS - USURE DES GUIDES					INSPECTER		INSPECTER / REMPLACER
CHASSIS - TANDEMS						INSPECTER	INSPECTER
CHASSIS - FISSURES							INSPECTER / REMPLACER
BARBOTIN - USURE	LUBRIFIER	INSPECTER / AJUSTER		LUBRIFIER			LUBRIFIER
ANTIROTIATION - LUBRIFICATION		INSPECTER / AJUSTER				INSPECTER / AJUSTER	INSPECTER / AJUSTER
ANTIROTIATION - COUPLE BOLLONS		INSPECTER / AJUSTER				INSPECTER / AJUSTER	INSPECTER / AJUSTER
ANTIROTIATION - FISSURES, DEFORMATION		INSPECTER / AJUSTER				INSPECTER / AJUSTER	INSPECTER / AJUSTER
VEHICULE - COUPLE BRAS SUSPENSION		INSPECTER / AJUSTER				INSPECTER / AJUSTER	INSPECTER / AJUSTER
VEHICULE - TIGE DE CONDUITE		INSPECTER / AJUSTER				INSPECTER / AJUSTER	INSPECTER / AJUSTER

UTILISATION COMMERCIALE / INDUSTRIELLE / CONDITIONS ABRASIVES	INITIALE						
	AVANT L'UTILISATION	A 10 HEURES	A 20 HEURES	AUX 25 HEURES	AUX 40 HEURES	PERIODIQUE	
						AUX 50 HEURES	AUX 100 HRS / ANNUEL
SYSTEME - INSPECTION VISUELLE	INSPECTER	NETTOYER / INSPECTER	NETTOYER / INSPECTER	NETTOYER / INSPECTER	NETTOYER / INSPECTER	NETTOYER / INSPECTER	NETTOYER / INSPECTER
SYSTEME - AJUSTEMENTS	AJUSTER	INSPECTER / AJUSTER	INSPECTER / AJUSTER	INSPECTER / AJUSTER	INSPECTER / AJUSTER	INSPECTER / AJUSTER	INSPECTER / AJUSTER
SYSTEME - AJUSTEMENT DU VEHICULE	AJUSTER	INSPECTER / AJUSTER	INSPECTER / AJUSTER	INSPECTER / AJUSTER	INSPECTER / AJUSTER	INSPECTER / AJUSTER	INSPECTER / AJUSTER
SYSTEME - COUPLE DES BOLLONS	AJUSTER	INSPECTER / AJUSTER	INSPECTER / AJUSTER	INSPECTER / AJUSTER	INSPECTER / AJUSTER	INSPECTER / AJUSTER	INSPECTER / AJUSTER
CHEVILLE - TENSION							
ROUES - USURE		INSPECTER		INSPECTER	INSPECTER		INSPECTER
ROUES - USURE LATÉRALE							INSPECTER / REMPLACER
ROUES - ROULEMENTS			INSPECTER		INSPECTER	INSPECTER	INSPECTER / REMPLACER
ROUES - LUBRIFICATION JOINT ETANCHE			LUBRIFIER		LUBRIFIER	LUBRIFIER	LUBRIFIER
CHASSIS - ROULEMENTS DES MOYEURS							REMPACER
CHASSIS - JOINT ROULEMENT MOYEU				NETTOYER / LUBRIFIER			REMPACER
CHASSIS - USURE DES GUIDES					INSPECTER		INSPECTER / REMPLACER
CHASSIS - TANDEMS						INSPECTER	INSPECTER
CHASSIS - FISSURES							INSPECTER / REMPLACER
BARBOTIN - USURE	LUBRIFIER	INSPECTER / AJUSTER		LUBRIFIER			LUBRIFIER
ANTIROTIATION - LUBRIFICATION		INSPECTER / AJUSTER				INSPECTER / AJUSTER	INSPECTER / AJUSTER
ANTIROTIATION - COUPLE BOLLONS		INSPECTER / AJUSTER				INSPECTER / AJUSTER	INSPECTER / AJUSTER
ANTIROTIATION - FISSURES, DEFORMATION		INSPECTER / AJUSTER				INSPECTER / AJUSTER	INSPECTER / AJUSTER
VEHICULE - COUPLE BRAS SUSPENSION		INSPECTER / AJUSTER				INSPECTER / AJUSTER	INSPECTER / AJUSTER
VEHICULE - TIGE DE CONDUITE		INSPECTER / AJUSTER				INSPECTER / AJUSTER	INSPECTER / AJUSTER

MAINTENANCE

AVERTISSEMENT

Ne pas insérer les mains ou les pieds dans le système de traction, à moins que le moteur ne soit arrêté, que le véhicule ne soit immobilisé et que le frein de sécurité ne soit appliqué.

AVERTISSEMENT

Les inspections, réglages et graissages périodiques sont indispensables au bon état de marche des systèmes de traction et à sa conduite en toute sécurité. L'utilisateur a le devoir de veiller à l'entretien et aux réglages périodiques de son système de traction. La section « Maintenance » fournit les informations nécessaires pour effectuer l'entretien adéquat des systèmes de traction.

AVERTISSEMENT

L'omission d'effectuer l'entretien et les réglages prévus de la charte de maintenance aux intervalles prescrits peut entraîner une usure prématurée ainsi que des bris majeurs aux systèmes de traction qui ne seront pas couverts par la garantie, il est de la responsabilité de l'utilisateur de respecter la cédule de maintenance du manufacturier.

NOTE : Il est recommandé de ne pas utiliser de solvant de nettoyage pour freins afin de nettoyer le système de traction. Cela pourrait endommager les composantes d'élançabilité ainsi que les autocollants.

Pour obtenir un rendement optimal et assurer une durabilité maximale, consulter le tableau d'entretien à la page suivante :
 Pour plus de précision sur les maintenances du programme d'entretien, consulter les spécifications d'entretien à la page 37.

PÉRIODE DE RODAGE

PÉRIODE DE RODAGE

Une période de rodage est nécessaire afin de permettre aux composants du système un bon agencement des pièces les unes par rapport aux autres..

Pendant la période de rodage de 4 heures ou 80 kilomètres, suivre les recommandations suivantes :

- Ne pas rouler dans des conditions sèches et propres. (par exemple : asphalte, champ de foin, etc.).
- Amorcer des virages serrés à très basse vitesse : (10 km/h maximum vitesse réelle).

PÉRIODE DE RODAGE				VERIFICATION	INSTALLATION	1 ^{re} HEURE	2 ^e HEURE	3 ^e HEURE
				INSPECTION VISUELLE	X	X	X	X
				TENSION - CHENILLES	X	X		
				ANGLE D'ATTACHE - SYSTEMES	X	X		
				ALIGNEMENT	X			
				COUPLE DES BOULONS				X

Une période de rodage **adéquate** doit être réalisée dans un environnement lubrifié telles que l'eau, la boue, la neige, les terrains mous, le sable, la poussière, etc.

Une période de rodage **inadéquate** peut générer de la fumée, des odeurs de caoutchouc brûlé ainsi que des dépôts de plastique sur le barbotin et/ou le cadre.

INSTALLATION D'UNE CHENILLE DE CAOUTCHOUC

- Enlevez les deux roues de 202 mm (1) au tensionneur de chenille. Voir la Figure 21.

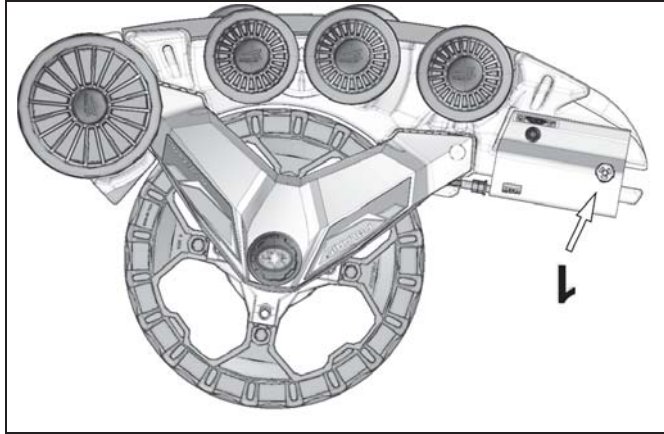


Figure 21

- Installer la chenille de caoutchouc. Voir la Figure 22.

NOTE : Voir les indications sur la chenille pour le sens d'installation.

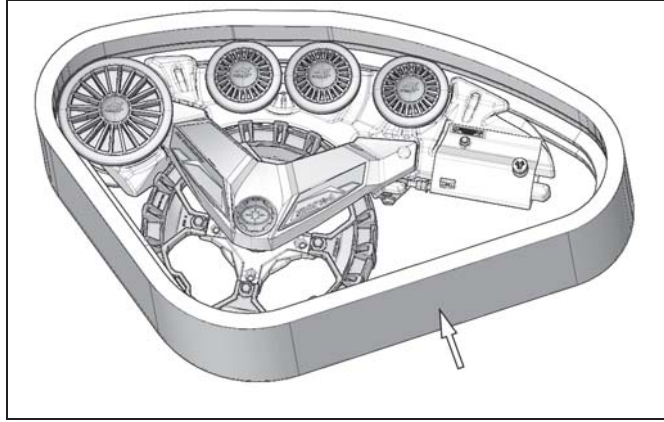


Figure 22

- Réinstaller les roues de 202 mm.
- Ajuster la tension de la chenille. Voir la section « Tension de la chenille » à la page 29.

INSTALLATION D'UNE CHENILLE DE CAOUTCHOUC

Si possible, placer le véhicule sur une surface plane et au niveau (ou sur un dispositif de levage approprié). Arrêter le moteur.

Procéder comme suit :

- Desserer l'écrou (1) du boulon de fixation du tensionneur de chenille

- Débloquer les deux écrous (2) de la tige tensionneur, régler le tensionneur de chenille au minimum. Voir la Figure 20.

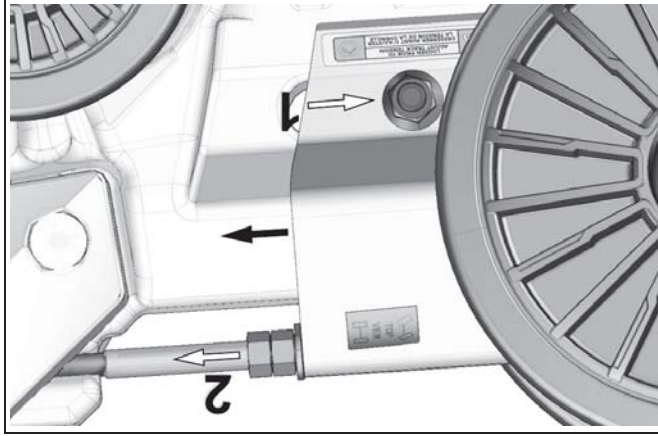


Figure 20

RÉGLAGES

Principes de réglage :

- Si la tension est plus élevée au niveau de la chenille, il est moins probable que celle-ci déraile et on réduit également les risques de glissement au niveau du barbotin
- Une tension moins élevée au niveau de la chenille améliore le rendement, le roulement et l'économie de carburant.

Vérification finale

Conduire le véhicule à basse vitesse sur une distance de 1,5 km [1 mille]. Évaluer le rendement des systèmes et ajuster ensuite, au besoin.

RÉGLAGES

Le tableau suivant indique la force (1) appliquée et la flèche (2) qui doit se produire pour ajuster adéquatement la tension des chenilles. Voir la Figure 19 :

Saison	Chenille	Force	Déflexion
Été	Avant	15 kg	19 mm
	Arrière	15 kg	19 mm
Hiver (neige)	Avant	11 kg	19 mm
	Arrière	11 kg	19 mm

NOTE : Utiliser un outil de vérification de tension de chenille comme celui montré à la Figure 18.



Figure 18

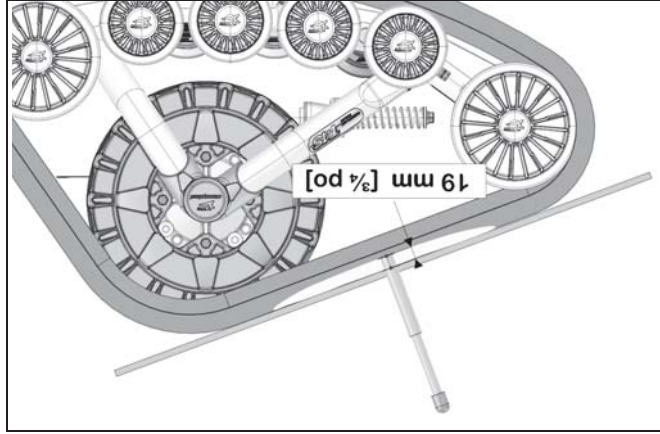


Figure 19

Tension de la chenille

Pour ajuster la tension de la chenille, desserrer le boulon de fixation (1) de l'ensemble tensionneur, reculer un peu le contre-écrou et ajuster la tension selon les recommandations en tournant l'écrou d'ajustement (2) dans le sens horaire ou anti-horaire. Voir la Figure 17.

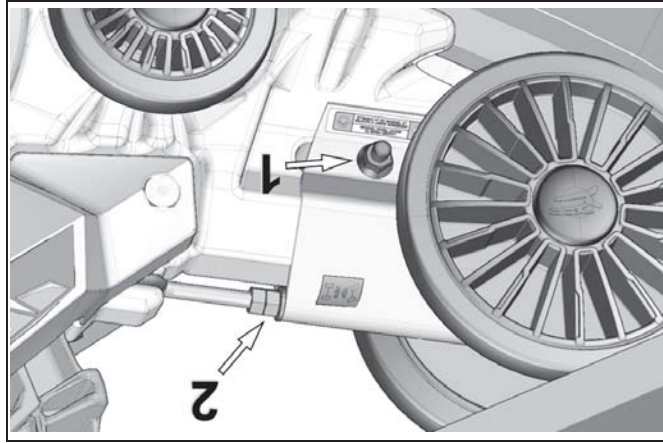


Figure 17

Une fois l'ajustement terminé, barrer l'écrou d'ajustement 14 mm avec le contre-écrou et serrer le boulon du tensionneur au couple recommandé.

NOTE : Se référer à la vue explosée pour le couple desserrage recommandé.

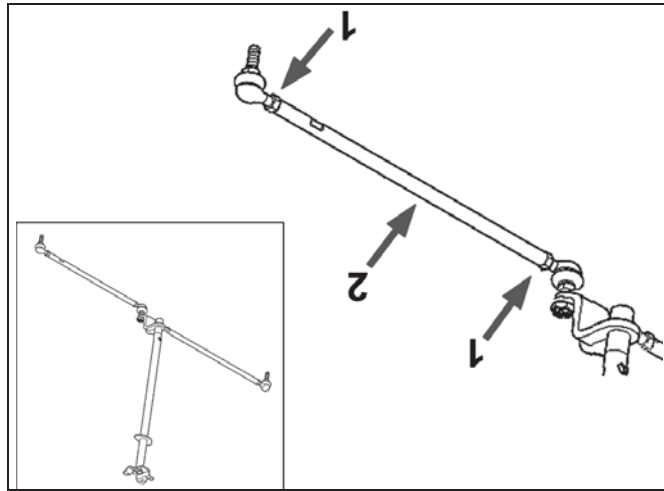


Figure 16

Pour effectuer ces ajustements sur le VTT, débloquer
premierement l'écrou (1) de chaque barre d'accouplement sur
le VTT et visser ou dévisser ensuite la tige de direction (2) d'un
nombre égal de tours des deux côtés du véhicule.

RÉGLAGES

Alignement

On exige d'ajuster le parallélisme lorsque que le VTT est placé sur le sol, en déplaçant celui-ci vers l'avant sur environ 3 mètres [10 pi.] pour ensuite mesurer le parallélisme. Voir la Figure 15.

NOTE : Chaque fois qu'on doit vérifier la mesure, conduire en marche arrière et repartir ensuite en marche avant sur environ 3 mètres [10 pi.].

NOTE : Vérifier l'état des composantes de la conduite avant d'effectuer l'ajustement du parallélisme. Des composantes endommagées vont empêcher un ajustement adéquat et nuire au bon fonctionnement du système.

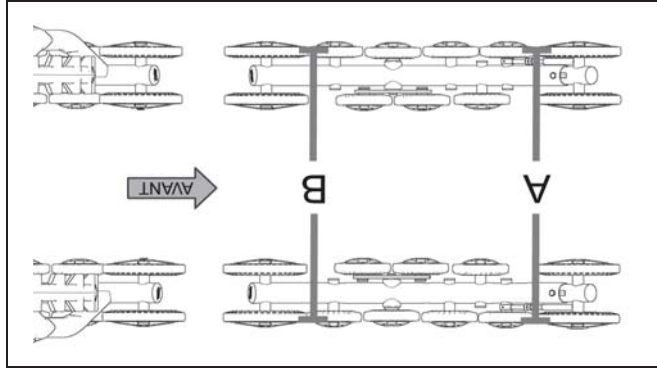


Figure 15

La **mesure A** représente la distance entre les roues extérieures de l'arbre avant.

La **mesure B** représente la distance entre les roues extérieures de l'arbre arrière.

$$A - B = \pm 3 \text{ mm [1/8 po.]}$$

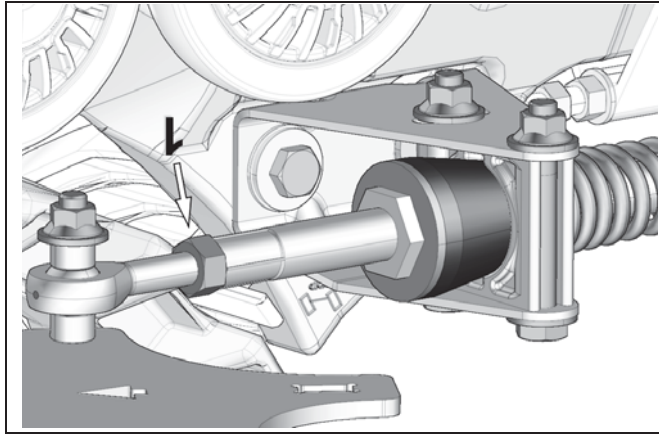
- En comprimant le cône de caoutchouc, on prévient les contacts possibles avec le marche-pied. Un cône de caoutchouc comprimé **nuît au bon fonctionnement** des systèmes.

- Un jeu plus élevé au niveau du cône de caoutchouc permet au véhicule de mieux surmonter les obstacles et de mieux flotter en **marche avant** dans la neige profonde et poudreuse.

Principes de réglage (systèmes arrière) :

NOTE : Une fois que les ajustements de l'angle d'attaque des systèmes arrière sont terminés, contre-vérifier les ajustements.

Figure 14



- Une fois le réglage atteint, resserrer le contre-écrou (1). Voir la Figure 14.

RÉGLAGES

- Positionner le support pivotant de l'ancrage anti-rotation à 90° (perpendiculaire) au bras stabilisateur. Serrez ensuite les deux boulons de fixation de l'ancrage anti-rotation (1) et (2) à un couple de 50 N·m. Voir la Figure 12.

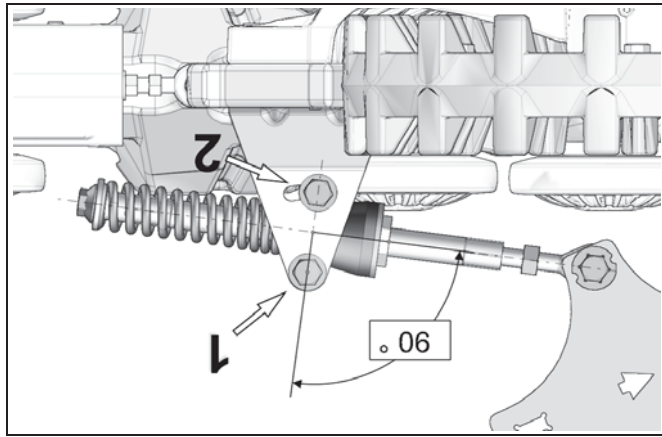


Figure 12

- Ajuster la longueur de l'embout à rotule (1) en tournant l'écran au bras stabilisateur jusqu'à ce que le cône de caoutchouc (2) entre légèrement en contact avec le support pivotant (3). Voir la Figure 13.

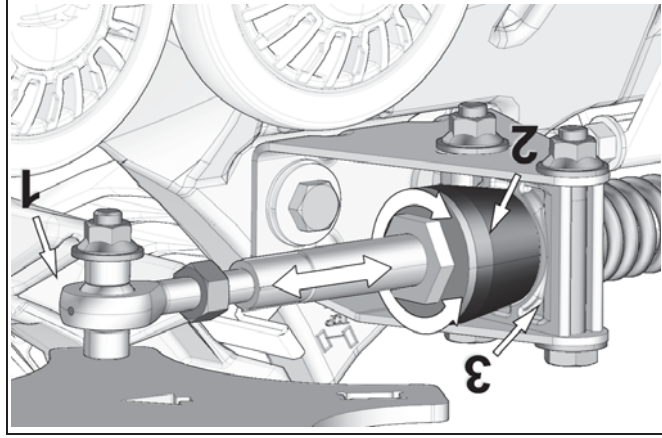


Figure 13

RÉGLAGES

- Desserer les boulons (1) et (2) de l'ancrage anti-pivot afin de permettre à la pièce de support (3) de pivoter. Voir la Figure 10.

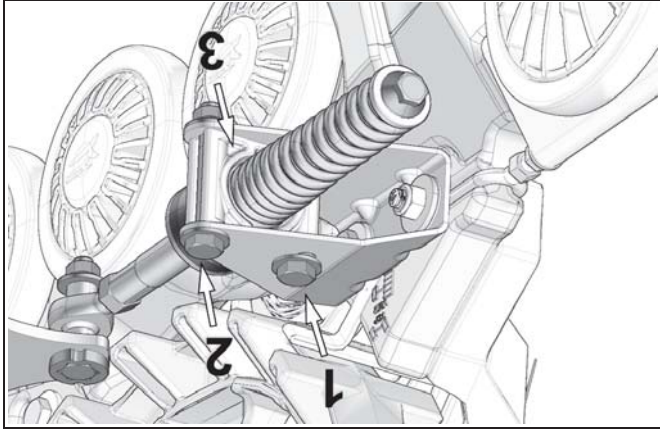


Figure 10

- Desserer le contre-écrou (1) de l'embout à rotule. Ajuster la longueur de l'embout à rotule de sorte qu'il n'y ait aucune pression sur le cône de caoutchouc (2). Voir la Figure 11.

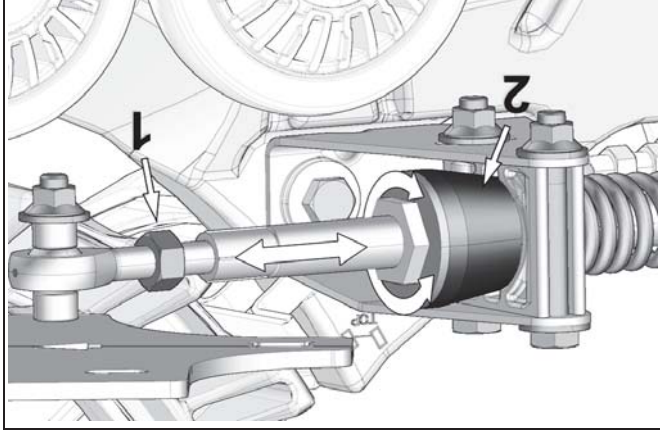


Figure 11

Angle d'attaque des systèmes arrière

Pour obtenir l'angle d'attaque prescrit au niveau des systèmes arrière, procéder comme suit :

- Le bras stabilisateur (1) doit être fixé à l'ancrage arrière (2) du véhicule. Voir la Figure 8.

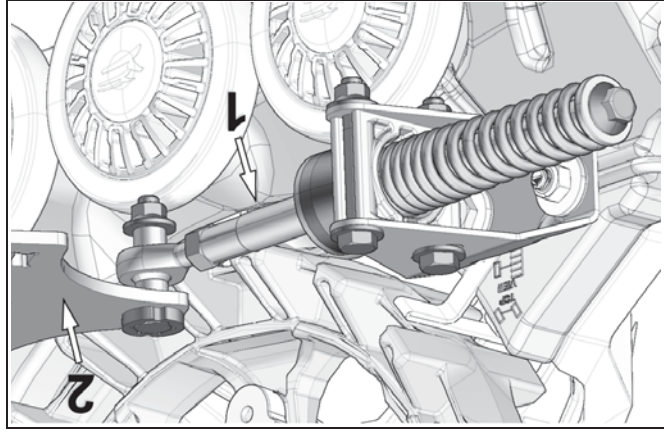


Figure 8

- Vérifier que le boulon du ressort (1) est serré au couple recommandé [40 N•m] et que les composantes du bras stabilisateur sont dans le bon ordre. Voir la Figure 9.

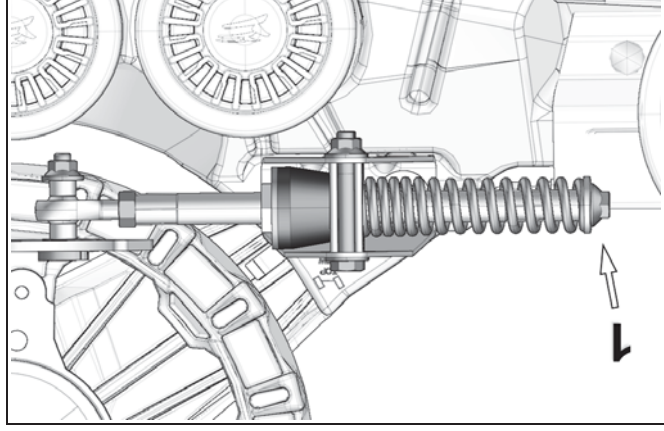


Figure 9

NOTE : Une fois les ajustements de l'angle d'attaque des systèmes avant terminés, vérifier les mesures afin de confirmer les ajustements.

- Un ajustement de moins de 270 mm [10 5/8 po.] mesuré au moyen de la barre plate a pour effet de raffermir la direction, et d'augmenter la stabilité à haute vitesse.
- Un ajustement de plus de 270 mm [10 5/8 po.] mesuré au moyen de la barre plate a pour effet de faciliter la direction et de produire un effet d'instabilité à haute vitesse.

Principes de réglage (systèmes avant) :

RÉGLAGES

RÉGLAGES

- Desserer le contre-écrou (1) de l'embout à rotule. Ajuster la longueur de l'embout (2) en tournant l'écrou au bras stabilisateur (3) pour obtenir un ajustement de **270 mm [10 5/8 po]** au dessus du sol. Voir la Figure 6.

NOTE : Avant chaque mesure de l'ajustement, exercer temporairement une pression sur le devant de la chenille pour s'assurer qu'elle repose à plat au sol.

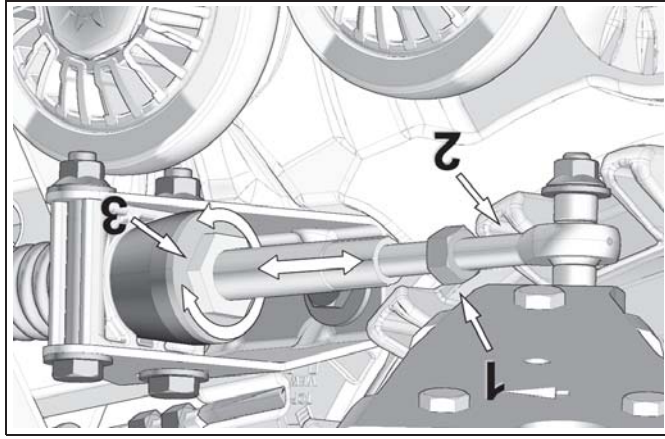


Figure 6

- Une fois le réglage atteint, resserrer le contre-écrou (1). Voir la Figure 7.

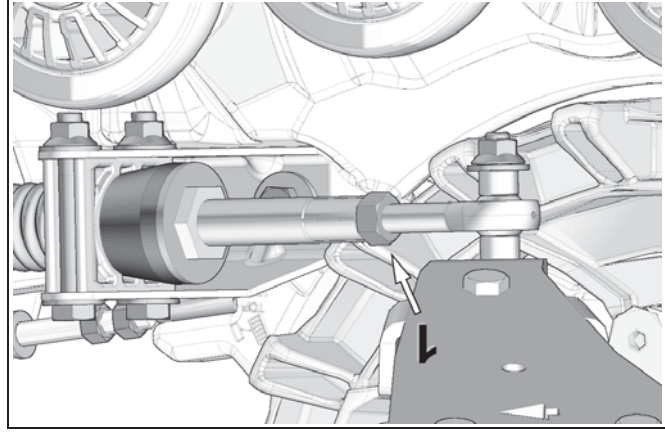


Figure 7

RÉGLAGES

- Vérifier que le boulon du ressort (1) est serré au couple recommandé [40 N•m] et que les composantes du bras stabilisateur sont dans le bon ordre. Voir la Figure 4.

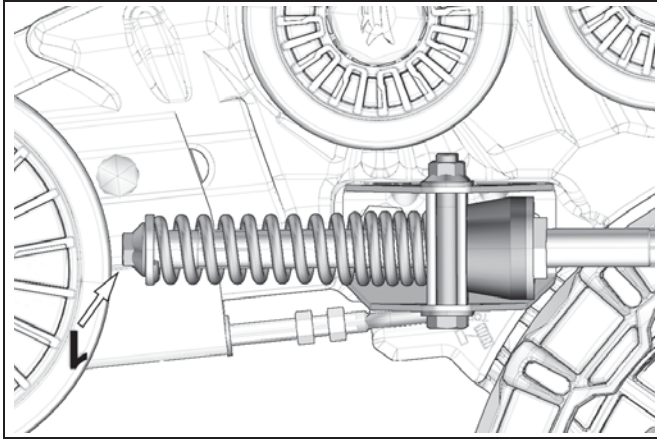


Figure 4

- Positionner une barre plate sur les deux roues arrière du système de traction et mesurer ensuite la hauteur au sol à l'aide d'une règle comme montré à la Figure 5.

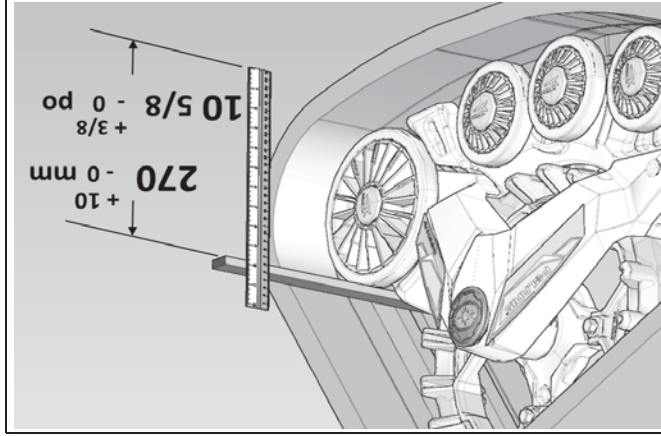


Figure 5

IMPORTANT

Les ajustements des systèmes doivent obligatoirement être vérifiés suite à la première utilisation du véhicule. L'alignement, la tension des chenilles et les angles d'attaque des systèmes doivent être contre-vérifiés. De mauvais ajustements peuvent nuire aux performances du système et entraîner une usure prématurée de certaines composantes.

NOTE : Pour effectuer les ajustements qui suivent, le véhicule doit être au sol sur une surface plane et au niveau.

Angle d'attaque des systèmes avant

Ajuster l'angle d'attaque prescrit au niveau des systèmes avant. Procéder comme suit :

- Placer les poignées du guidon bien droites.
- Exercer temporairement une pression sur le devant de la chenille pour s'assurer qu'elle repose à plat sur le sol.
- Le bras stabilisateur (1) doit être fixé à l'ancrage avant (2) du véhicule. Voir la Figure 3.

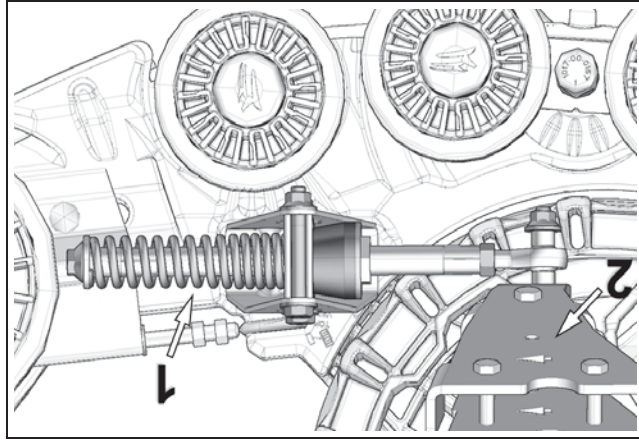


Figure 3

Réinstallation

Il est important de toujours nettoyer les moyeux de roue du VTT avant de procéder à l'installation des roues ou des systèmes de traction.

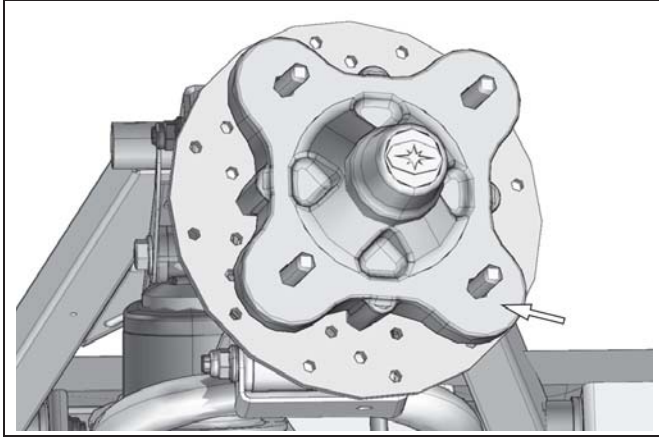


Figure 2

NOTE : Nettoyer les moyeux de roue.

- Réinstaller les systèmes de traction arrière.
- Réinstaller les systèmes de traction avant.
- Visser en croix au couple de serrage recommandé par le fabricant.
- Vérifier la tension de la chenille et ajuster, au besoin.
- Vérifier l'angle d'attaque des systèmes et ajuster, au besoin.
- Vérifier l'alignement et ajuster, au besoin.

NOTE : Pour plus de renseignements sur l'installation, consulter les « Directives d'installation » spécifiques à votre modèle de véhicule.

INSTALLATION, DÉMONTAGE ET RÉINSTALLATION

- Débouloonner la partie supérieure (1) et inférieure (2) de l'ancrage anti-rotation et retirer l'ancrage du bras de suspension.

NOTE : Laisser l'ancrage (2) attaché au bras stabilisateur (3).

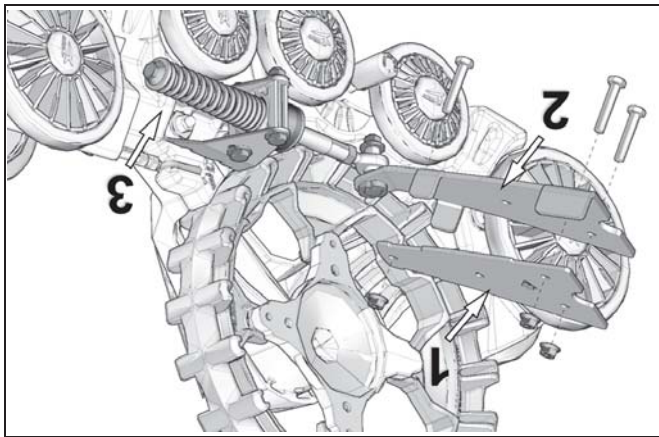


Figure 1

- Retirer les systèmes de traction.
- Réinstaller les roues.

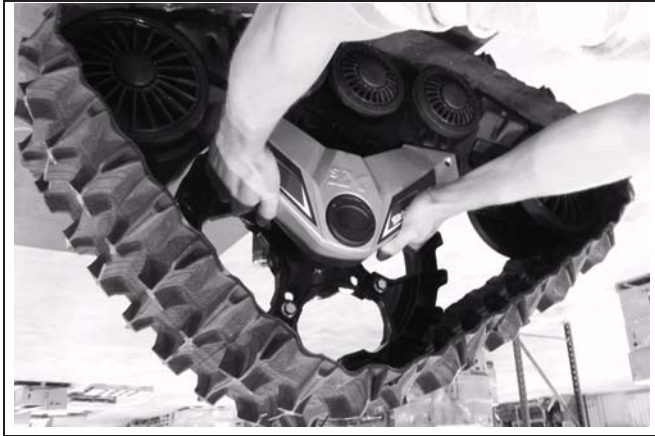
Au moyen d'un dispositif de levage, soulever le VTT et installer des supports appropriés. S'assurer que le véhicule est solidement immobilisé afin qu'on puisse y travailler.

ATTENTION: En laissant les ancrages de bras stabilisateurs fixés aux bras de suspension, il peut en résulter des dommages graves au véhicule. Ne jamais laisser des composantes autres que les pièces de renfort de la plaque de protection et du repose-pied.

Démontage

Effectuer toutes les tâches décrites dans les directives d'installation du véhicule. Ajuster l'angle d'attaque, l'alignement et la tension de la chenille de la façon décrite dans ce manuel. Essayer ensuite le véhicule et procéder à une vérification des ajustements après la première utilisation, réajuster au besoin.

Installation



AVERTISSEMENT
 Pour éviter toute blessure aux mains lors de la manipulation des systèmes, nous vous recommandons de manipuler les systèmes aux emplacements indiqués à la photo suivante.

INSTALLATION, DÉMONTAGE ET RÉINSTALLATION

AVERTISSEMENT

Ne jamais exposer des parties de votre corps sous le véhicule à moins que celui-ci ne repose sur des supports appropriés. Si le véhicule devait capoter ou se déplacer, cela pourrait vous occasionner des blessures graves. Ne pas utiliser un dispositif de levage en guise de support permanent.

Il est important de toujours respecter les pratiques de bon usage recommandées en atelier. Le lieu de travail doit être sécuritaire, propre, bien éclairé et bien aéré. Si on doit utiliser un vérin de plancher, il ne faut jamais l'utiliser comme un support. Utiliser toujours des supports appropriés. Pour éviter que le véhicule ne se déplace lors des manœuvres, placer des cales sous les roues qui restent en contact avec le sol. Ces recommandations s'appliquent également lorsqu'on procède au démontage de pièces.

AVERTISSEMENT

Avant de débiter l'installation, assurez-vous que le véhicule est immobilisé et que le moteur est coupé.

AVERTISSEMENT

Afin d'éviter toute possibilité de brûlure, laissez le moteur et l'échappement refroidir avant de débiter l'installation du système.

Il est important de lire attentivement ce manuel avant de procéder à l'installation. Veuillez consulter les instructions d'installation accompagnant le système en ce qui concerne votre modèle de VTT.

Lorsque le système est enlevé et que les roues sont réinstallées, assurez-vous de réinstaller toutes les composantes d'origine (roues, garde, protecteur joint homocinétique, etc.) tel qu'elles étaient à l'état initial sur le véhicule.

AVERTISSEMENT

Prévoir une plus longue distance de freinage et appliquer occasionnellement les freins en conduisant pour empêcher l'accumulation de glace au niveau des freins.

AVERTISSEMENT

Toujours observer les consignes et mises en garde du fabricant du VTT en ce qui concerne, par exemple, le transport des passagers, la limite de chargement, etc.

AVERTISSEMENT

Il est de la responsabilité du conducteur de respecter le programme de maintenance décrit plus loin dans le présent manuel.

Positionnement du câble lors d'un remorquage

AVERTISSEMENT

Lors d'un remorquage en cas d'enlèvement, ne jamais fixer le câble aux systèmes pour tracter le véhicule, le câble de remorquage doit être fixé au châssis du véhicule.

Recommandations spéciales

AVERTISSEMENT

Le conducteur doit faire preuve de vigilance et de prudence en tout temps. La neige poudreuse et la boue peuvent cacher des obstacles qui présentent un danger.

AVERTISSEMENT

L'installation de ce système aura pour effet de modifier le comportement du véhicule. Il est important de prendre le temps qu'il faut pour se familiariser avec les systèmes.

AVERTISSEMENT

Il est de la responsabilité du conducteur de vérifier que l'entrée d'air du véhicule est bien adaptée et ne présente aucun risque d'infiltration de neige.

AVERTISSEMENT

Lors de randonnées en groupe, il est important de mettre en garde les gens qui roulent derrière un véhicule muni de systèmes de traction, car ces derniers peuvent propulser des débris. Cela est d'autant plus important lors des randonnées sur pistes rocailleuses

AVERTISSEMENT

Adaptez votre conduite aux conditions environnantes (météo, circulation, etc.) et en tenant compte de vos aptitudes de conducteur.

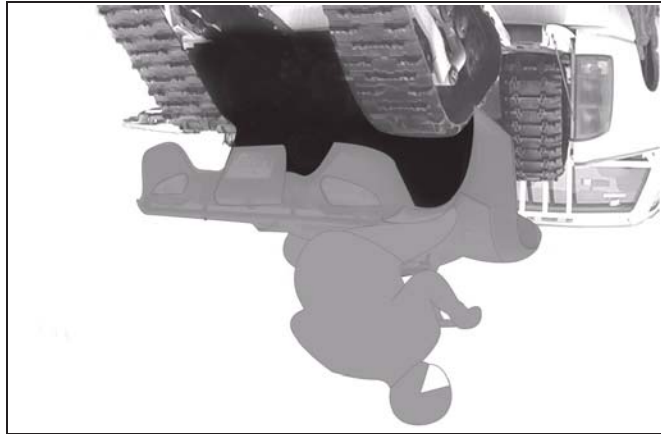
Effectuer des sauts



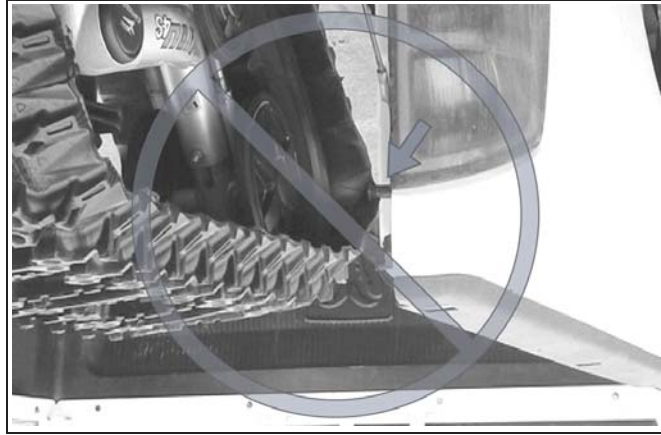
AVERTISSEMENT

Il est strictement défendu d'effectuer des sauts avec un véhicule équipé de systèmes de chenille. Les systèmes ne sont pas conçus pour effectuer ce genre de manœuvre. Un VTT muni d'un tel système ne se prête pas aux utilisations suivantes : compétitions, rallies, acrobaties, cascades, sauts ou autres utilisations extrêmes.

Chargement et déchargement d'un camion




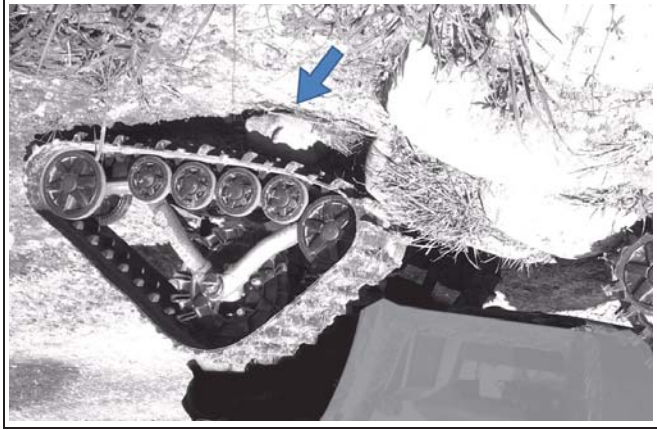
⚠ AVERTISSEMENT
Lors du chargement d'un véhicule dans une boîte de camion ou de son déchargement, il est extrêmement important de vous assurer que les chenilles avant ne s'agrippent pas aux goujons de fermeture du hayon de la boîte du camion car elles pourraient se déchirer.



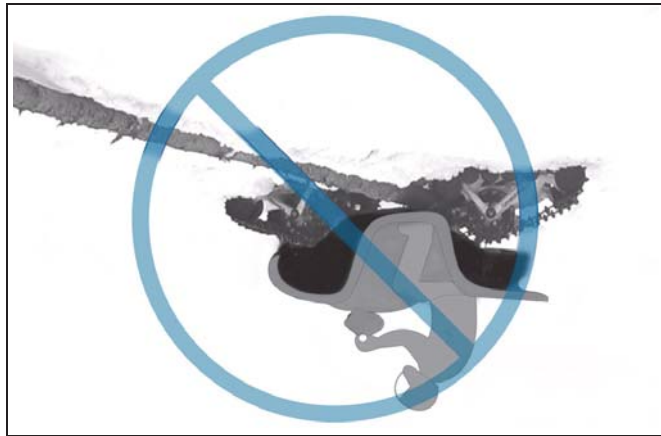
Franchir un obstacle de plus de 30 cm [12 po.]



AVERTISSEMENT  Lorsque'il est impossible de contourner un obstacle de plus de 30 cm [12 po.] de haut, tel un tronc d'arbre, une souche ou un gros caillou, insérer une bûche ou une pierre de taille suffisante à diminuer la hauteur de l'obstacle et faciliter le passage.



Franchir un obstacle



Franchir une crête abrupte



AVERTISSEMENT

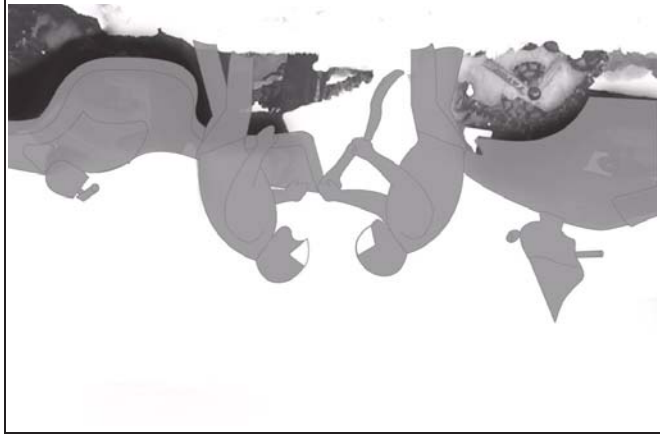
Il est déconseillé de tenter de franchir un obstacle, tel un tronc d'arbre, une souche, un gros caillou ou une crête abrupte, qui pourrait s'insérer entre les systèmes de chenille avant et arrière et immobiliser le véhicule. La meilleure option reste de contourner ce type d'obstacle.

Remorquage en cas d'enlèvement



AVERTISSEMENT

Si vous devez être remorqué à la suite d'un enlèvement, ne jamais tenter de tracter le véhicule dans la direction dans laquelle vous circulez lorsque vous êtes enlissé. Remorquer le véhicule de façon à ce qu'il ressorte par les traces qu'il a laissées en s'enlisant.

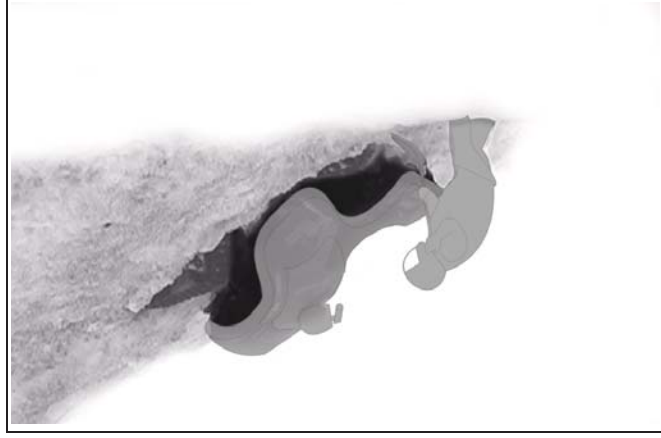


Descente et enlèvement en marche arrière




AVERTISSEMENT

Lorsque les systèmes de chenille arrière s'enlisent dans la neige, ne pas tenter de reculer ou de tracter vers l'arrière afin de sortir de cette situation. Les systèmes pourraient subir des bris. Si la situation le permet, avancer pour sortir de cette impasse. Il est recommandé de retirer la neige au-dessus des systèmes de chenille arrière et de compacter la neige avec vos pieds derrière ceux-ci afin de libérer les chenilles de leur enlèvement. Pelleter reste la meilleure alternative dans cette situation.



Descente en pente abrupte



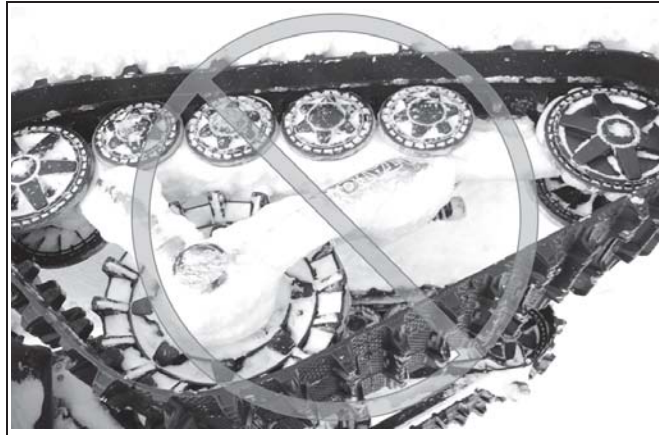
AVERTISSEMENT 

Le changement de direction lors de la descente d'une pente abrupte est déconseillé. Des bris majeurs au niveau du mécanisme de direction de votre VTT et aux systèmes de chenille peuvent survenir. Il est recommandé, lors de la descente d'une pente abrupte, de garder le guidon bien droit et d'amorcer le virage une fois que le VTT est sur un terrain plat de façon à éviter tout stress important aux composants du véhicule et du système.



AVERTISSEMENT

Avant chaque départ, s'assurer que les roues et les composants mobiles du système ne sont pas coincés ou gelés en place.



Vérification avant usage

NOTE : Le non respect de ces recommandations d'usage peut entraîner le refus d'une réclamation en vertu de la garantie

Lors de l'utilisation d'un véhicule équipé de systèmes de chenille, Nous vous suggérons fortement de suivre les recommandations suivantes afin de prévenir tout accident, et bris importants qui pourraient affecter les occupants, le véhicule ou les systèmes de chenille.

UTILISATION D'UN VTT MUNI DE SYSTÈMES

UTILISATION D'UN VTT MUNI DE SYSTÈMES

Avant de partir en excursion, assurez-vous d'avoir à la portée de la main les outils suivants : les clés 13 mm, 14 mm, 15 mm, 16 mm, 17 mm et 19 mm, une hache, une pelle, un câble de remorquage, un cric de levage et une clé à molette.

De façon générale, plus vous roulez lentement, meilleure sera la traction.

Lors des randonnées en terrain inconnu ou éloigné, assurez-vous d'avoir en votre possession un téléphone portable ou satellite, une trousse de premiers soins et des pièces de rechange.

Lorsque vous circulez hors des sentiers, ayez toujours en tête qu'il peut y avoir des obstacles dissimulés.

Lorsque vous circulez en neige profonde, évitez de faire patiner les chenilles (en les faisant tourner sans que le véhicule n'avance) car cela pourrait entraîner l'enlèvement du véhicule.

TRUCS ET CONSEILS

Tous les renseignements, figures et photos que l'on retrouve dans ce document sont à jour à la date de publication. Par contre, ils peuvent changer sans préavis.

Veillez lire et suivre les indications du manuel du propriétaire du VTT autant de fois que nécessaire. Son contenu reste toujours valide après l'installation du système.

Vous êtes responsable de faire lire ce document à toute autre personne qui sera appelée à conduire le VTT muni de systèmes.



Ce document fait partie intégrante du système. Remettez-le à tout nouveau propriétaire du système.

Consultez les autorités ayant des pouvoirs en vertu de la loi dans les endroits où vous circulerez avec votre VTT muni de systèmes avant toute utilisation et assurez-vous de respecter les lois et règlements en vigueur.

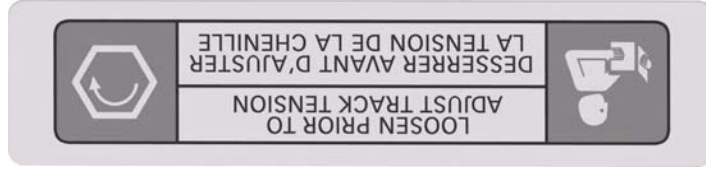
Les systèmes de traction pour VTT réduisent la pression au sol et augmentent la traction du véhicule. Lors d'une utilisation dans des conditions normales, la vitesse doit être réduite par rapport à celle d'un véhicule sur roues.

RENSEIGNEMENTS GÉNÉRAUX

RENSEIGNEMENTS GÉNÉRAUX

<p>MANUEL DE L'UTILISATEUR - Chaque utilisateur doit obligatoirement prendre connaissance du <i>Manuel de l'utilisateur</i> avant d'opérer un véhicule équipé de systèmes de chenille. Si les systèmes de chenille sont vendus ou transférés, de quelque manière que ce soit, à un nouvel utilisateur, le <i>Manuel de l'utilisateur</i> doit également être transféré au nouvel utilisateur.</p>	
<p>PIÈCES MOBILES - Garder les mains ou les doigts loin des pièces en mouvement. Elles présentent un risque de blessures graves ou de mort. Couper le moteur avant de faire l'entretien des systèmes de chenille.</p>	
<p>SECTION « MAINTENANCE » DU MANUEL DE L'UTILISATEUR - Suivre les instructions contenues dans la section « Maintenance » du <i>Manuel de l'utilisateur</i> pour s'assurer d'une utilisation sécuritaire et durable des systèmes de chenille.</p>	

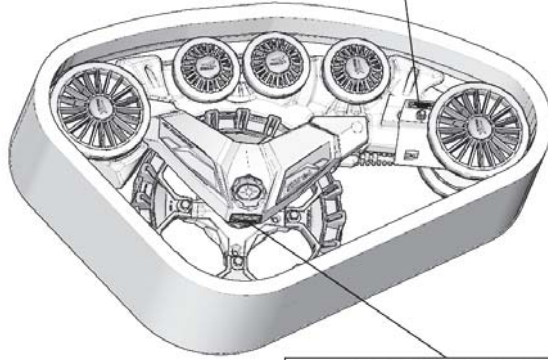
AVERTISSEMENT TENSIONNEUR



BOULON DU TENSIONNEUR - Le boulon de l'assemblage tensionneur doit absolument être desserré lors de l'ajustement de la tension de la chenille. Resserrer le boulon après avoir ajusté la tension de la chenille.

ÉTIQUETTES D'AVERTISSEMENT

On trouve aux châssis des systèmes de traction des avertissements. Lire attentivement et comprendre toutes les étiquettes apposées sur les systèmes. Elles contiennent des renseignements importants pour la sécurité et le bon fonctionnement des systèmes.



AVERTISSEMENT GÉNÉRAL


AVERTISSEMENT TENSIONNEUR

Ne jamais retirer les étiquettes apposées sur les systèmes. Si une étiquette est endommagée, faites-la remplacer par un concessionnaire Polaris autorisé.

AVERTISSEMENT GÉNÉRAL



On utilise, dans ce manuel, les symboles suivants afin de souligner des renseignements en particulier :

AVERTISSEMENT  Indique une situation possiblement dangereuse qui, si on ne parvient pas à l'éviter, pourrait entraîner la mort ou des blessures graves.

ATTENTION: Indique une situation possiblement dangereuse qui, si on ne parvient pas à l'éviter, pourrait entraîner des dommages aux composantes du véhicule.

NOTE : Aporte des renseignements supplémentaires.

IMPORTANT
Veuillez lire attentivement ce document en entier, ainsi que les directives d'installation particulières au modèle avant d'assembler, d'installer et d'utiliser le système de traction.

TABLE DES MATIÈRES

1	SECURITE
4	RENSEIGNEMENTS GENERAUX
4	TRUCS ET CONSEILS
5	UTILISATION D'UN VTT MUNI DE SYSTEMES
15	INSTALLATION, DEMONTAGE ET REINSTALLATION
19	REGLAGES
32	INSTALLATION D'UNE CHENILLE DE CAOUTCHOUC
34	PERIODE DE RODAGE
35	MAINTENANCE
41	LUBRIFICATION
50	COUPLES DE SERRAGE
50	REMISAGE
51	USURE
56	DEPANNAGE
57	EMPLACEMENT DES NUMEROS DE SERIE
60	DECLARATION DE CONFORMITE « CE »
	LISTE DE PIECES
	pages centrales

MANUEL DE L'UTILISATEUR



9925023 - VERSION A



2014

ENSEMBLE CHENILLES

PROSPECTOR^{PRO} ATV