

ADVENTURE TUNNEL BAG KIT



P/N 2882816

APPLICATION

Verify accessory fitment at Polaris.com.

NOTE

Removal of the Underseat Bag on 129 models is required to install the Adventure Tunnel Bag Kit.

IMPORTANT

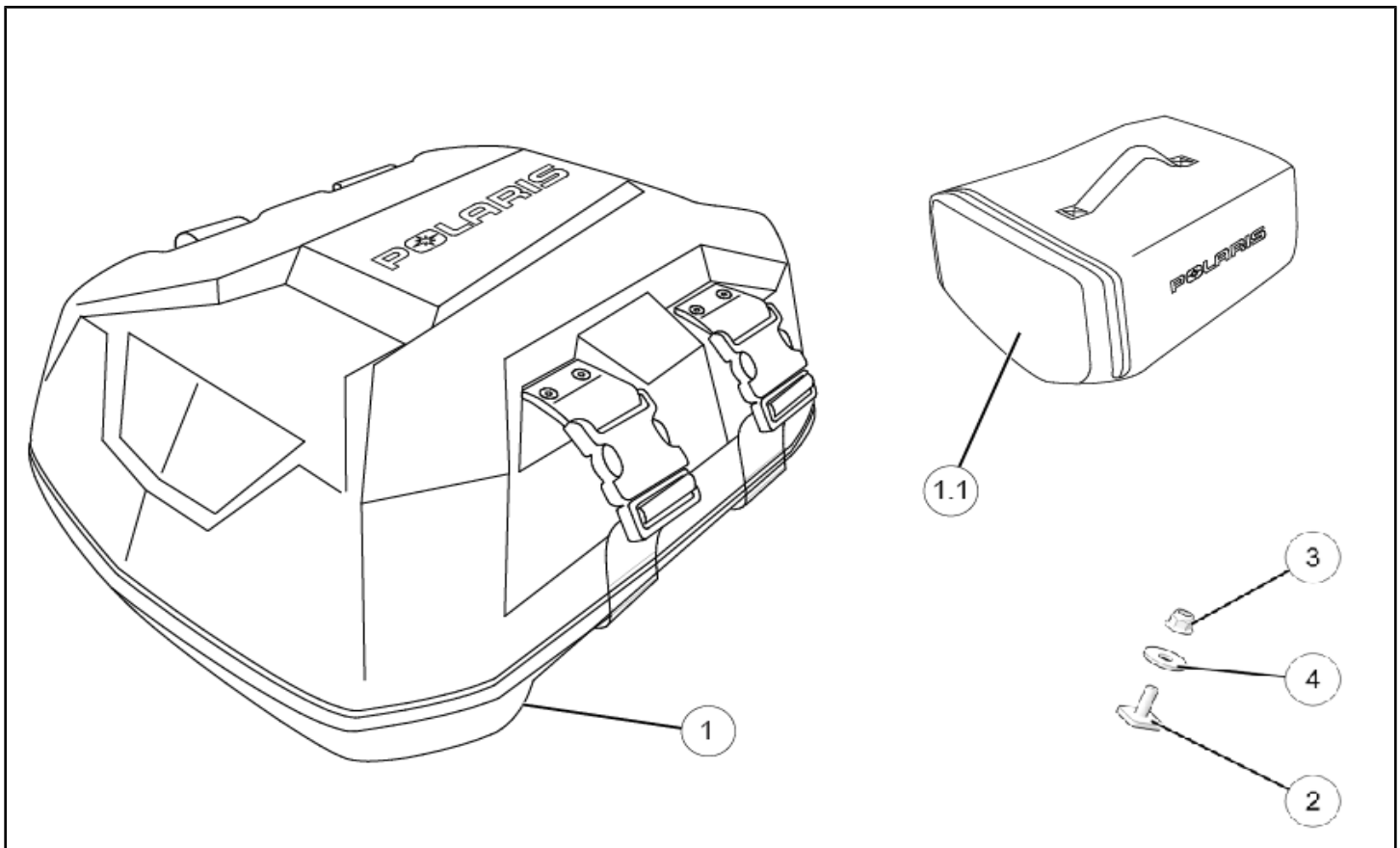
Accessory installation by anyone other than the end user requires a complete review of instructions with the end user prior to vehicle operation.

BEFORE YOU BEGIN

Read these instructions and check to be sure all parts and tools are accounted for. Please retain these installation instructions for future reference and parts ordering information.

KIT CONTENTS

This Kit includes:



REF	QTY	PART DESCRIPTION	PART NUMBER
1	1	Adventure Tunnel Bag Asm. (Includes Dry Bags - 1.1)	-
1.1	2	Dry Bag	-
2	4	Mounting Screw	7520514

REF	QTY	PART DESCRIPTION	PART NUMBER
3	4	Locking Nut	7547453
4	4	Flat Washer	7556386

TOOLS REQUIRED

- Safety Glasses
- Socket Set, Metric
- Torque Wrench

CONSUMABLES REQUIRED

- Cleaning Solution (99% water + 1% mild dishwashing detergent)
- Cloth, Non-Abrasive (Cheesecloth or equivalent)

IMPORTANT

Your Adventure Tunnel Bag Kit is exclusively designed for your vehicle. Please read the installation instructions thoroughly before beginning. Installation is easier if the vehicle is clean and free of debris. For your safety, and to ensure a satisfactory installation, perform all installation steps correctly in the sequence shown.

ASSEMBLY TIME

Approximately 12 minutes

NOTE

Additional time may be required for optional steps, or to accommodate other installed accessories.

INSTALLATION INSTRUCTIONS

CAUTION

BEFORE STARTING INSTALLATION, always ensure vehicle is on a flat stable surface and is properly secured to avoid accidental tipping or other movement to prevent personal injury and/or damage to equipment.

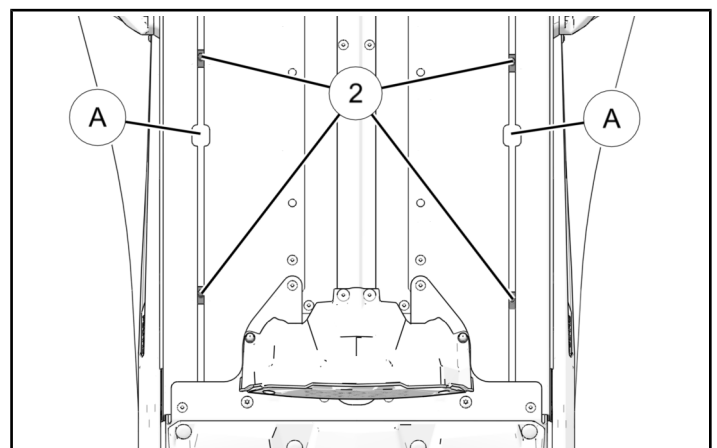
If applicable, turn key to "OFF" position and remove from vehicle.

IMPORTANT

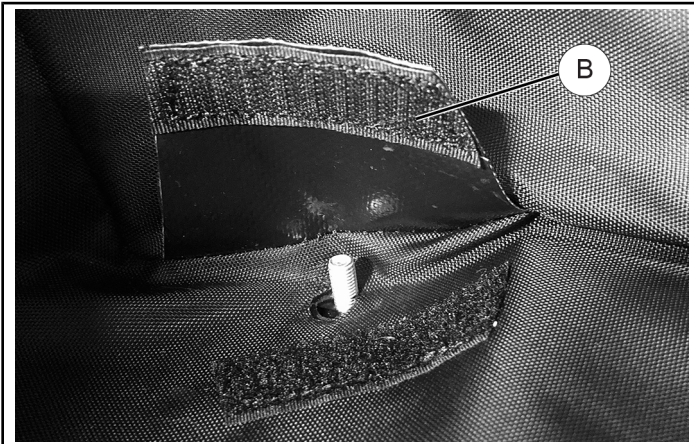
- **DO NOT** carry sharp or pointed objects inside the bag.
- Maximum carrying capacity is 20 lbs. (9 Kg)

1. Clean off the top of the tunnel and ensure hardware mounting channels are clean and free of debris using a non-abrasive cloth and mild cleaning solution.

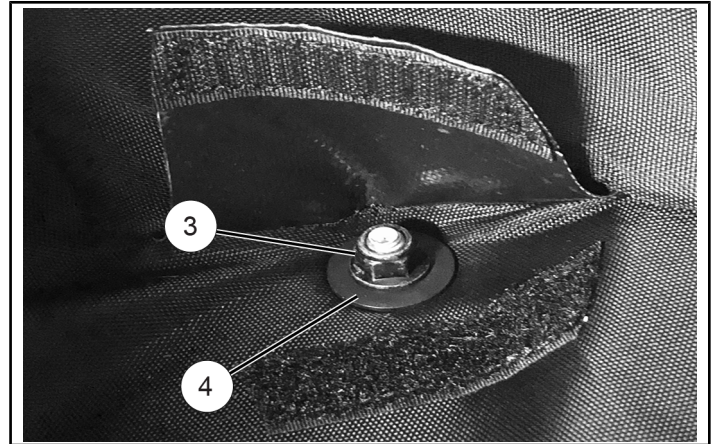
2. Insert mounting screws ② into opening ① in top of tunnel and slide into the approximate positions as shown.



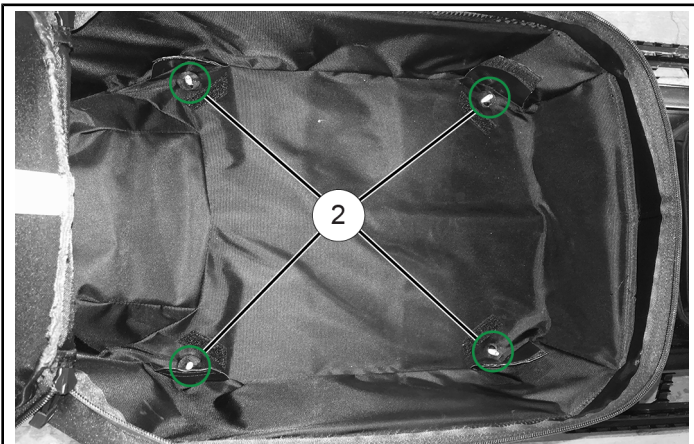
3. Empty contents of bag and open the hardware cover flaps ⑥ located in each corner to expose the mounting hole locations and allow the screw through the bag.



6. Once in position, place one each of the supplied flat washers ④ and locking nuts ③ onto each of the mounting screws. DO NOT TIGHTEN at this time.



4. Orient the bag so the formed indentation on the bottom rear of the bag is towards the rear. This indentation is meant to provide clearance for the tail light housing.
5. Lower the bag into position and ensure all four mounting screws ② are completely thru the mounting holes located in each corner of the bag.



7. Slide entire bag assembly back into position towards the rear of the vehicle against the tail light as shown.



8. Torque mounting fasteners ③ to specification provided.

TORQUE

7 ft. lbs. (9.5 Nm)

9. Secure the hardware cover flaps back over the top of the installed hardware.

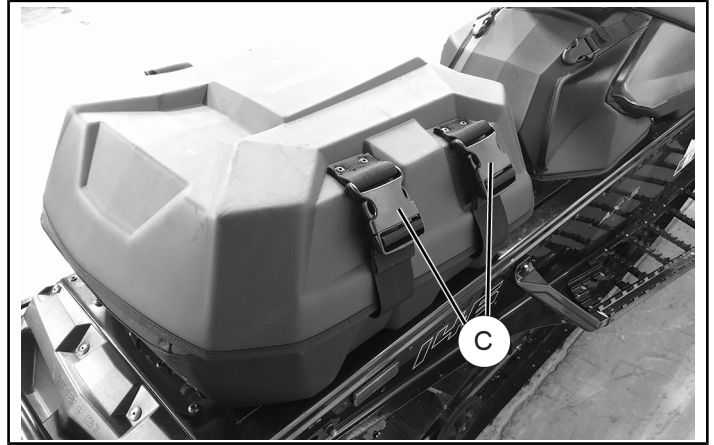
10. Place previously removed auxiliary bags back into the main tunnel bag being sure they are fully zipped.



11. Fully zip the main tunnel bag.



12. Lastly, secure the main tunnel bag lid using the four (two on each side) lid closure buckles (C).



13. Verify all steps have been completed and all tools are accounted for.

FEEDBACK FORM

A feedback form has been created for the installer to provide any comments, questions or concerns about the installation instructions. The form is viewable on mobile devices by scanning the QR code or by clicking [HERE](#) if viewing on a PC.

FEEDBACK FORM

