

SNOWBOARD RACK KIT



P/N 2881251

APPLICATION

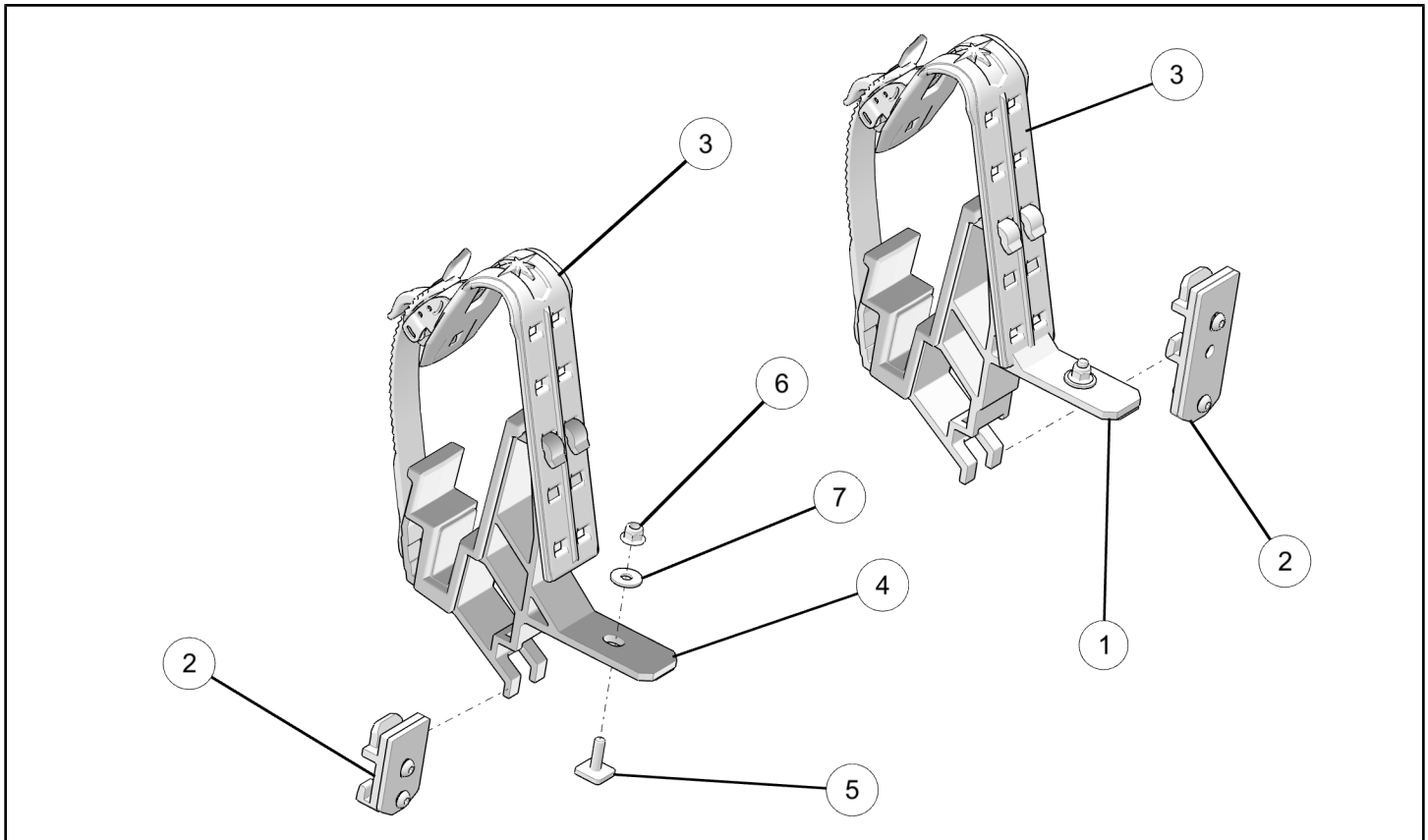
Pro Ride RMK 155 and 163, Axys RMK 155, 163, and 174

BEFORE YOU BEGIN

Read these instructions and check to be sure all parts and tools are accounted for. Please retain these installation instructions for future reference and parts ordering information.

KIT CONTENTS

This Kit includes:



REF	QTY	PART DESCRIPTION	PART NUMBER
1	1	Front Rack Mount Assembly	2687269
2	1	Rack Mount Plate Assembly	2687270
3	2	Ski/Snow Rack Strap Assembly	2687271
4	1	Rear Rack Mount Assembly	2687272
5	2	Screw - M6 X 1.0 X 20	7520464
6	2	Nut, Hex Flange - M6 X 1.0	7547487
7	2	Washer - 6.4 X 18.0 X 1.6	7556565
	1	Instructions	9927132

TOOLS REQUIRED

- Safety Glasses
- 1/4" Drill Bit
- 10mm Wrench
- 4mm Hex Key
- Center Punch
- Drill

IMPORTANT

Your SNOWBOARD RACK KIT is exclusively designed for your vehicle. Please read the installation instructions thoroughly before beginning. Installation is easier if the vehicle is clean and free of debris. For your safety, and to ensure a satisfactory installation, perform all installation steps correctly in the sequence shown.

ASSEMBLY TIME

Approximately 45 minutes

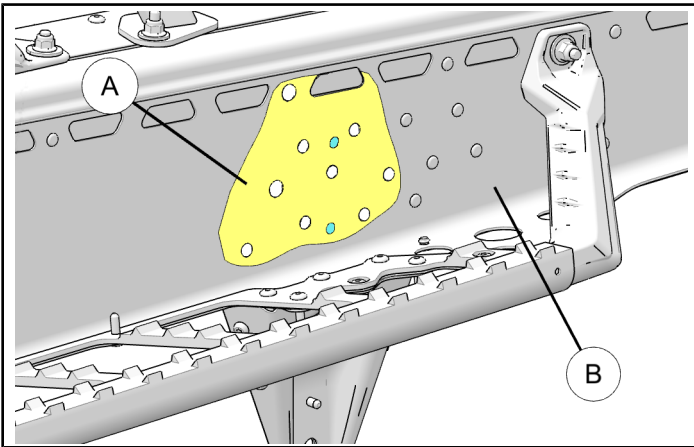
INSTALLATION INSTRUCTIONS

1. Based on your sled, select appropriate template (A) available on last page of instructions. Cut out the template and align it on tunnel (B) of your sled for marking holes for front and rear rack mount installation. Use center punch for hole markings.

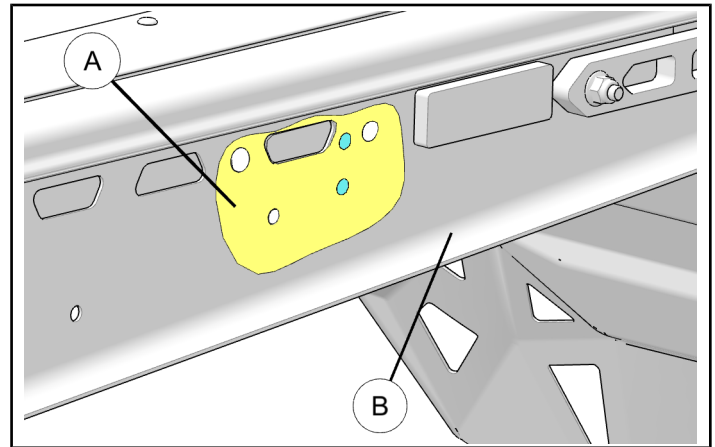
NOTE

Below images reference template alignment and hole markings on tunnels for Pro Ride RMK and Axy's RMK sleds. The two holes to be marked are shown in blue color.

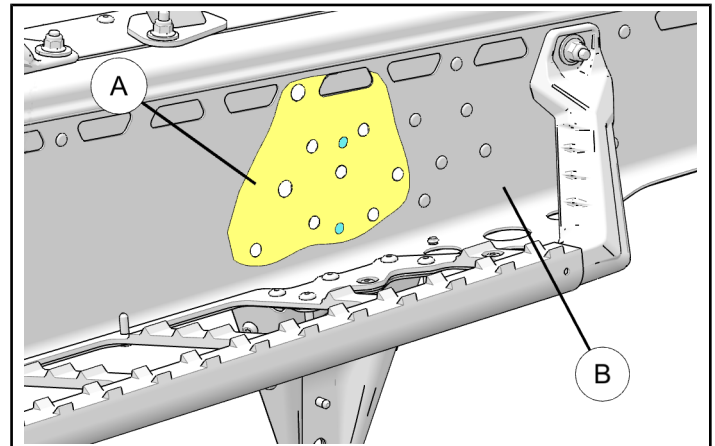
Axy's RMK 155 Front Template



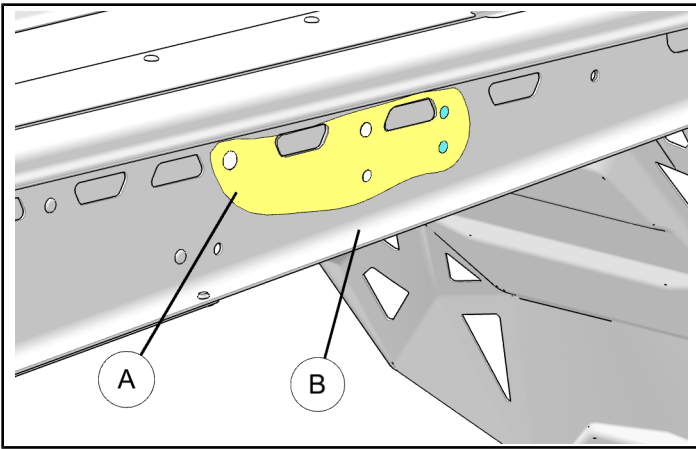
Axy's RMK 155 Rear Template



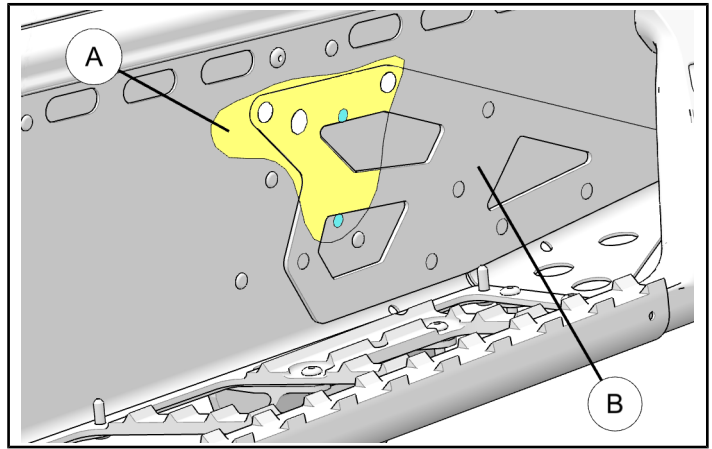
Axy's RMK 163 Front Template



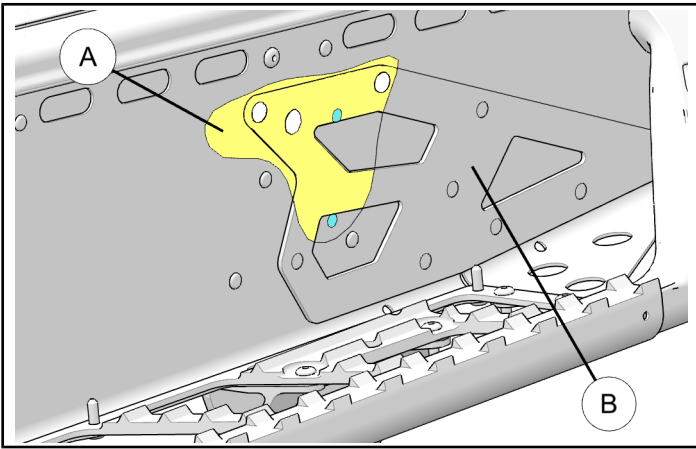
Axys RMK 163 Rear Template



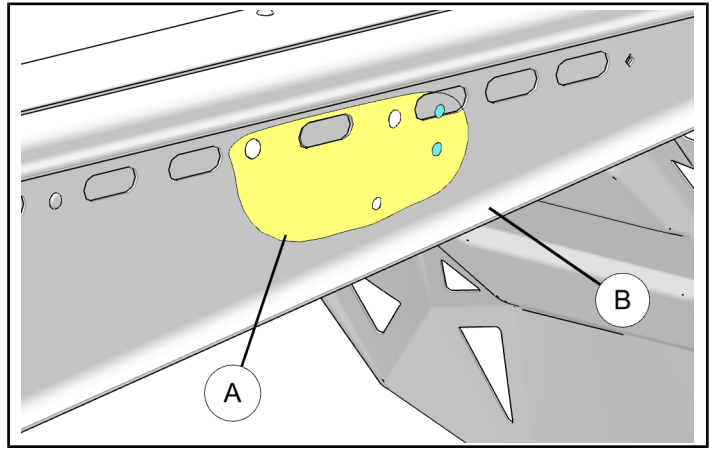
Pro-Ride RMK 163 Front Template



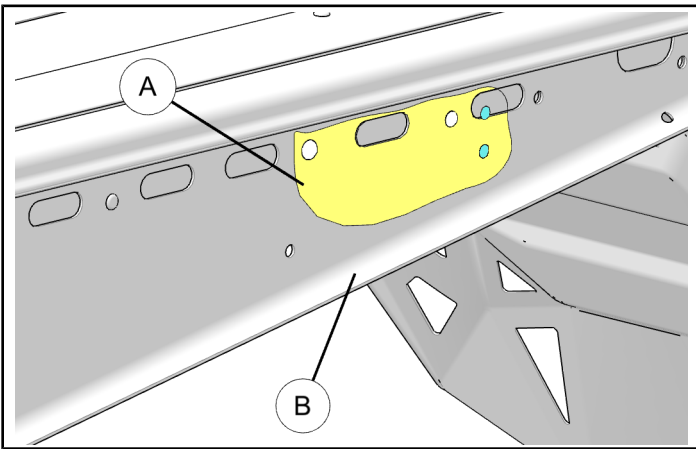
Pro-Ride RMK 155 Front Template



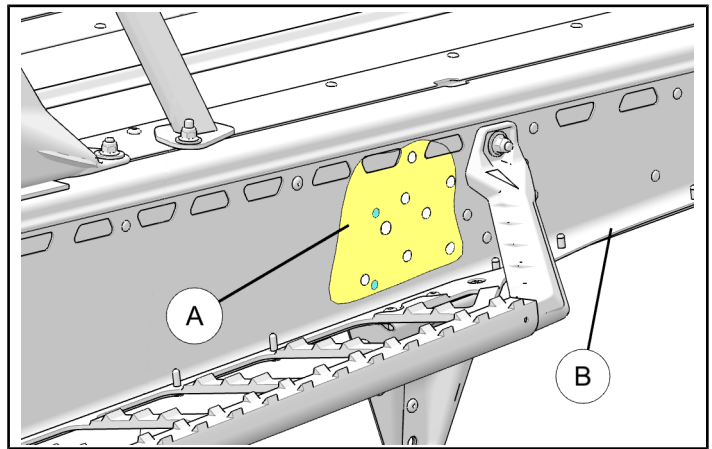
Pro-Ride RMK 163 Rear Template



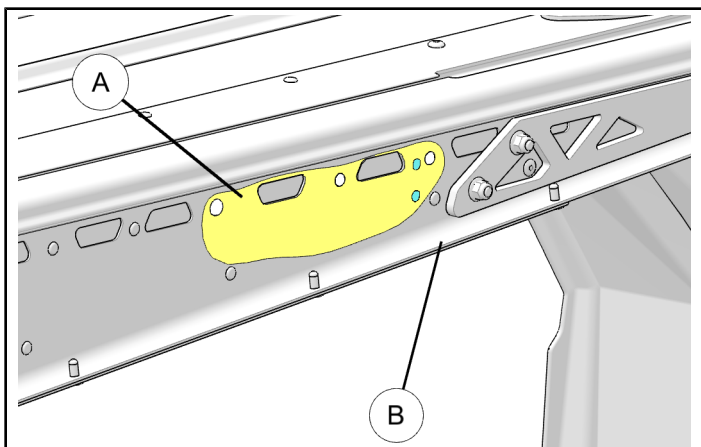
Pro-Ride RMK 155 Rear Template



Axys RMK 174 Front Template



Axys RMK 174 Rear Template

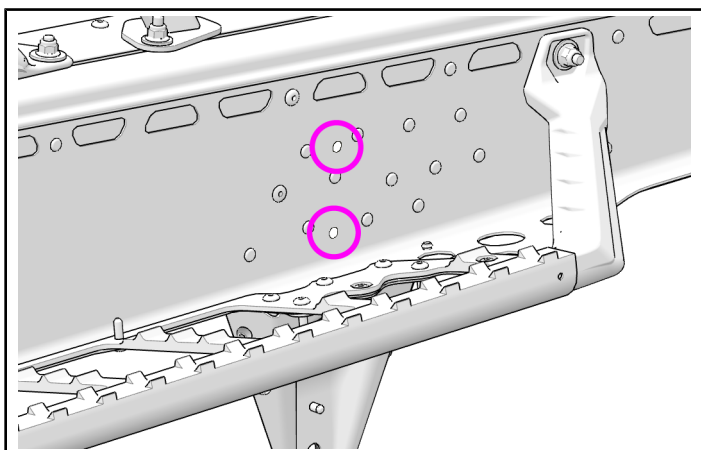


2. Drill holes on the tunnel in marked locations for installing front and rear rack mount plate assemblies (2). Use 1/4" drill bit and hand held drill for drilling holes.

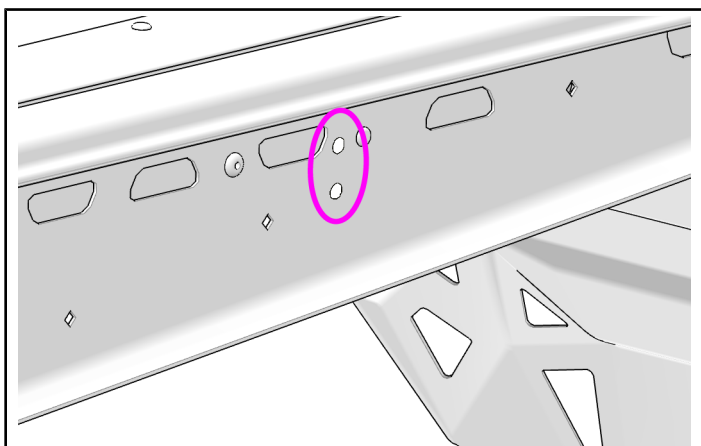
NOTE

Below images shown are for Axys RMK 155 sled. Your sled tunnels and hole locations will look slightly different.

Axys RMK 155 Front Mounting Holes



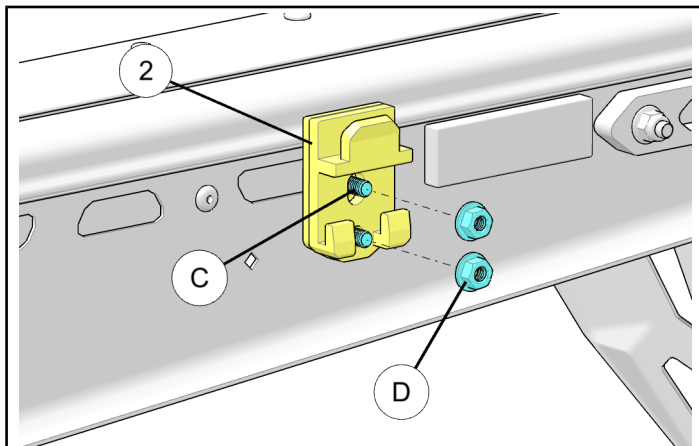
Axys RMK 155 Rear Mounting Holes



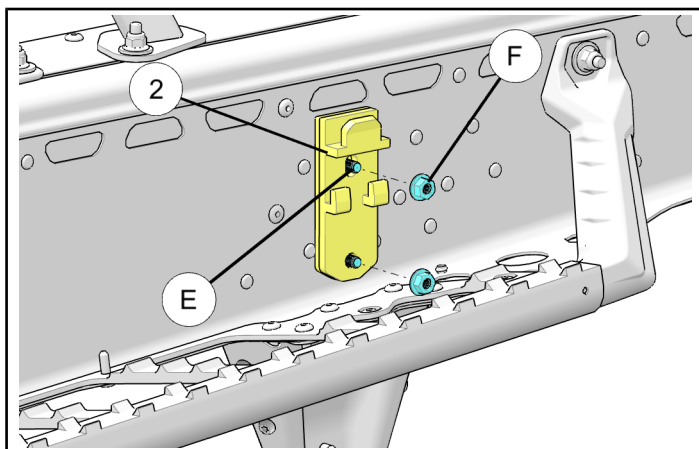
3. Align holes on rear mount plate (2) with previously drilled holes on tunnel and install screws (C) and nuts (D) as shown. Use 10mm wrench and 4mm hex key for fastener installation.

NOTE

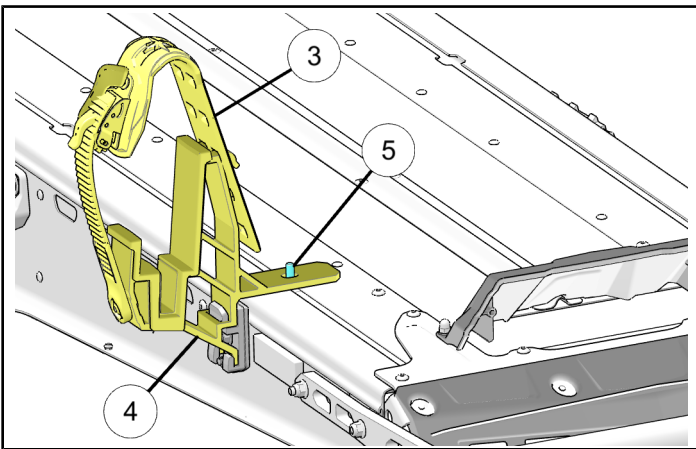
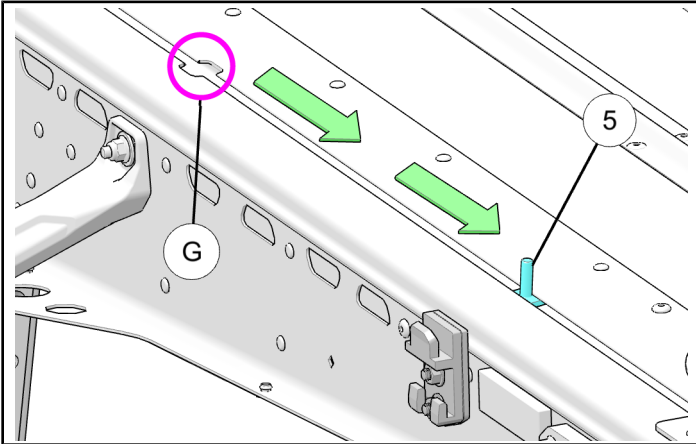
If an extreme rear bumper is installed, do not use the spacer.



4. Align holes on front mount plate (2) with previously drilled holes on tunnel and install screws (E) and nuts (F) as shown. Use 10mm wrench and 4mm hex key for fasteners installation.



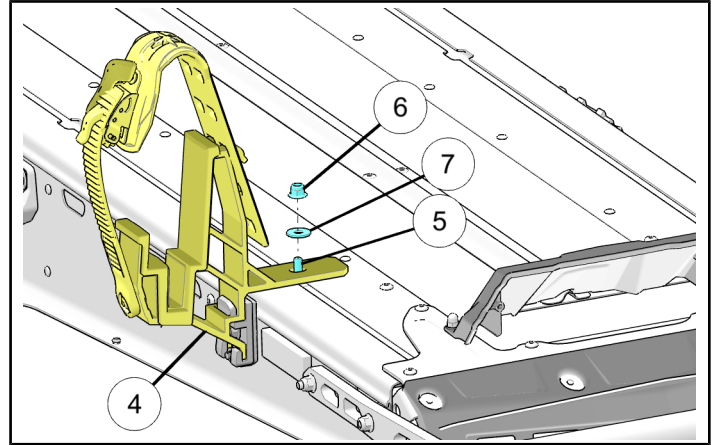
5. Place screw ⑤ in the T slot (G) and slide towards rear rack mount plate location as shown. Install rear rack mount assembly ④ onto rear rack plate ② and screw ⑤ as shown.



6. Install nut ⑥ and washer ⑦ onto screw ⑤. Torque nut to specification.

TORQUE

4.42 ft. lbs. (6 Nm)



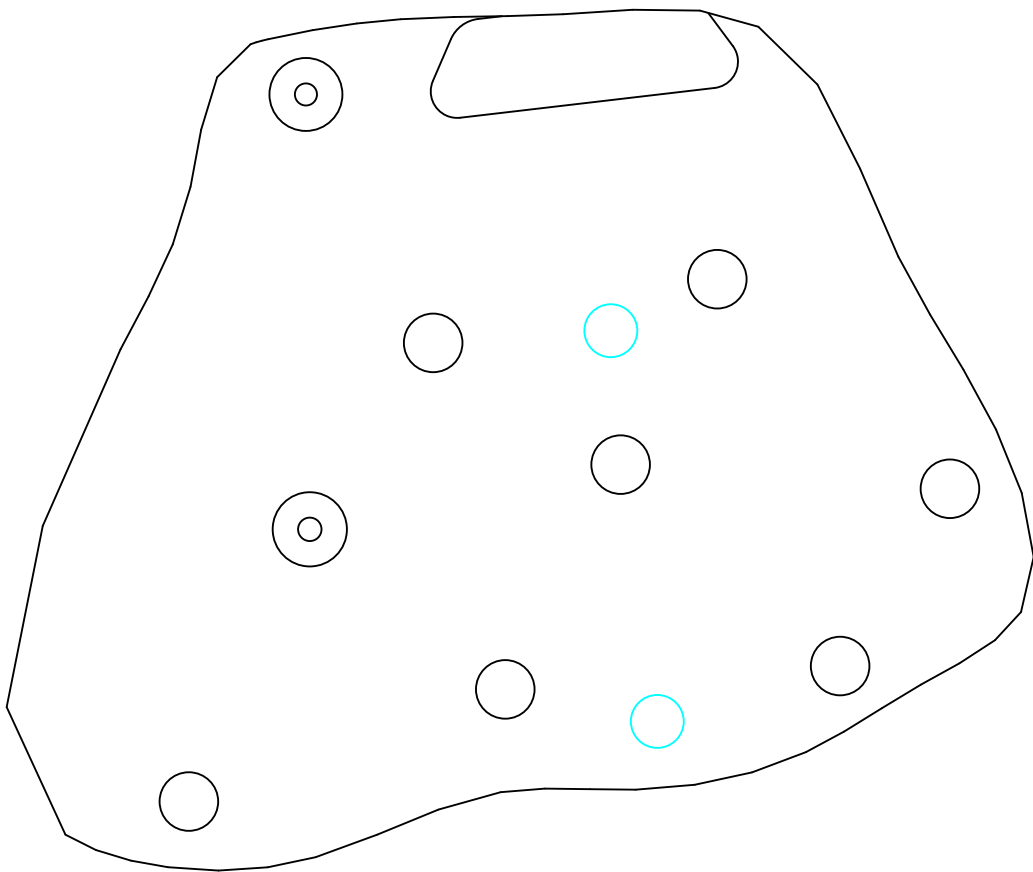
7. Repeat Steps 5-6 for front rack mount assembly ① installation.

THIS PAGE IS INTENTIONALLY LEFT BLANK

Axys RMK 155 Front Mount Template

NOTE

If printing from electronic file, ensure print settings indicate "Actual Size" (not "Fit").

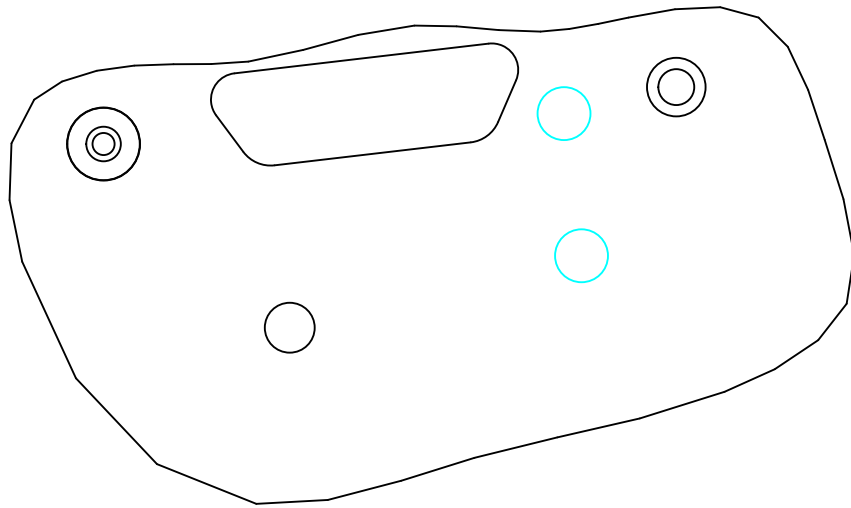


THIS PAGE IS INTENTIONALLY LEFT BLANK

Axys RMK 155 Rear Mount Template

NOTE

If printing from electronic file, ensure print settings indicate "Actual Size" (not "Fit").

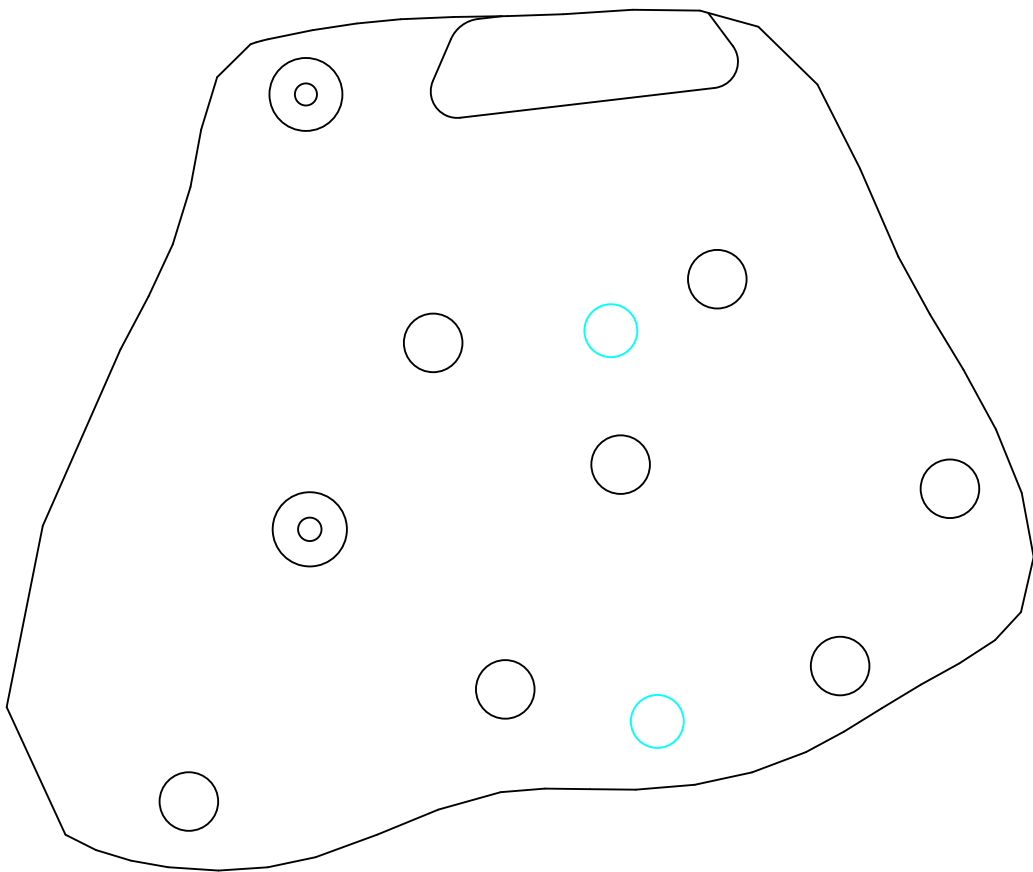


THIS PAGE IS INTENTIONALLY LEFT BLANK

Axys RMK 163 Front Mount Template

NOTE

If printing from electronic file, ensure print settings indicate "Actual Size" (not "Fit").

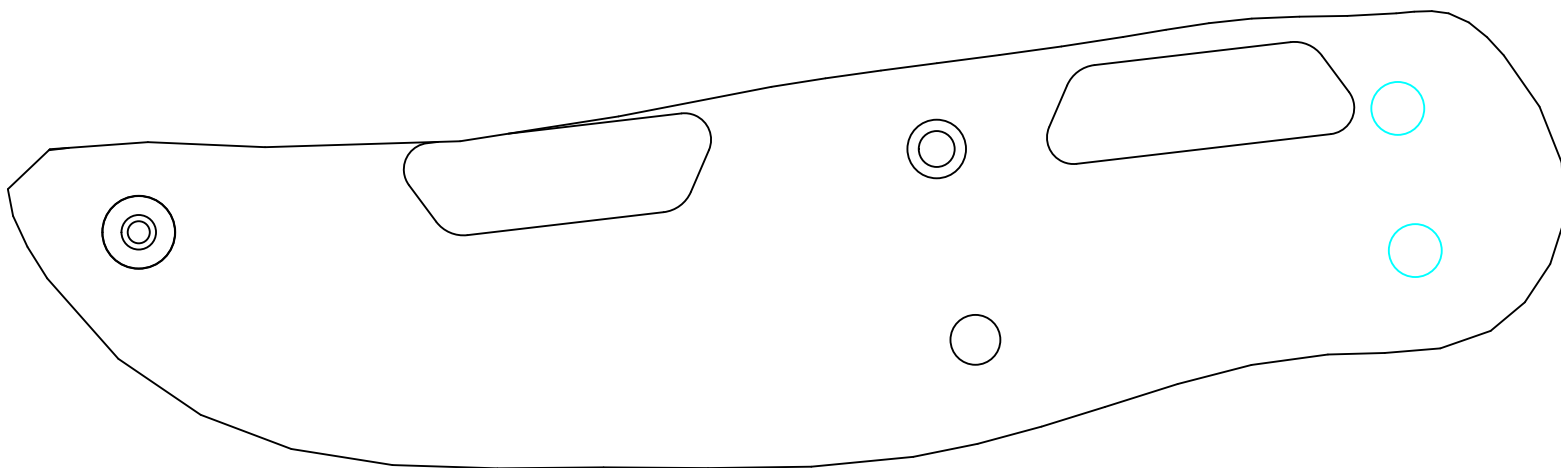


THIS PAGE IS INTENTIONALLY LEFT BLANK

Axys RMK 163 Rear Mount Template

NOTE

If printing from electronic file, ensure print settings indicate "Actual Size" (not "Fit").

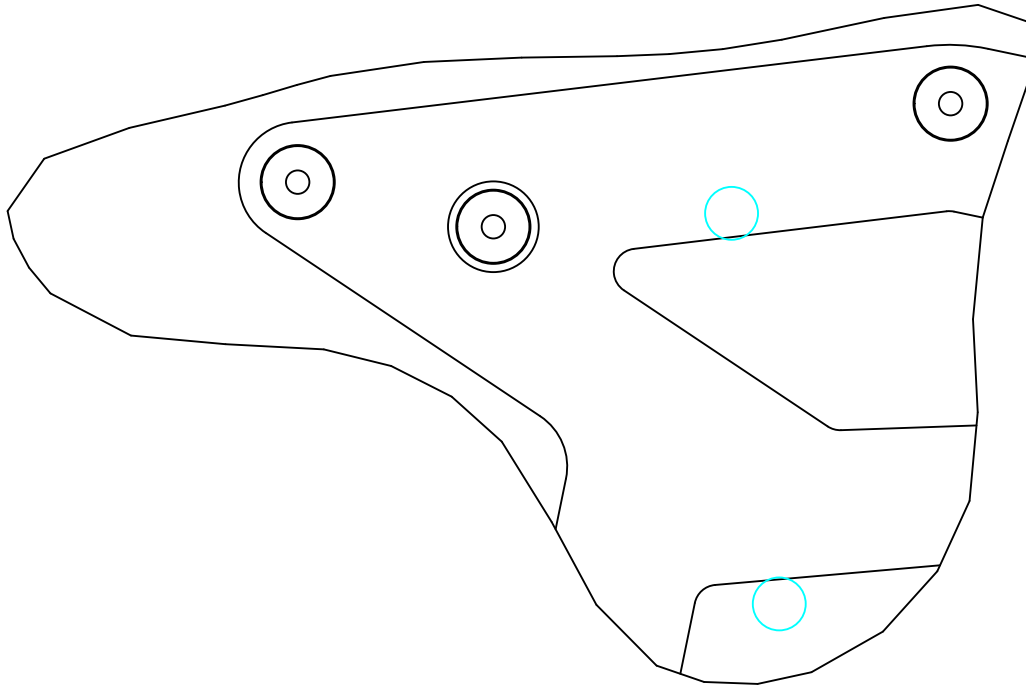


THIS PAGE IS INTENTIONALLY LEFT BLANK

Pro-Ride RMK 155 Front Mount Template

NOTE

If printing from electronic file, ensure print settings indicate "Actual Size" (not "Fit").

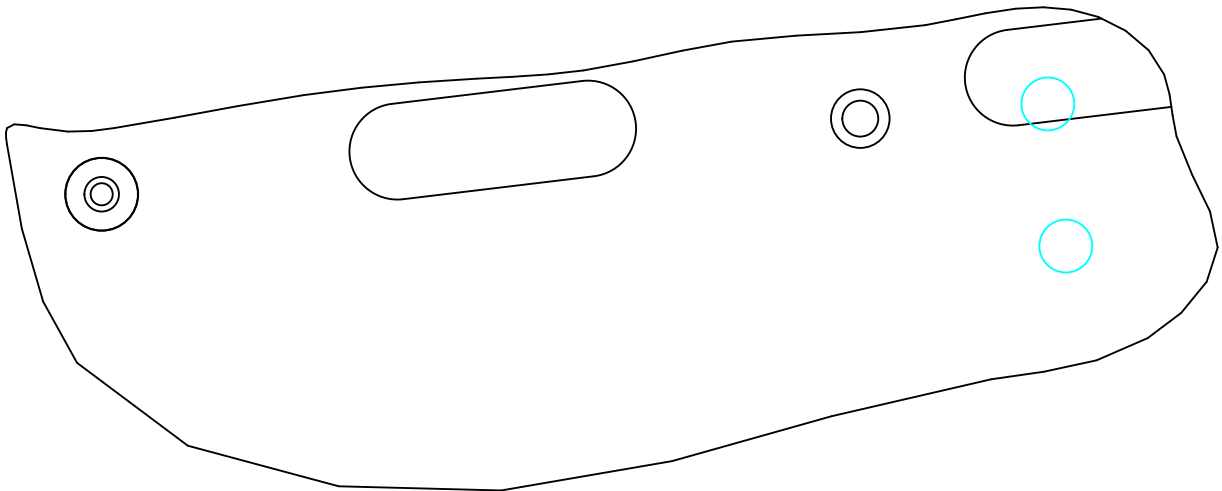


THIS PAGE IS INTENTIONALLY LEFT BLANK

Pro-Ride RMK 155 Rear Mount Template

NOTE

If printing from electronic file, ensure print settings indicate "Actual Size" (not "Fit").

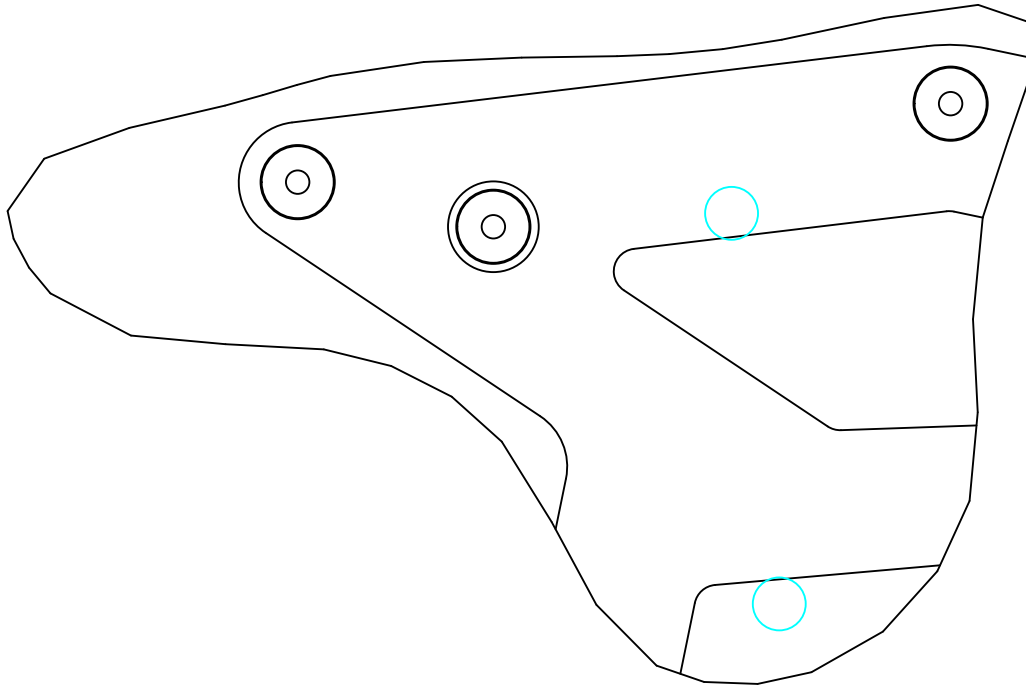


THIS PAGE IS INTENTIONALLY LEFT BLANK

Pro-Ride RMK 163 Front Mount Template

NOTE

If printing from electronic file, ensure print settings indicate "Actual Size" (not "Fit").

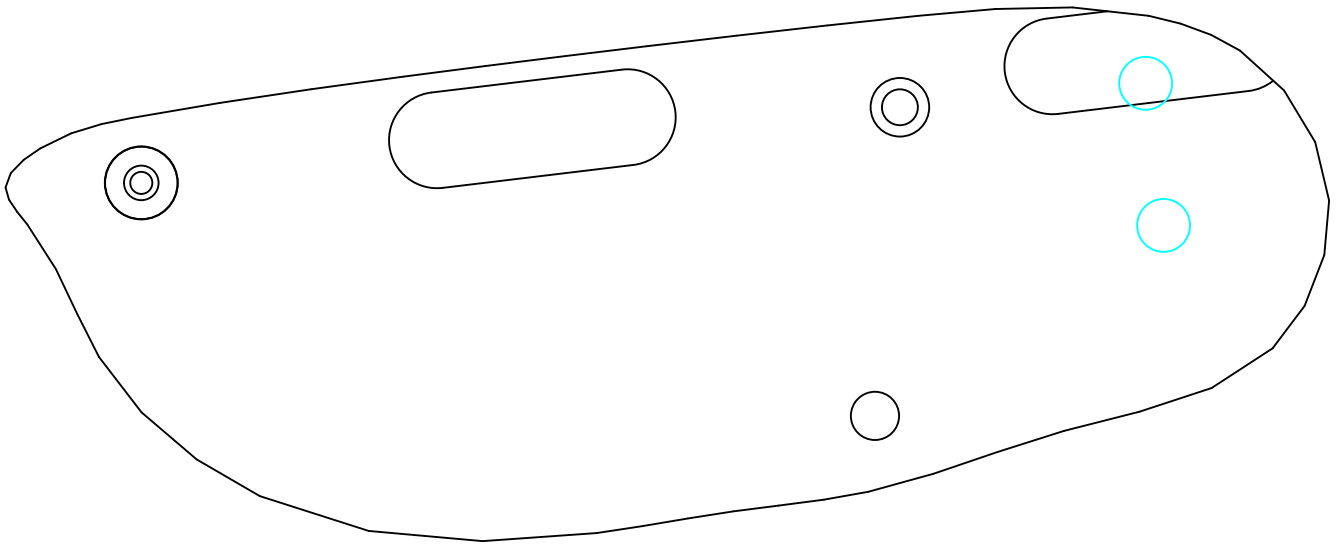


THIS PAGE IS INTENTIONALLY LEFT BLANK

Pro-Ride RMK 163 Rear Mount Template

NOTE

If printing from electronic file, ensure print settings indicate "Actual Size" (not "Fit").

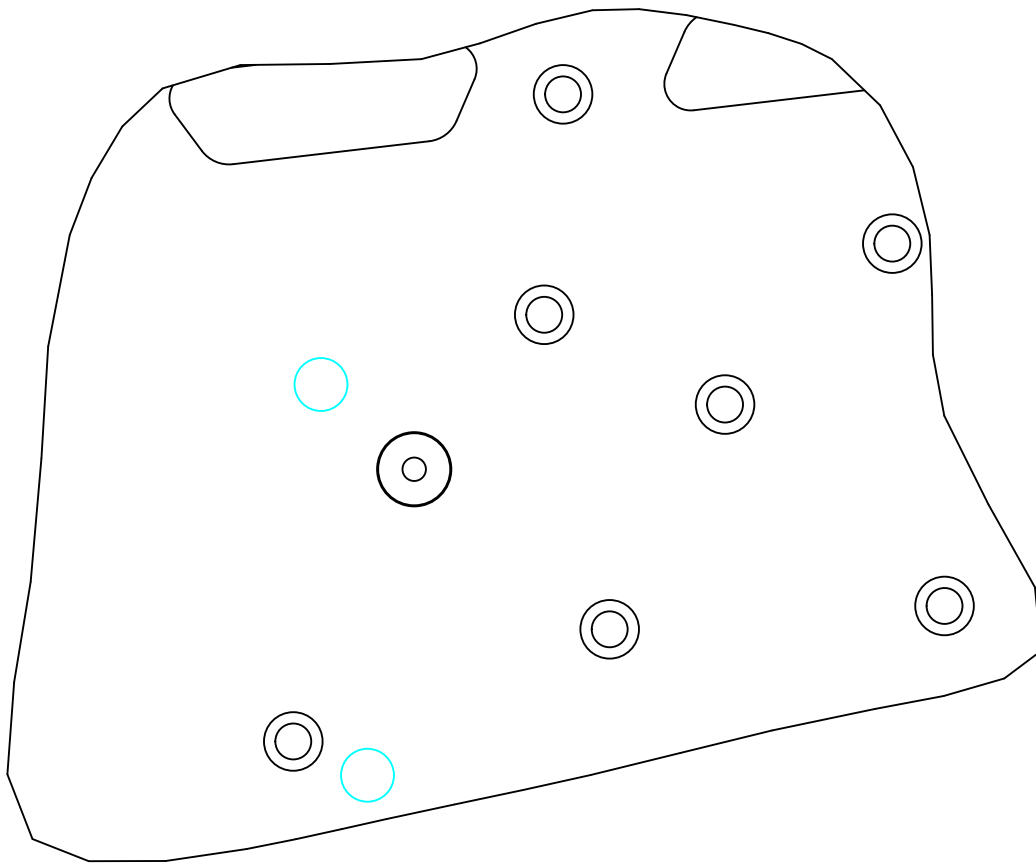


THIS PAGE IS INTENTIONALLY LEFT BLANK

Axys RMK 174 Front Mount Template

NOTE

If printing from electronic file, ensure print settings indicate "Actual Size" (not "Fit").



THIS PAGE IS INTENTIONALLY LEFT BLANK

Axys RMK 174 Rear Mount Template

NOTE

If printing from electronic file, ensure print settings indicate "Actual Size" (not "Fit").

