

TITAN™ FRONT WINCH JUMPER HARNESS



P/N 2883850

APPLICATION

Verify accessory fitment at Polaris.com.

BEFORE YOU BEGIN

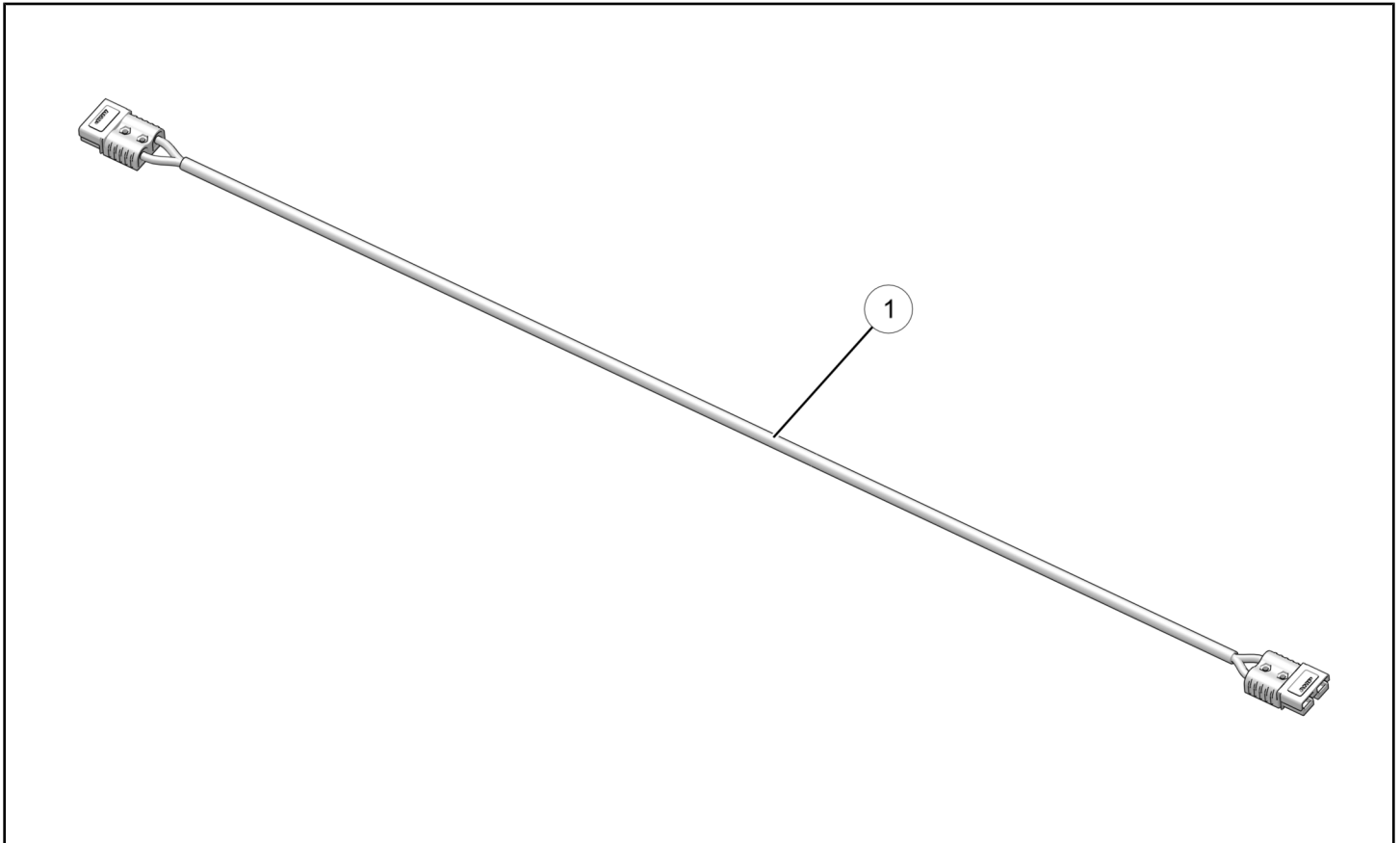
Read these instructions and check to be sure all parts and tools are accounted for. Please retain these installation instructions for future reference and parts ordering information.

KIT CONTENTS

This kit contains the Titan Front Winch Jumper Harness ONLY. Prior installation of the following kits are also required (sold separately):

- Integrated 1500lb Winch, PN 2882798
- HD Front Bumper, PN 2882794

This Kit includes:



REF	QTY	PART DESCRIPTION	PART NUMBER
1	1	Harness - Winch Jumper, Front	2414691
	1	Instructions	9929096

TOOLS REQUIRED

- None

CONSUMABLES REQUIRED

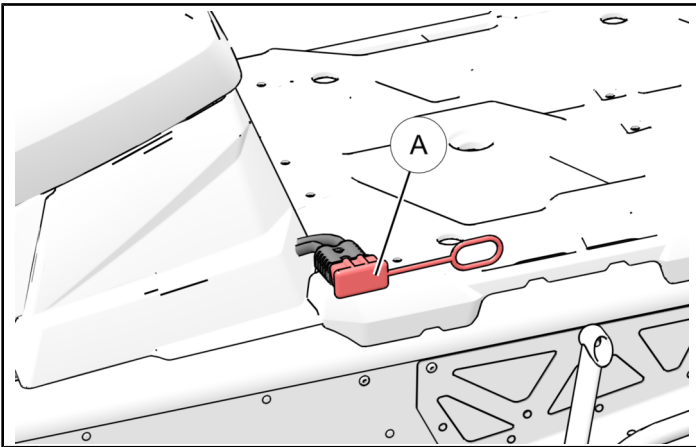
- None

IMPORTANT

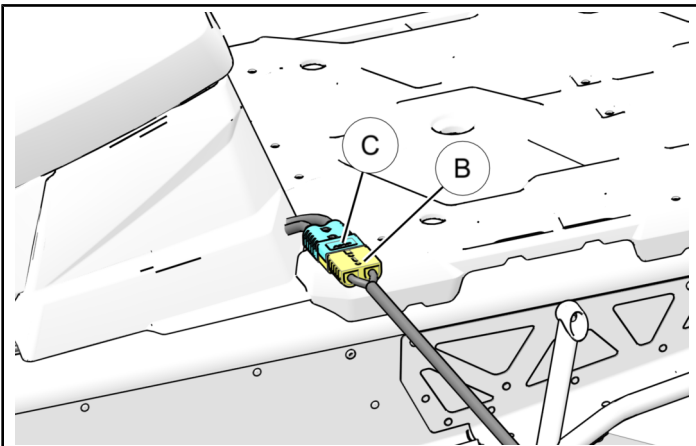
Your Titan™ Front Winch Jumper Harness is exclusively designed for your vehicle. Please read the installation instructions thoroughly before beginning. Installation is easier if the vehicle is clean and free of debris. For your safety, and to ensure a satisfactory installation, perform all installation steps correctly in the sequence shown.

INSTALLATION INSTRUCTIONS

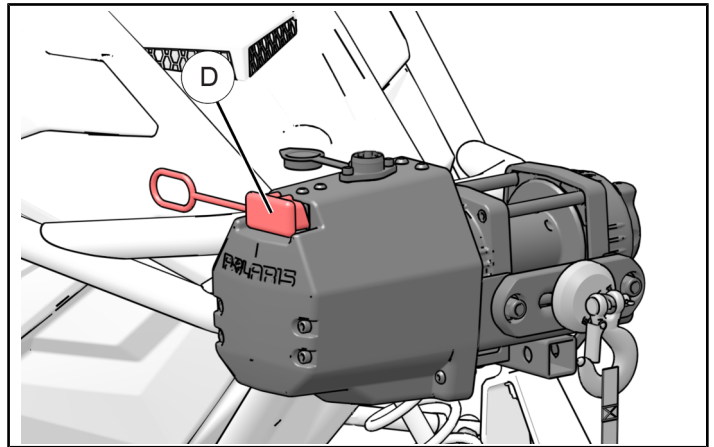
1. Remove protective cap (A) from previously installed winch power harness.



2. Plug the power connector (B) of the front winch jumper harness into the mating power connector (C) on the previously installed winch power harness.



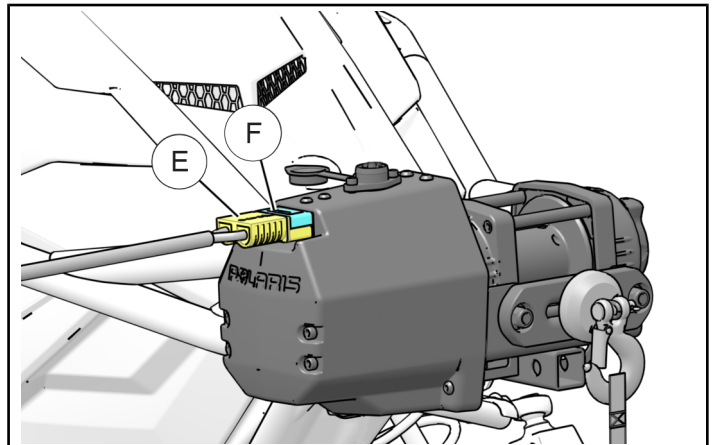
3. Next, remove protective cap (D) from the winch power connection.



4. Route the front jumper harness around the left side of the vehicle and connect the remaining power connector (E) on the jumper harness to the winch power connection (F).

CAUTION

DO NOT route jumper harness cable in any way that may cause interference with the throttle mechanism. Failure to comply may result in personal injury and/or damage to vehicle.



FEEDBACK FORM

A feedback form has been created for the installer to provide any comments, questions or concerns about the installation instructions. The form is viewable on mobile devices by scanning the QR code or by clicking [HERE](#) if viewing on a PC.

