

1.25" RECEIVER CARGO RACK KIT



P/N 2884259

IMPORTANT

Accessory installation by anyone other than the end user requires a complete review of instructions with the end user prior to vehicle operation.

⚠ WARNING

IMPROPER USE OR OVERLOADING CAN CAUSE LOSS OF CONTROL RESULTING IN SERIOUS INJURY OR DEATH.

- Remove cargo rack before ascending or descending steep angles.
- Overloading and carrying tall, off-center, or unsecured loads will increase your risk of losing control. Loads should be secured, centered and carried as low as possible on the rack.
- Never carry passengers on cargo rack.
- Never use cargo rack to push or pull other objects.
- Never use cargo rack as a tie down point to secure vehicle while transporting.

RESTRICTION

Maximum Load Limit: 20 lbs. (9 kg)
Maximum Speed Limit: 15 mph (24 kph)

CAUTION

- **FRONT MOUNT ONLY.** Do not mount on rear of vehicle. Failure to comply may result in damage to vehicle and accessory components.
- Intended for utility use at **LOW SPEEDS ONLY.** Not intended for high speed, or high load use.

BEFORE YOU BEGIN

Read these instructions and check to be sure all parts and tools are accounted for. Please retain these installation instructions for future reference and parts ordering information.

IMPORTANT

Your 1.25" Receiver Cargo Rack Kit is exclusively designed for your vehicle. Please read the installation instructions thoroughly before beginning. Installation is easier if the vehicle is clean and free of debris. For your safety, and to ensure a satisfactory installation, perform all installation steps correctly in the sequence shown.

TOOLS REQUIRED

- Safety Glasses
- Socket Set, Metric
- Wrench Set, Metric
- Socket Set, Torx® Bit
- Torque Wrench

ASSEMBLY TIME

Approximately 24 minutes

NOTE

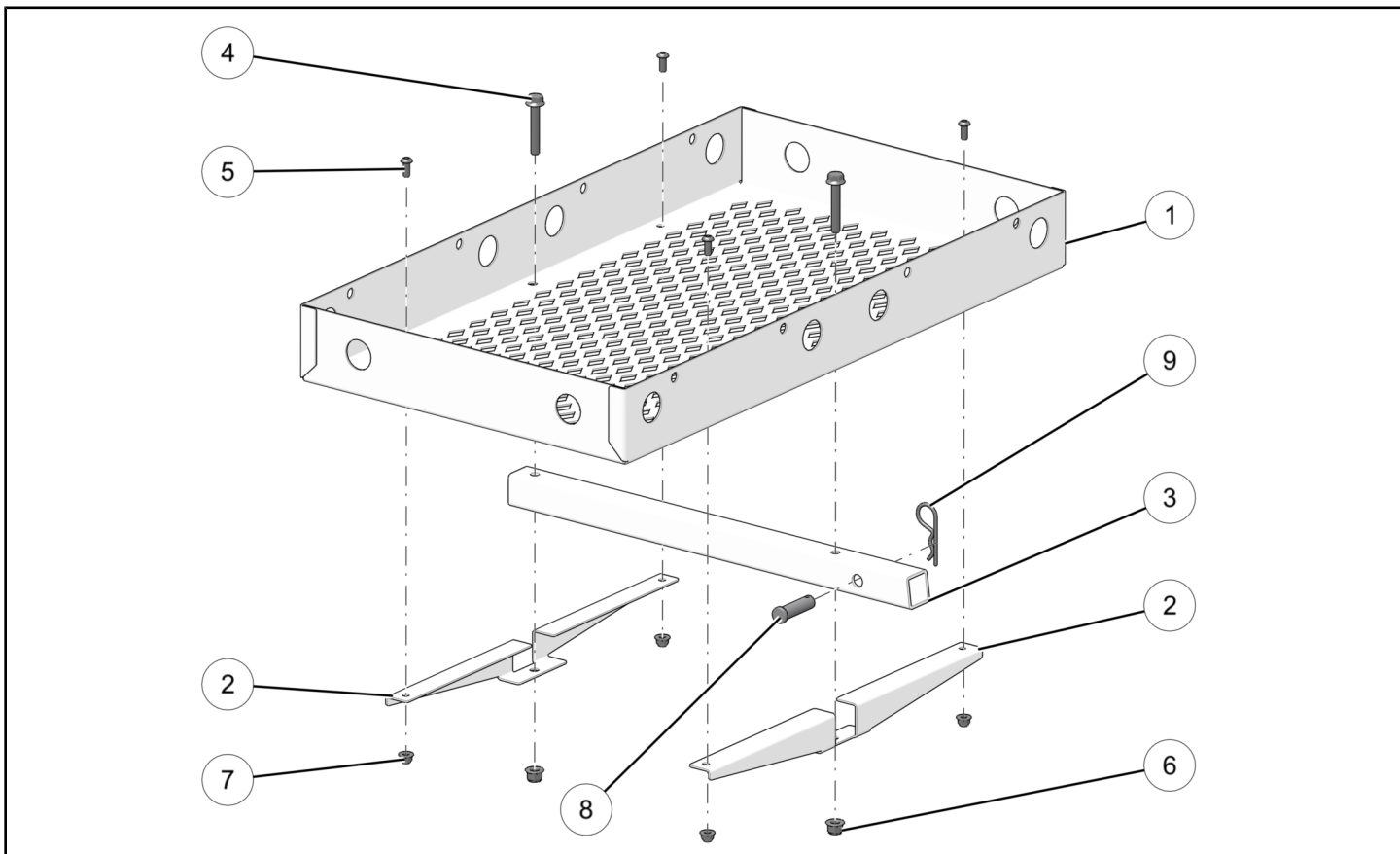
Additional time may be required for optional steps, or to accommodate other installed accessories.

KIT CONTENTS

NOTE

This kit contains parts for installation of the 1.25" Receiver Cargo Rack only. Prior installation of the Titan® HD Front Bumper Kit, PN 2882784, is also required (sold separately).

This Kit includes:

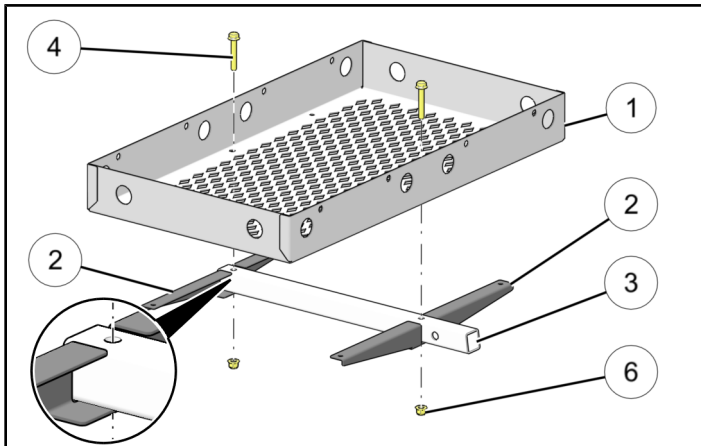


REF	QTY	PART DESCRIPTION	PART NUMBER
1	1	Cargo Basket	5268234
2	2	Support Bracket	5268236
3	1	Receiver Tube	5342025
4	2	Screw, M8 X 1.25 X 50	7520105
5	4	Screw, M6 X 1.0 X 15	7521010
6	2	Nut, M8 X 1.25	7547332
7	4	Nut, M6 X 1.0	7547339
8	1	Clevis Pin	7661878
9	1	Clip, Hitchpin	7661067
	1	Instructions	9929770

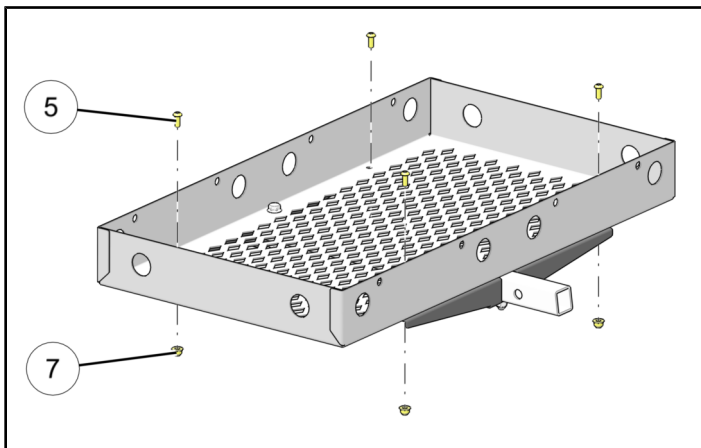
INSTALLATION INSTRUCTIONS

1. ASSEMBLE CARGO RACK.

- a. Place the support brackets ② into position as shown. Loosely assemble the cargo basket ① to the receiver tube ③ and support brackets using the supplied screws ④ and locking nuts ⑥. DO NOT tighten at this time.



- b. Install the remaining four supplied screws ⑤ and locking nuts ⑦ as shown.



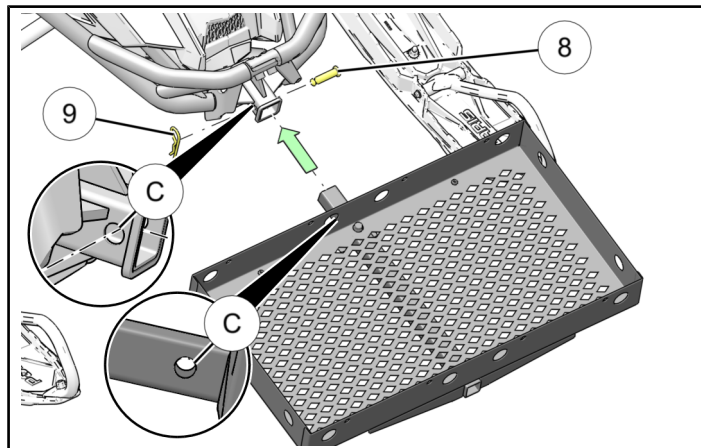
- c. Torque all fasteners to provided specification.

TORQUE

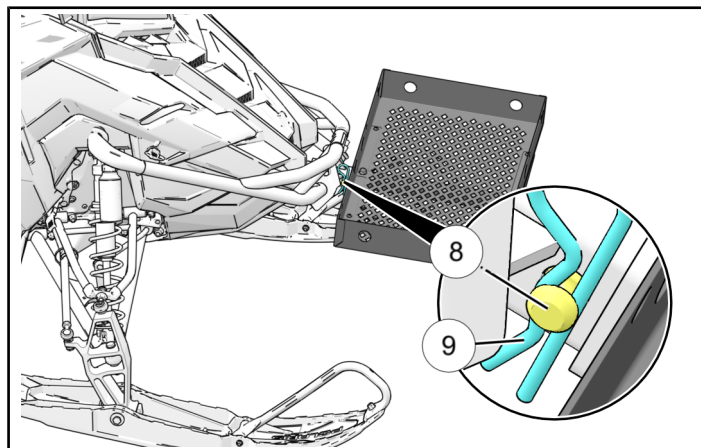
- ⑥ M8 Nut: 17 ft. lbs. (23 Nm)
- ⑦ M6 Nut: 7 ft. lbs. (9.5 Nm)

2. INSTALL CARGO RACK.

- a. Insert receiver tube into bumper receiver hitch in the orientation shown. Align hole C on the receiver hitch with hole C on the receiver tube and secure into position with clevis pin ⑧ and hitchpin clip ⑨.



- b. Ensure hitchpin clip ⑨ is fully seated into the groove on the clevis pin ⑧ as shown.



3. VERIFY WORK.

- a. Ensure all steps have been completed and all tools are accounted for.

FEEDBACK FORM

A feedback form has been created for the installer to provide any comments, questions or concerns about the installation instructions. The form is viewable on mobile devices by scanning the QR code or by clicking [HERE](#) if viewing on a PC.

