

# STRONGHOLD MOUNT KIT



**P/N 2882806**

## APPLICATION

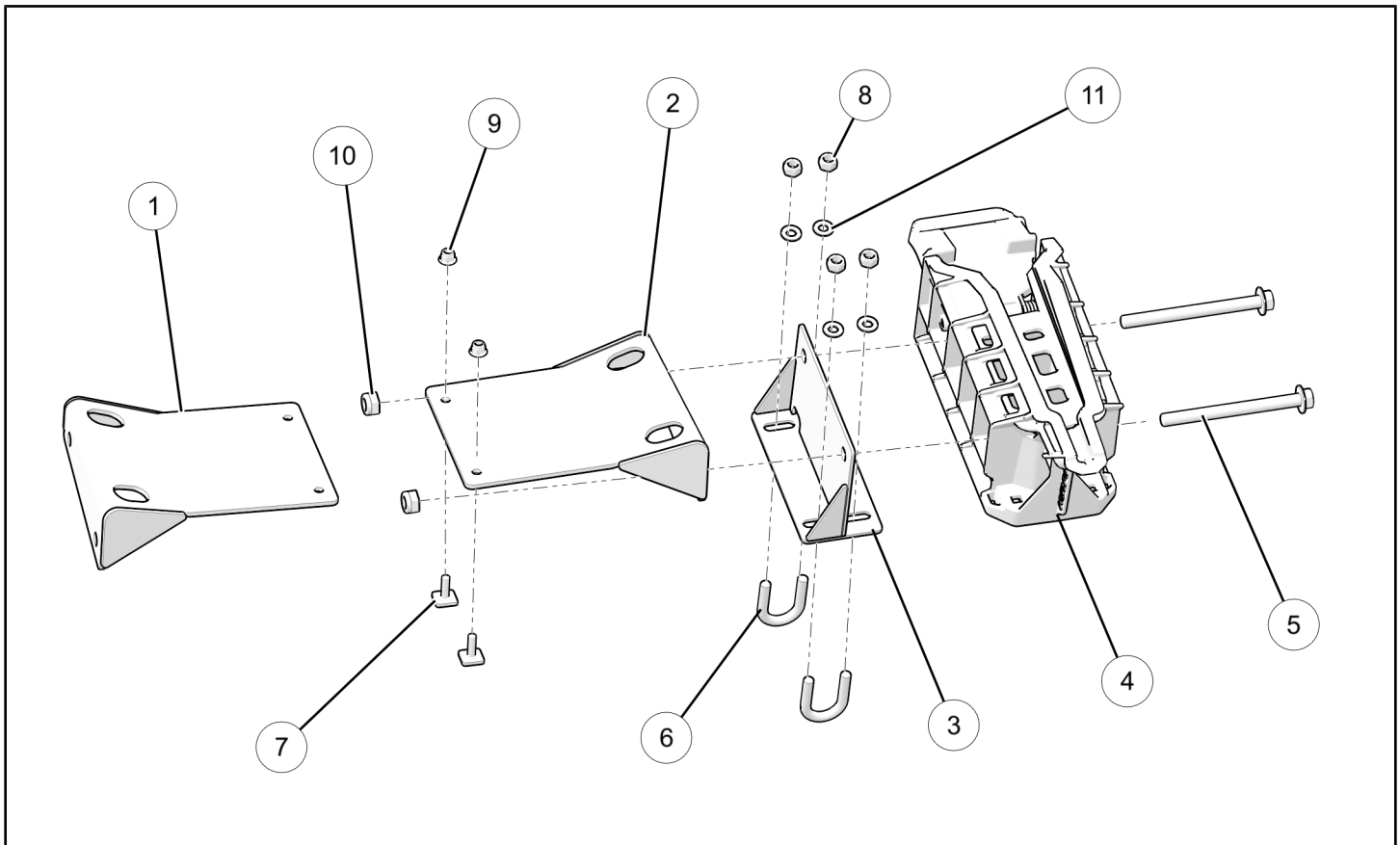
Verify accessory fitment at [Polaris.com](http://Polaris.com)

## BEFORE YOU BEGIN

Read these instructions and check to be sure all parts and tools are accounted for. Please retain these installation instructions for future reference and parts ordering information.

## KIT CONTENTS

This Kit includes:



REF	QTY	PART DESCRIPTION	PART NUMBER
1	1	Support Bracket, LH, Stronghold	1023639
2	1	Support Bracket, RH, Stronghold	1023640
3	1	Mount , Stronghold	1023638
4	1	Autolatch, Stronghold	2636942
5	2	Screw, M10X1.5X115	7518526
6	2	U-Bolt, M8X1.25	7520819
7	2	Screw, M6X1.0X20	7520464
8	4	Nut, M8X1.25	7547405

REF	QTY	PART DESCRIPTION	PART NUMBER
9	2	Nut, M6X1.0	7547453
10	2	Nut, M10X1.5	7547268
11	4	Washer	7556245
	1	Instructions	9927952

## TOOLS REQUIRED

- Safety Glasses
- Socket Set, Metric
- Wrench Set, Metric
- Socket Set, Torx® Bit
- Torque Wrench

## IMPORTANT

Your STRONGHOLD MOUNT KIT is exclusively designed for your vehicle. Please read the installation instructions thoroughly before beginning. Installation is easier if the vehicle is clean and free of debris. For your safety, and to ensure a satisfactory installation, perform all installation steps correctly in the sequence shown.

## ASSEMBLY TIME

Approximately 30 minutes

## INSTALLATION INSTRUCTIONS

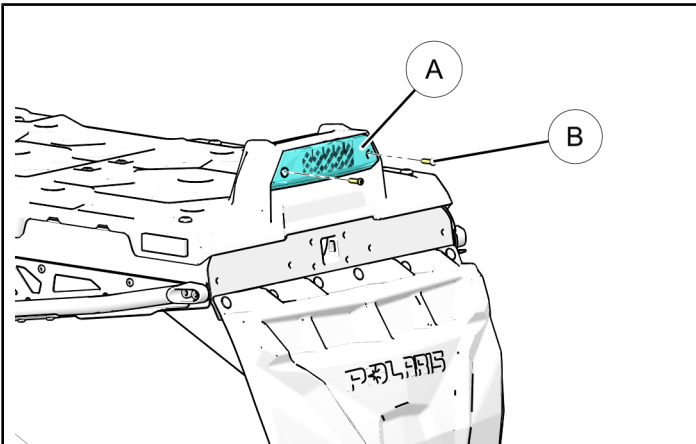
### COMPONENT REMOVAL

1. Determine which side you would like to mount the Stronghold kit on.

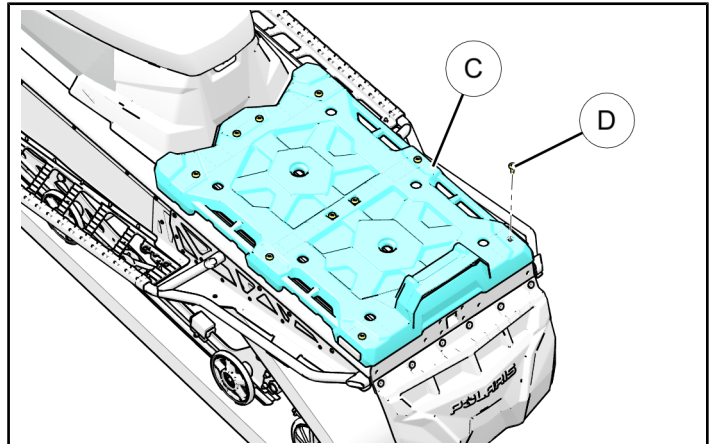
#### NOTE

Installation procedures are the same for either side. For illustration purposes these instructions show the left hand installation procedure.

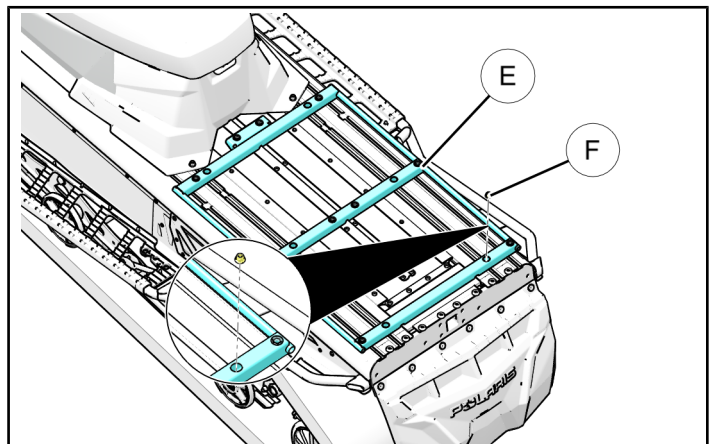
2. Remove tail light (A) by removing two screws (B) and unplugging tail light from harness. Set aside for later use.



3. Remove rear cargo platform (C) by removing ten screws (D).



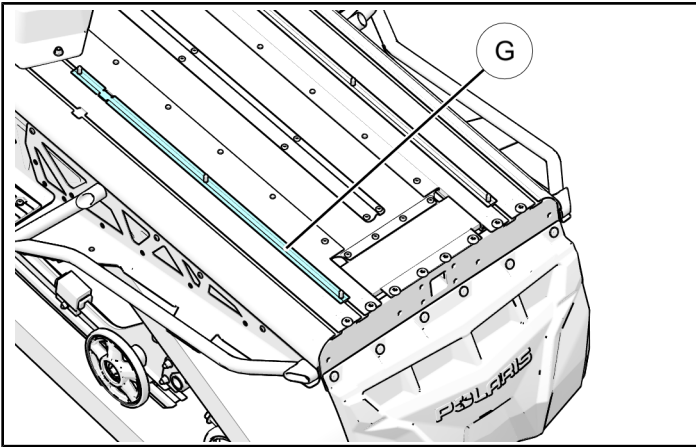
4. Remove rear rack support (E) by removing six nuts (F).



- Your vehicle is equipped with an aluminum template **Ⓒ** that has pre-drilled holes in it that will need to be removed.

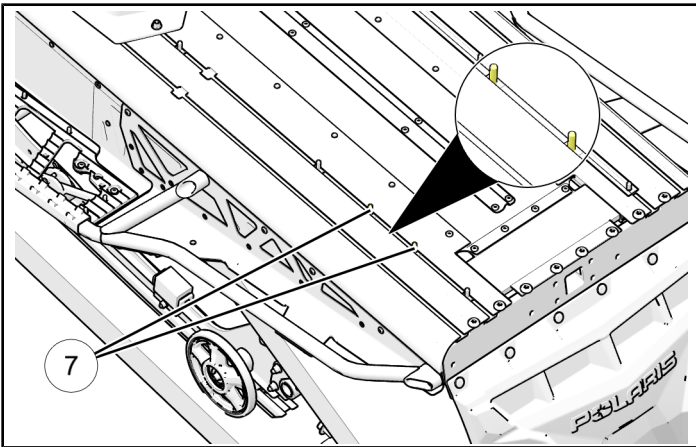
### NOTE

The template holes are used to locate the bolts for the rear rack support and the Stronghold mount.

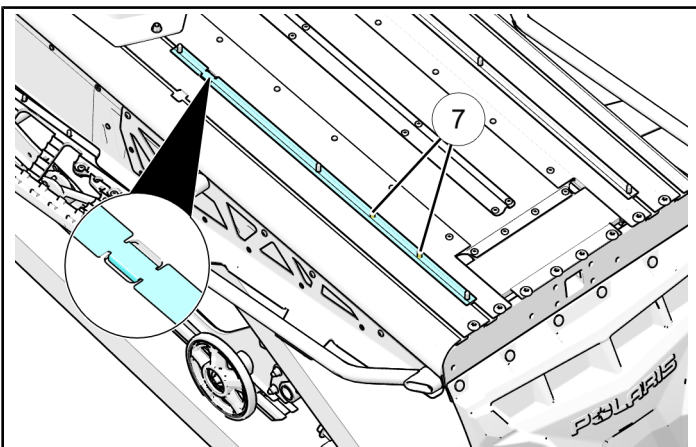


### INSTALLATION

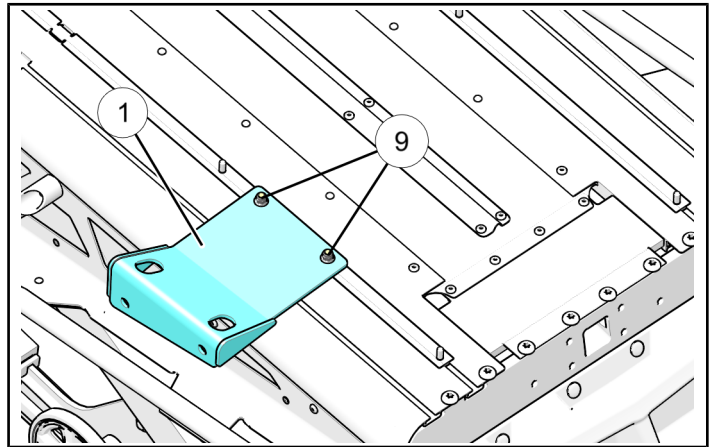
- Place provided bolts **Ⓙ** into T-slot and slide them into the approximate location as shown.



- Reinstall template making sure tabs are into the opening in the T-slot and newly place bolts are aligned with the holes in the template.



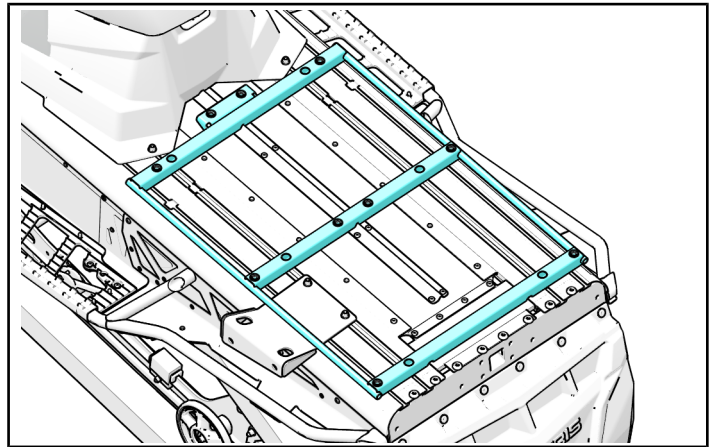
- Install the proper support bracket **Ⓛ/Ⓜ** that corresponds with your chosen side of installation onto the two new bolts installed in the previous step. Loosely fasten nuts **Ⓢ** so that the support bracket is held in place but do not tighten.



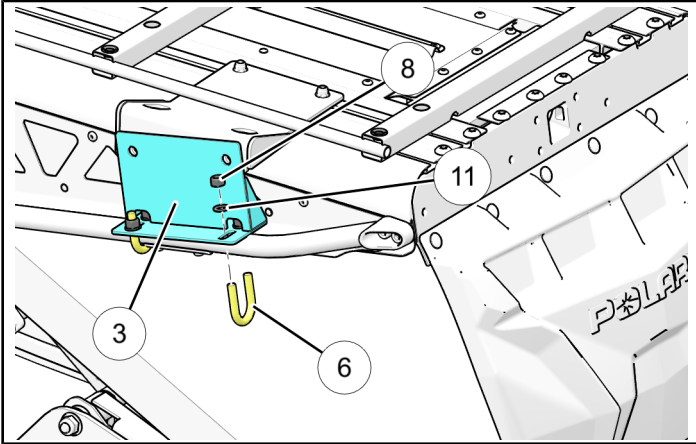
- Reinstall the rack support removed in step 4 of the component removal section and torque all six mounting nuts to specification provided.

### TORQUE

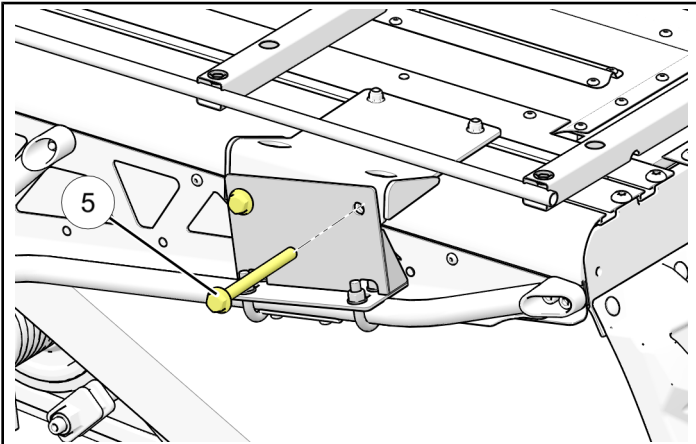
8.5ft. lbs. (12 Nm)



5. Install the mounting bracket as shown using the supplied U-bolts ⑥, nuts ⑧ and washers ⑪. Do not tighten nuts in this step..



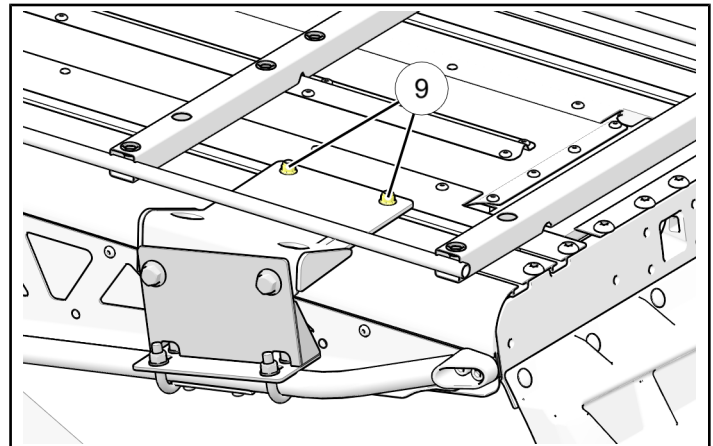
6. Insert upper bolts ⑤ shown below into mounting bracket to help keep holes aligned while tightening all fasteners.



7. Torque the two T-slot nuts ⑨ previously installed in step 3 of the installation section to the provided specification.

## TORQUE

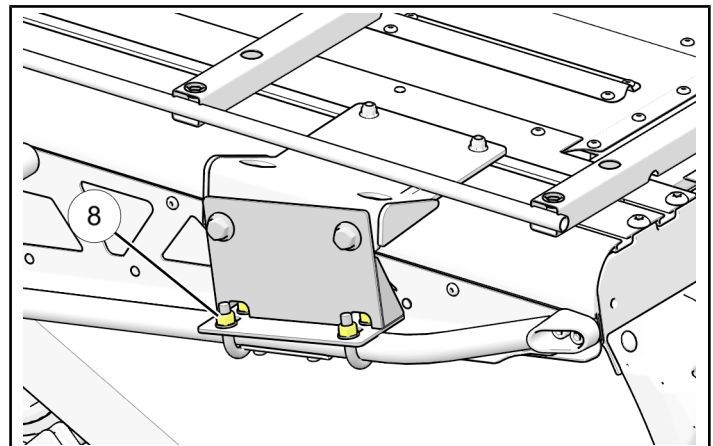
8.5ft. lbs. (12 Nm)



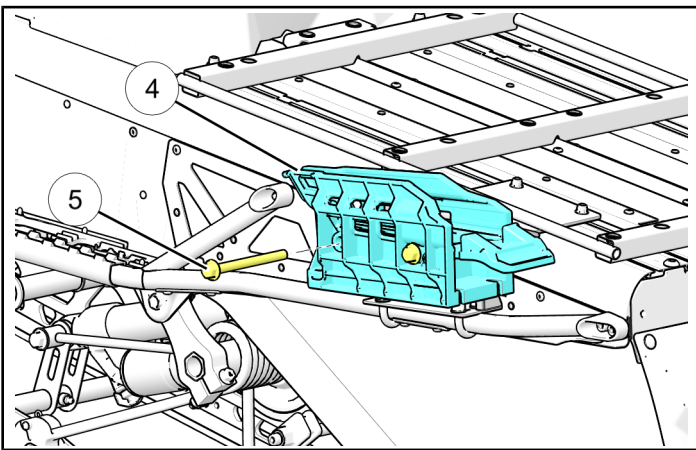
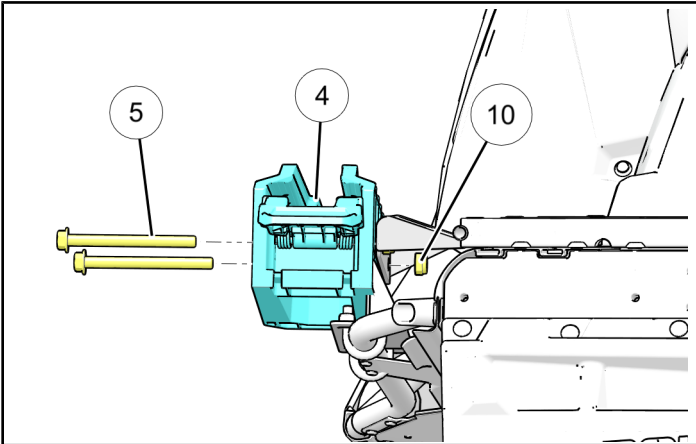
8. Tighten the four U-bolt nuts ⑧.

## NOTE

You may have to remove the two longer bolts used for alignment to gain access to the inside U-bolt nuts.



9. Remove the alignment bolts, if not already done, and install the Stronghold Autolatch ④ as shown and fasten into place using supplied bolts ⑤ and nuts ⑩.



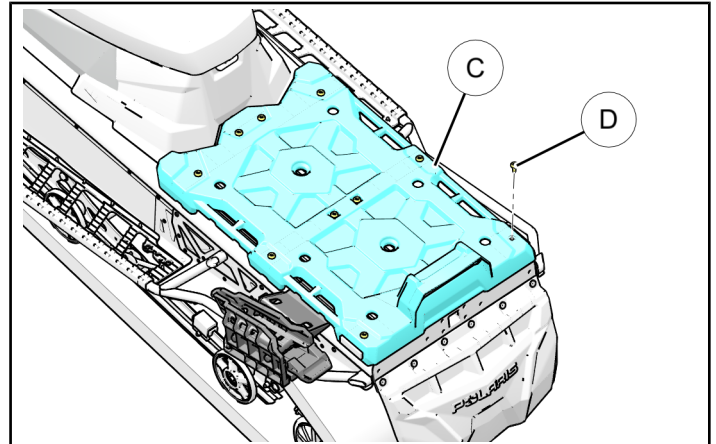
10. Reinstall the rear cargo platform ③ to the rear rack support using the ten existing fasteners ① previously removed and torque to provided specification.

#### NOTE

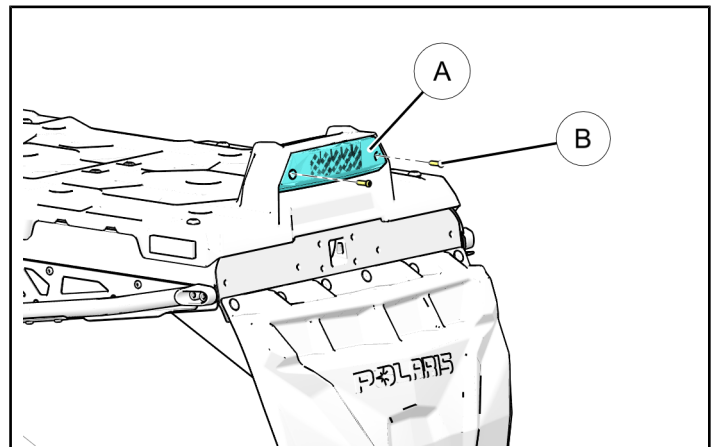
Make sure your tail light harness plug is accessible to install tail light in next step.

#### TORQUE

8.5ft. lbs. (12 Nm)



11. Plug in tail light connector and install tail light ① using original fasteners ② being careful not to overtighten.



12. Check to ensure all tools are accounted for and all steps have been completed.

## FEEDBACK FORM

A feedback form has been created for the installer to provide any comments, questions or concerns about the installation instructions. The form is viewable on mobile devices by scanning the QR code or by clicking [HERE](#) if viewing on a PC.

