

TITAN™ 1.25" RECEIVER KIT



P/N 2882795

APPLICATION

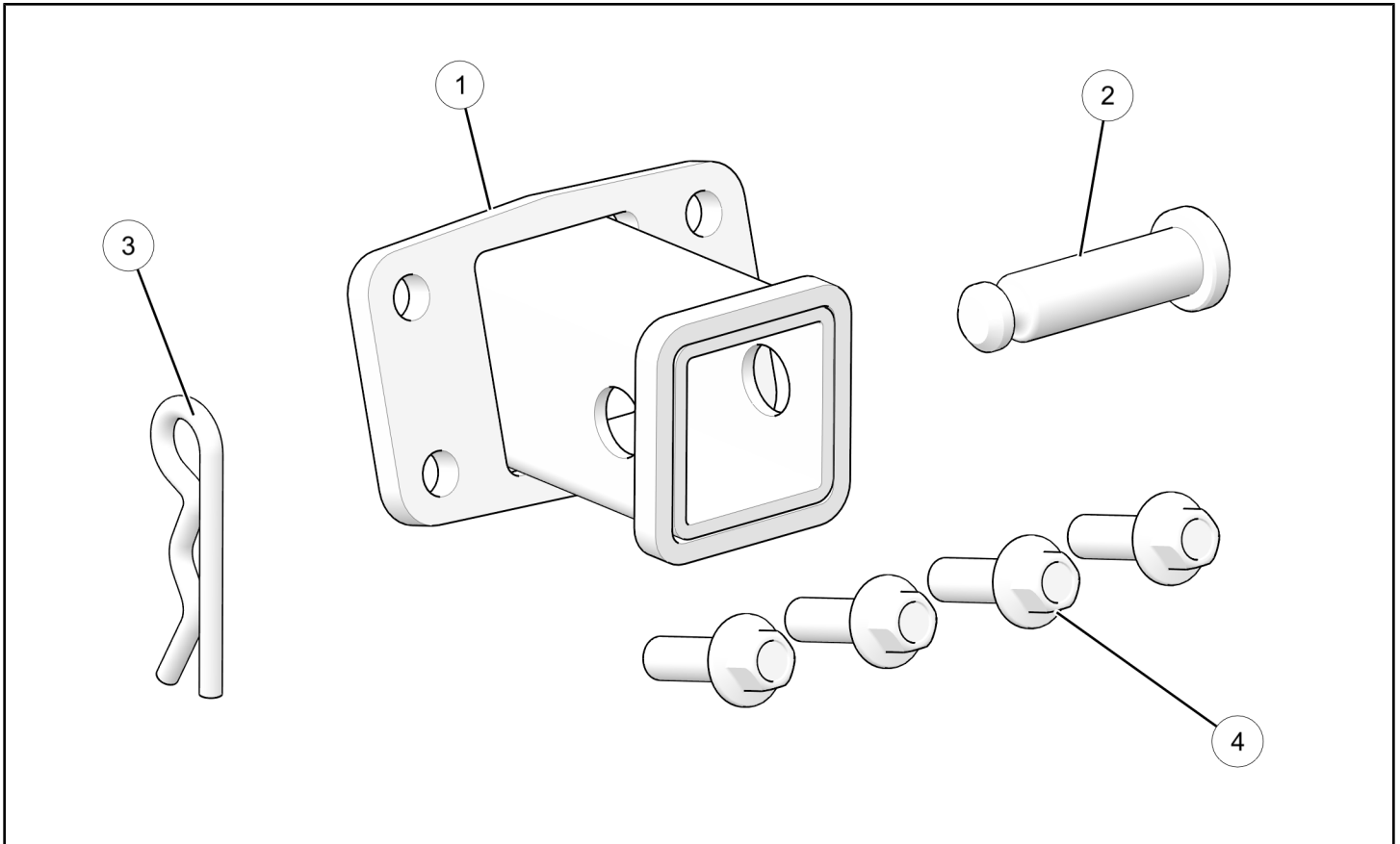
Verify accessory fitment at Polaris.com.

BEFORE YOU BEGIN

Read these instructions and check to be sure all parts and tools are accounted for. Please retain these installation instructions for future reference and parts ordering information.

KIT CONTENTS

This Kit includes:



REF	QTY	PART DESCRIPTION	PART NUMBER
1	1	Hitch Receiver	1023486-458
2	1	Hitch Pin	7662346
3	1	Cotter Pin	7662347
4	4	Screw - M8 X 1.25 X 25	7520877
	1	Instructions	9927949

TOOLS REQUIRED

- Safety Glasses
- Socket Set, Metric

IMPORTANT

Your Titan™ 1.25" Receiver Kit is exclusively designed for your vehicle. Please read the installation instructions thoroughly before beginning. Installation is easier if the vehicle is clean and free of debris. For your safety, and to ensure a satisfactory installation, perform all installation steps correctly in the sequence shown.

ASSEMBLY TIME

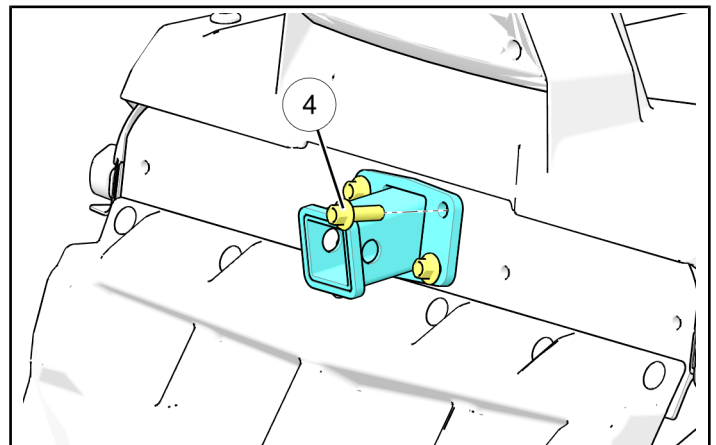
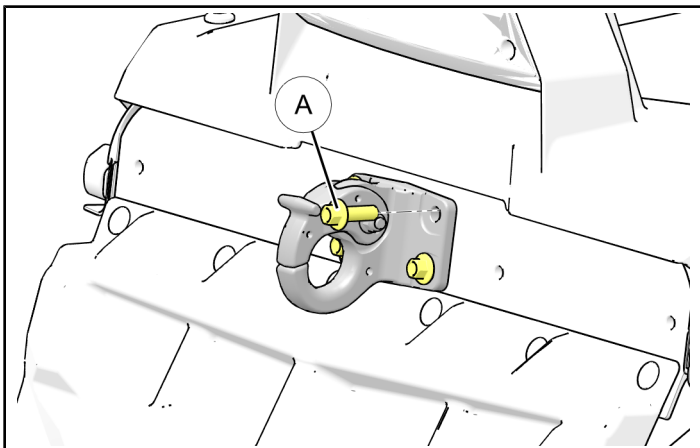
Approximately 6 minutes

NOTE

Additional time may be required for optional steps, or to accommodate other installed accessories.

INSTALLATION INSTRUCTIONS

1. Remove the four bolts (A) that hold the stock hitch onto the rear of the snowmobile. Remove the stock hitch as it will not be needed while the Titan 1.25" Receiver Kit is installed. Discard bolts as you will use the new bolts supplied with your kit when installing the Titan 1.25" Receiver Kit.
2. Install the Titan 1.25" Receiver onto the rear of the snowmobile as shown using the supplied four new bolts (4). Torque to specification.



TORQUE

20 ft/lbs (27 Nm)

3. Ensure all steps have been completed and all tools are accounted for.

FEEDBACK FORM

A feedback form has been created for the installer to provide any comments, questions or concerns about the installation instructions. The form is viewable on mobile devices by scanning the QR code or by clicking [HERE](#) if viewing on a PC.

FEEDBACK FORM

