

1+1 RACK BAG



P/N 2883714

APPLICATION

Verify accessory fitment at Polaris.com.

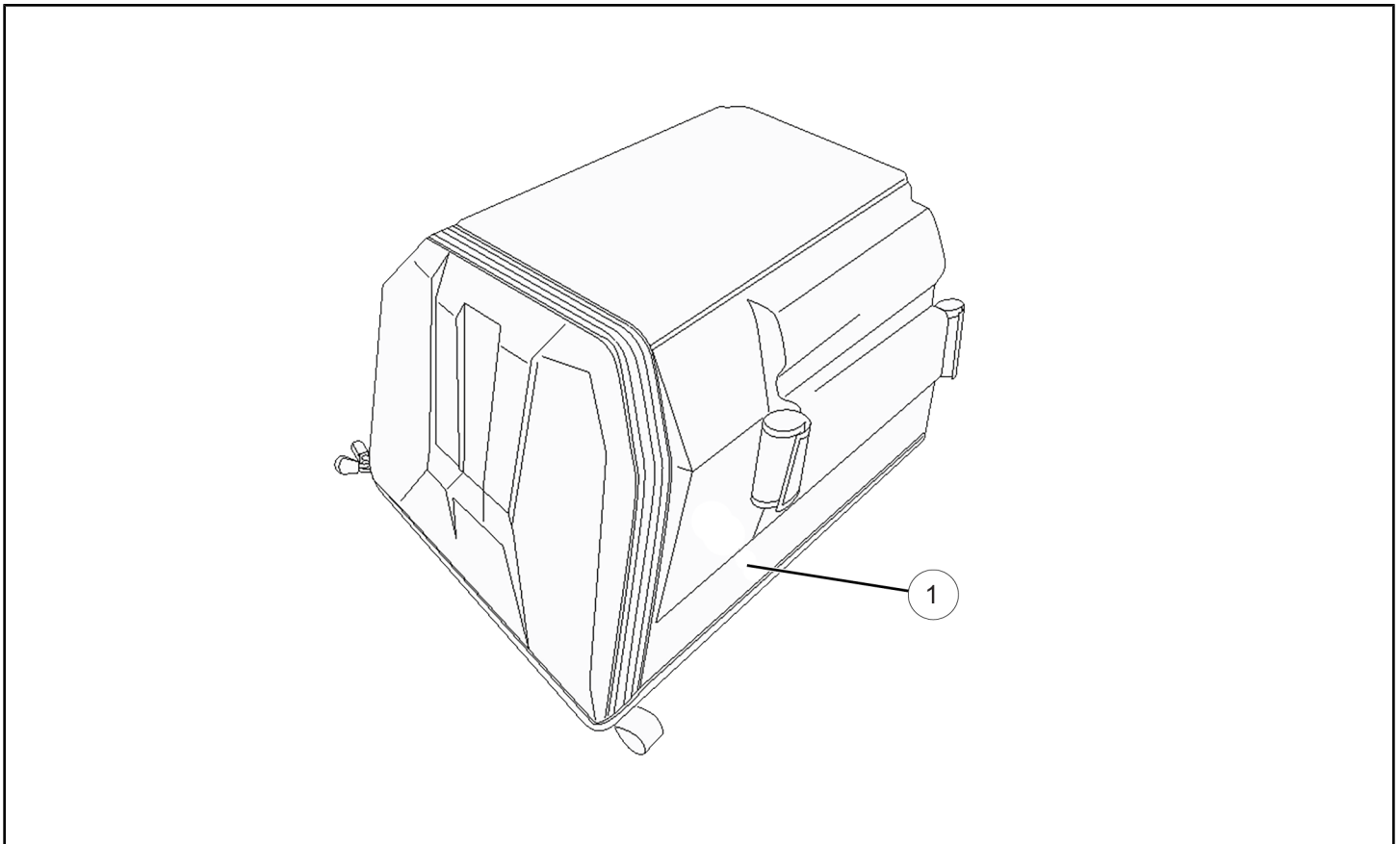
BEFORE YOU BEGIN

Read these instructions and check to be sure all parts and tools are accounted for. Please retain these installation instructions for future reference and parts ordering information.

KIT CONTENTS

This kit contains parts for installation of the Trail Performance Rack Bag only. Prior installation of the 1+1 Rear Rack Kit, PN 2883838, is also required (sold separately).

This Kit includes:



REF	QTY	PART DESCRIPTION	PART NUMBER
1	1	1+1 Rack Bag	2688883
	1	Instructions	9928853

TOOLS REQUIRED

None

IMPORTANT

Your 1+1 Rack Bag is exclusively designed for your vehicle. Please read the installation instructions thoroughly before beginning. Installation is easier if the vehicle is clean and free of debris. For your safety, and to ensure a satisfactory installation, perform all installation steps correctly in the sequence shown.

ASSEMBLY TIME

Approximately 6 minutes

NOTE

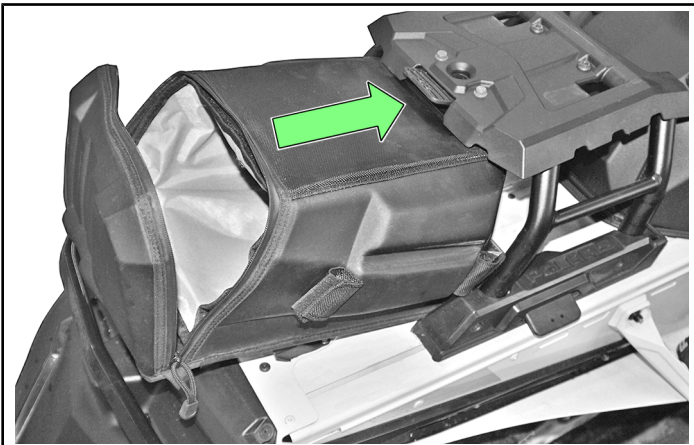
Additional time may be required for optional steps, or to accommodate other installed accessories.

INSTALLATION INSTRUCTIONS

CAUTION

BEFORE STARTING INSTALLATION, always ensure vehicle is on a flat stable surface and is properly secured to avoid accidental tipping or other movement in order to prevent personal injury and/or damage to equipment. If applicable, turn key to "OFF" position and remove from vehicle.

1. Open rear zipper and insert bag from the rear into the open space underneath the rear rack as shown.



2. Once the bag is in position secure in place using the two indicated hook and loop fastener panels on each side of the bag. The hook and loop fastener panels should be wrapped tightly around each rear rack frame tube as shown.



3. Ensure rear access zipper is closed and bag has been fully secured.

FEEDBACK FORM

A feedback form has been created for the installer to provide any comments, questions or concerns about the installation instructions. The form is viewable on mobile devices by scanning the QR code or by clicking [HERE](#) if viewing on a PC.

FEEDBACK FORM

