

# CONVERTIBLE PASSENGER SEAT BACKREST KIT



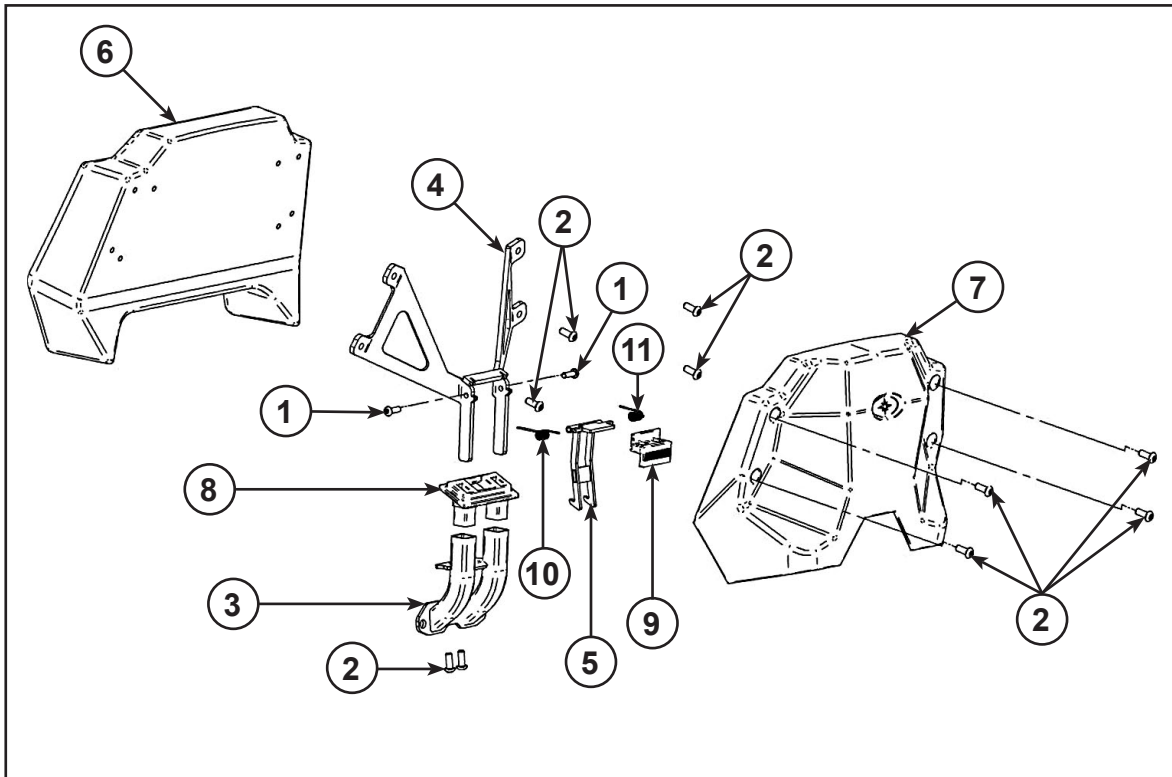
**POLARIS®**

**P/N 2879841**

**Application**

**ALL SWITCHBACK AND ADVENTURE MODELS EQUIPPED WITH CONVERTIBLE PASSENGER SEAT P/N 2879839**

Before you begin, read these instructions and check to be sure all parts and tools are accounted for. Please retain these installation instructions for future reference and parts ordering information.



**Kit Contents:**

<u>Ref</u>	<u>Qty</u>	<u>Part Description</u>	<u>Part Number</u>
1	2	M5 x 16 mm Button Head Socket Cap Screw	-
2	10	M6 x 15 mm button Head Torx Cap Screw	-
3	1	Lower Frame	-
4	1	Upper Frame	-
5	1	Hook System	-
6	1	Foam Backrest	-
7	1	Back Plastic Cover	-
8	1	Guide Slots	-
9	1	Plastic Handle	-
10	1	Left Spring	-
11	1	Right Spring	-
	1	Instructions	9924855

**Tools Required:**

Torx Screwdriver T30

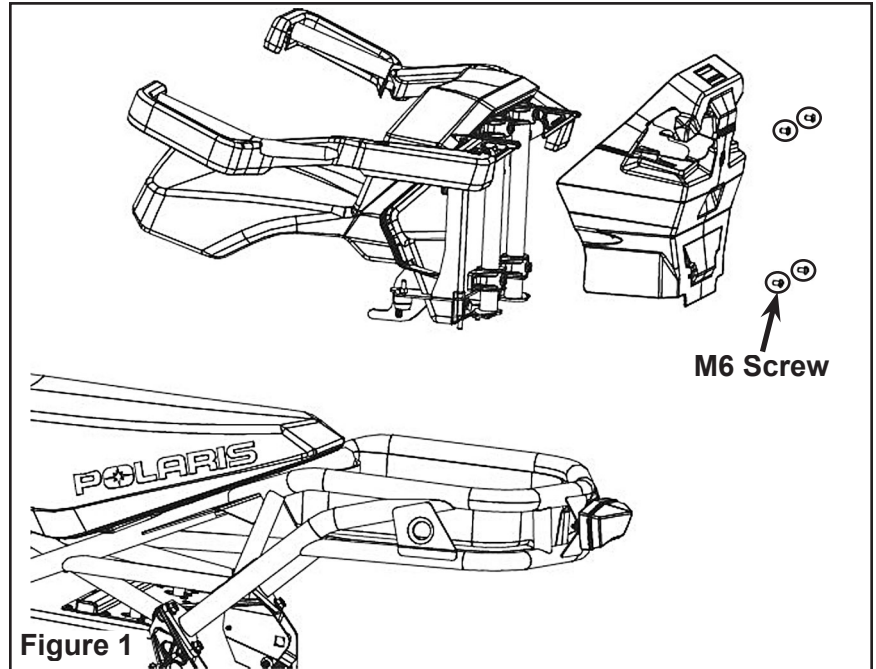
10 mm Standard Wrench or Socket

Sharp Blade

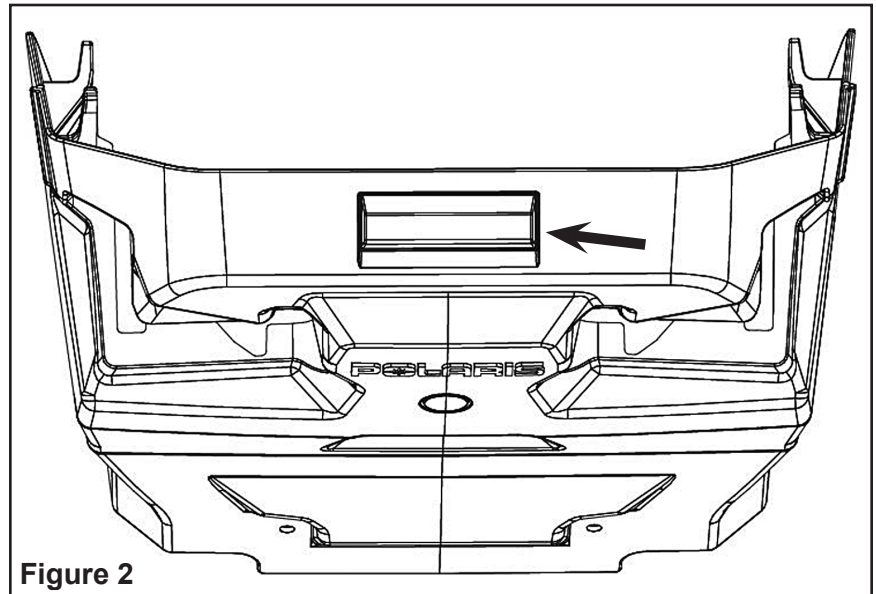
**IMPORTANT:** Your Polaris accessory is exclusively designed for your vehicle. Before beginning, please read these instructions and make sure that all parts and tools are at your disposal. Keep these instructions for future reference or for any information requests. To facilitate installation, make sure that your vehicle is clean and free of debris.

**INSTALLATION INSTRUCTIONS:**

1. Remove the seat from the sled rack, and then remove the four M6 screws and the plastic cover. Figure 1.



2. Use a blade to cut the rectangle on the top of the plastic cover. Figure 2.



3. Remove the two M6 nuts as shown in Figure 3.  
Install the lower frame using the two M6 screws and the two M6 nuts removed previously. Figure 3a.

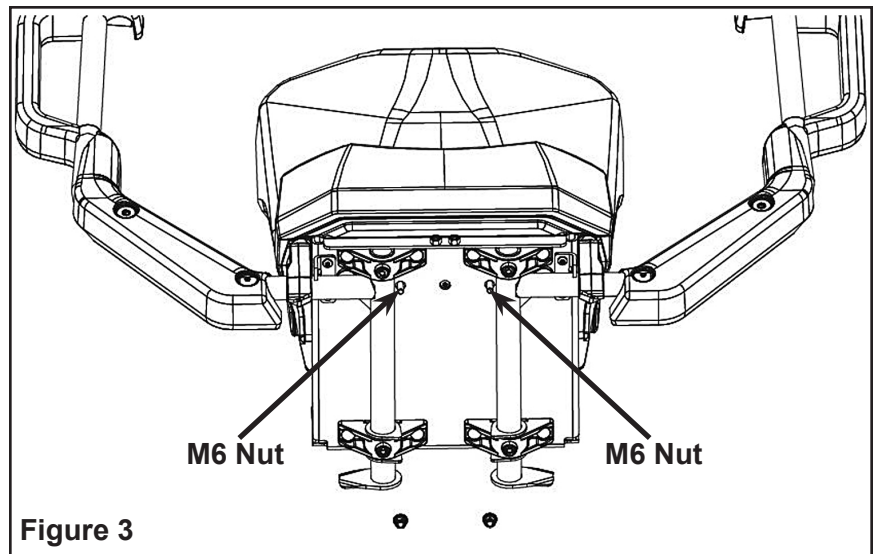


Figure 3

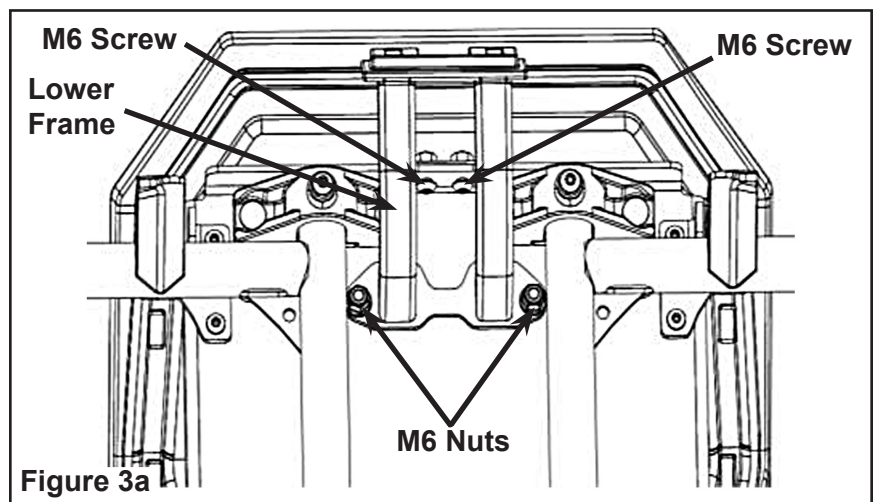


Figure 3a

4. Reverse Step 1 to install the plastic cover using the four M6 screws and then reinstall the convertible passenger seat on the sled's rack. Make sure the plastic guide slots is well positioned in the rectangle hole. Figure 4.
5. To install the backrest, insert the legs in the guide slots and push down until you hear a click sound. To remove the backrest, push down the backrest top, and then pull up the handle.

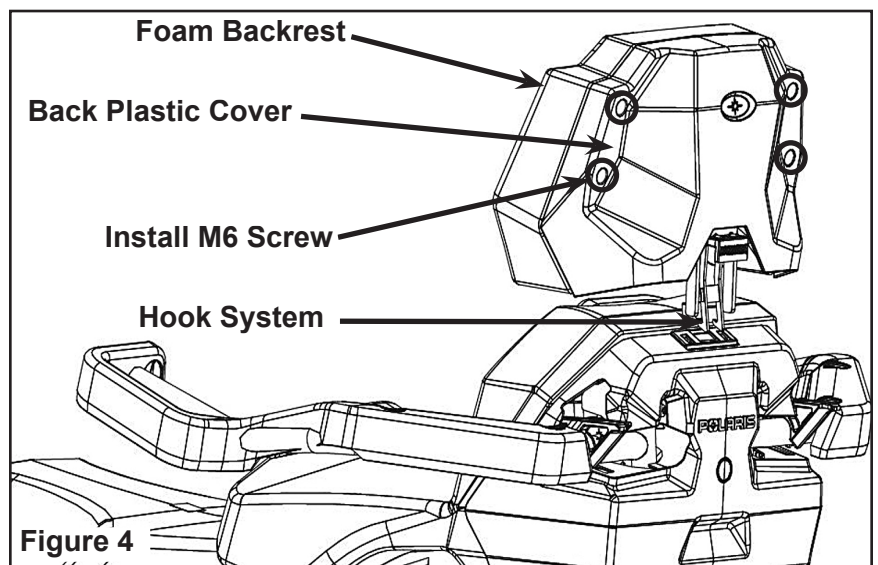


Figure 4