

GLACIER® HD PLOW FRAME KIT



P/N 2882927

APPLICATION

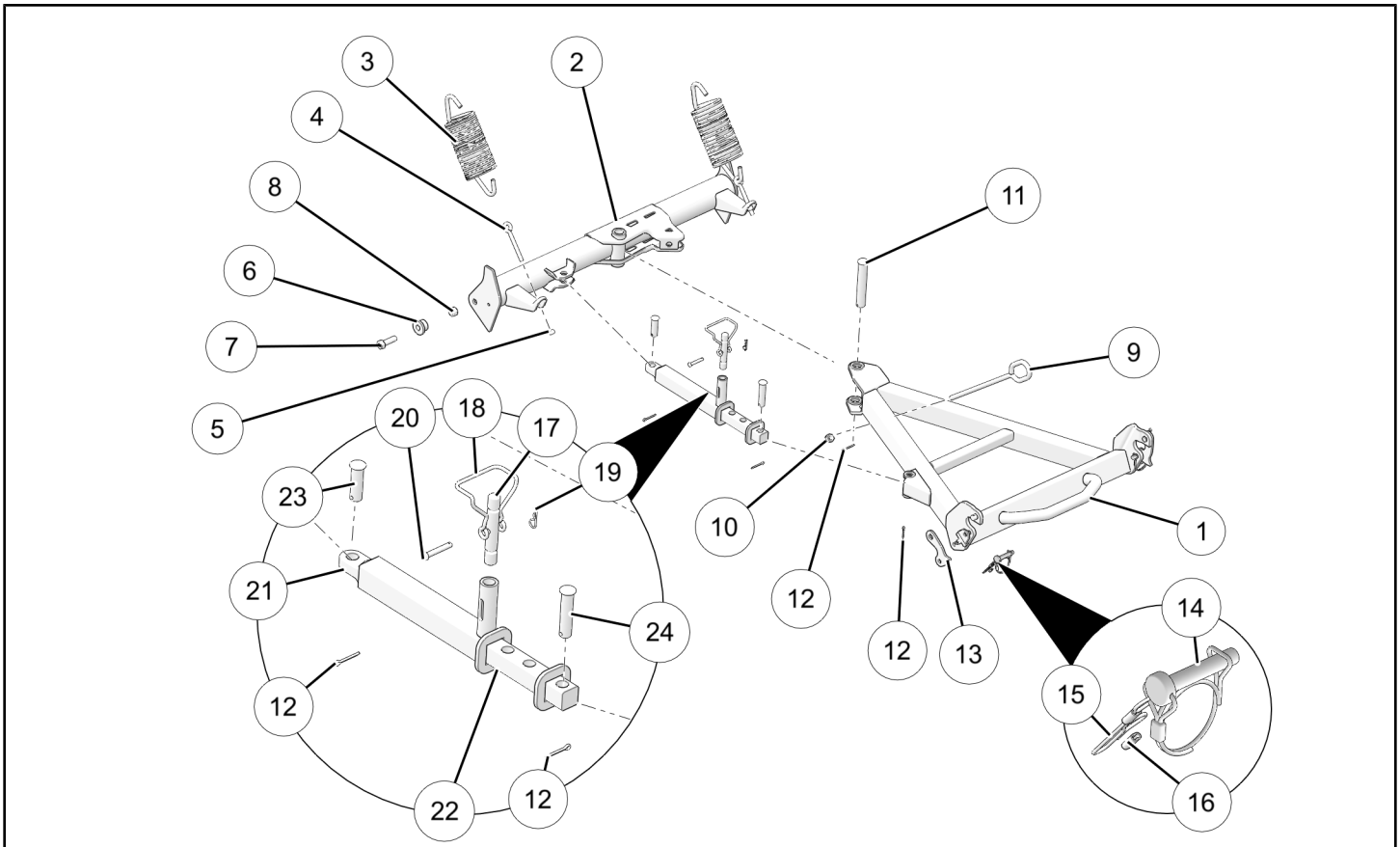
Verify accessory fitment at Polaris.com.

BEFORE YOU BEGIN

Read these instructions and check to be sure all parts and tools are accounted for. Please retain these installation instructions for future reference and parts ordering information.

KIT CONTENTS

This Kit includes:



REF	QTY	PART DESCRIPTION	PART NUMBER	INCLUDED IN SERVICE KIT
1	1	Weld - Frame	-	-
2	1	Weld - Blade Support	-	-
3	2	Trip Spring	-	2205382
4	2	Eyebolt - M8 X 1.25	-	2207190
5	2	Nut, Locking - M8 X 1.25	-	2207190
6	2	Pivot Sleeve	-	2207190
7	2	Bolt, Pivot sleeve - M12 X 1.75 X 40	-	2207190

REF	QTY	PART DESCRIPTION	PART NUMBER	INCLUDED IN SERVICE KIT
8	2	Nut, Locking - M12 X 1.75	-	2207190
9	1	Winch Link	-	2207385
10	1	Nut, Locking - M10 X 1.5	-	2207385
11	1	Clevis Pin, 20MM DIA. X 115MM	-	2207190
12	4	Cotter Pin	-	2207190 2207384 2207385
13	2	Lock Plate	-	2207385
14	2	Lock Pin	-	2207385
15	2	Lanyard	-	2207385
16	2	Lanyard Choke	-	2207385
17	1	Shear Pin	-	2205527
18	11	Handle, Shear Pin	-	2207384
19	1	Retaining Clip, Clevis Pin	-	2207384
20	1	Clevis Pin	-	2207384
21	1	Outer Tube, Angling	-	2207384
22	1	Slide Bar	-	2207384
23	1	Clevis Pin, 14MM DIA. X 45MM	-	2207384 2207190
24	1	Clevis Pin, 14MM DIA. X 60MM	-	2207384 2207190
	1	Instructions	9928470	-

TOOLS REQUIRED

- Safety Glasses
- Pliers, Needle Nose
- Wrench Set, Metric
- Socket Set, Metric

IMPORTANT

Your Glacier® HD Plow Frame Kit is exclusively designed for your vehicle. Please read the installation instructions thoroughly before beginning. Installation is easier if the vehicle is clean and free of debris. For your safety, and to ensure a satisfactory installation, perform all installation steps correctly in the sequence shown.

ASSEMBLY TIME

Approximately 45 minutes

INSTALLATION INSTRUCTIONS

IMPORTANT

Read and understand the following operating instructions to avoid severe personal injury or death. Compliance with these measures will also ensure that your snow plow will give you many years of good use.

1. Re-torque all bolts and nuts after the first 30 minutes of use.
2. Do not exceed 5 mp/h (8 km/h) with blade installed.
3. Operate with extreme caution on slopes, grades and rough terrain.
4. Keep bystanders away from blade and ATV while in motion.

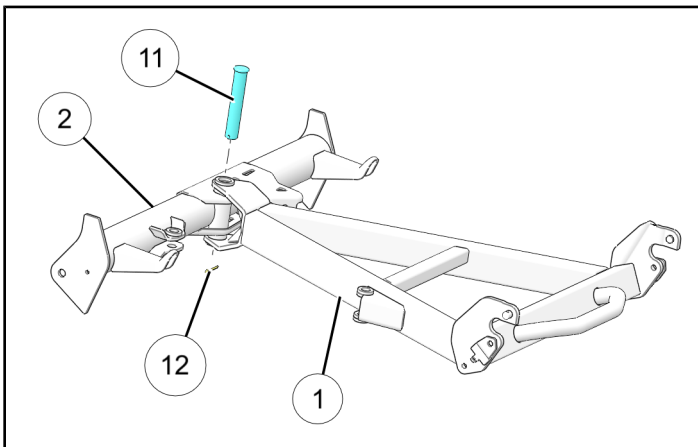
5. Do not allow riders on the blade or ATV when plowing.
6. When plowing snow or dirt into a pile, start backing up before raising the blade.
7. Do not ram the blade into a snow pile. Slow down before hitting a pile.
8. Beware of possible hidden objects under snow.
9. Read blade Owner's Manual, ATV Operator's Manual, and Safety Decals prior to operation.
10. Always wear appropriate protective clothing as recommended in your ATV Operator's Manual.
11. Before adjusting blade angle: stop ATV engine, set and lock brakes, raise blade with the winch. Do not attempt to raise the blade by hand.
12. Lower the blade to the down position when blade and ATV are not in use.
13. Polaris recommends removing the blade and plow frame before trail riding.

IMPORTANT

The use of a Pro HD 4500 lb. winch or a Polaris winch with the combination of Pro HD auto-stop and synthetic winch rope are recommended for use with this plow system to prevent premature failure of the winch cable. The winch should be installed on the unit prior to installing this kit.

PIVOT ASSEMBLY

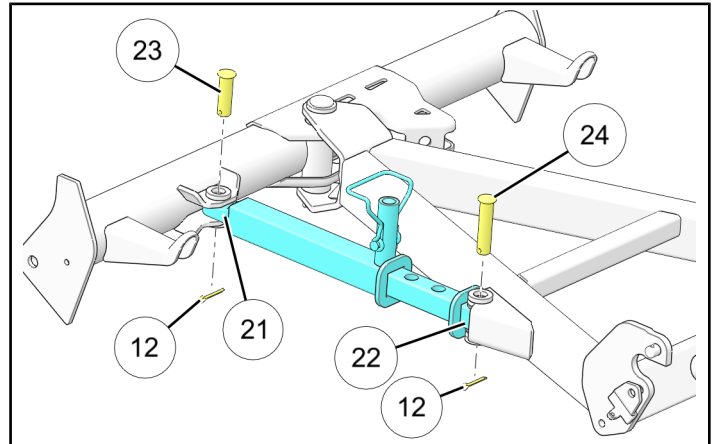
1. Position the main frame ① to the center of the plow pivot ②.



2. Insert clevis pin ⑪ of the plow pivot from top down through the center pivot and secure by placing cotter pin ⑫ thru the hole at the bottom of the pin.

MANUAL ANGLE MECHANISM ASSEMBLY

1. Position the rear pivot ⑳ of the manual angle mechanism in the main plow frame bracket as indicated.



2. Align the holes and install the 14mm x 60mm clevis pin ㉔. Once in place, insert the cotter pin ⑫ and fold both ends so that it cannot be removed.
3. Position the front pivot ㉑ of the manual angle mechanism in the plow pivot bracket as indicated in the figure.
4. Align the holes and install the 14mm x 45mm clevis pin ㉓. Insert the cotter pin ⑫ and fold both ends so that it cannot be removed to secure the parts in place.

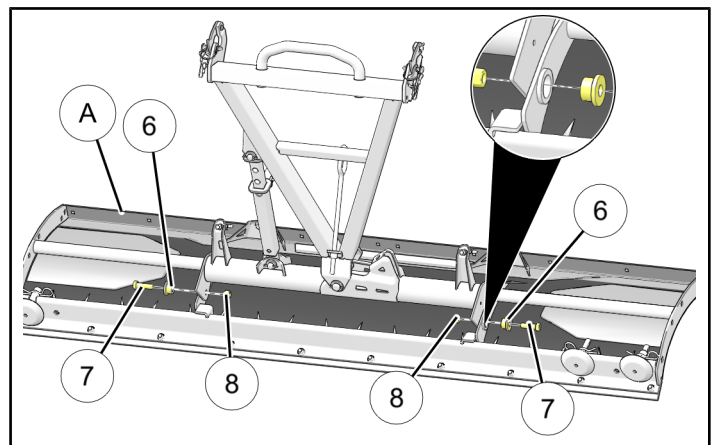
PLOW ASSEMBLY INSTRUCTIONS

1. Place the plow ㉞ on the ground with the rear of the blade facing up.

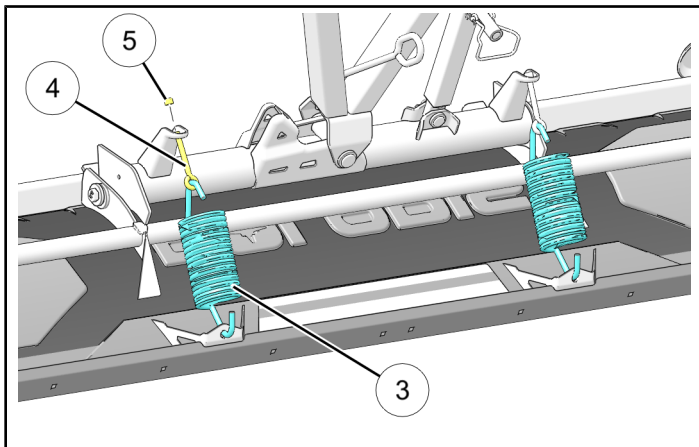
NOTE

Take care to lay the blade on a clean surface to avoid damaging the blade during installation. Use the blade packaging to protect the blade during this step if possible.

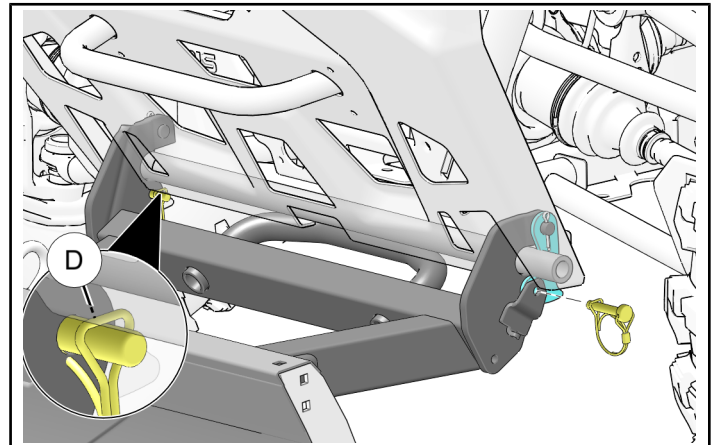
2. Align the mounting holes in the plow pivot with the mounting holes in the blade as indicated in the illustration.



3. Install the two flange sleeves (6) into the holes of the plow with the two hex bolts (7) and tighten the self-locking nuts (8).
4. Hook one end of a plow spring (3) to plow upper holes and fix the other end to the plow pivot using the supplied two eye bolts (4) and two self-locking nuts (5).



3. Once plow frame is fully seated onto the mounting bar make sure the locking plates are rotated into position to allow the locking pins to be inserted. Insert the locking pins being sure to latch the wire retaining clip (D) to secure the pins in place.

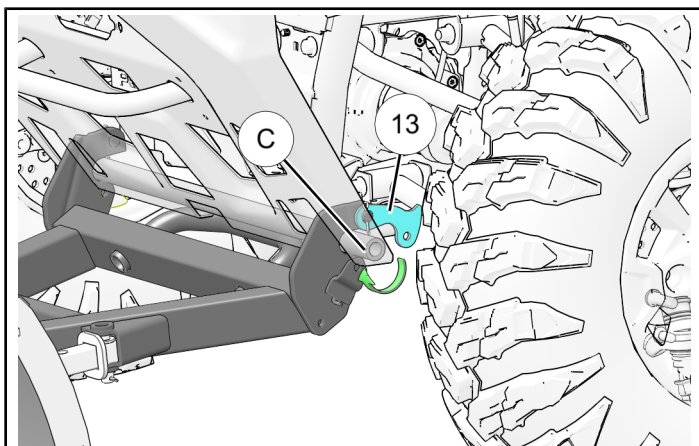


PLOW INSTALLATION

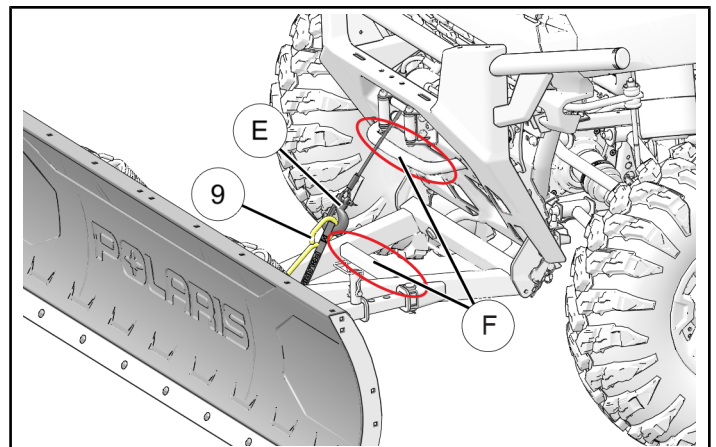
NOTE

Frame installation may require a mount plate specific to your vehicle. Certain vehicles come equipped from the factory with the plow mount already attached to the vehicle.

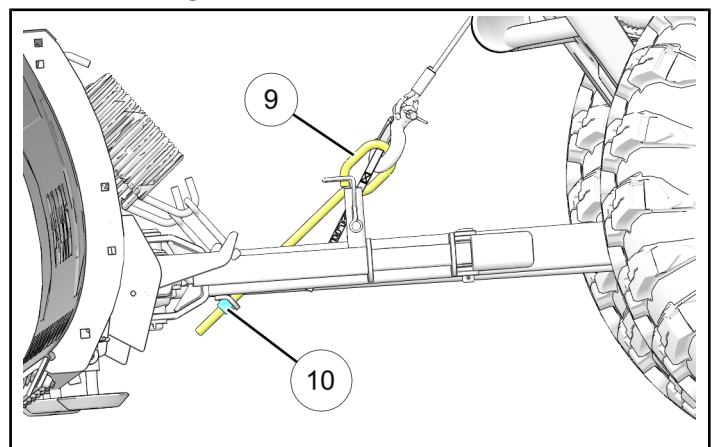
1. Lay the plow assembly on the ground in front of the vehicle. Make sure the lock pins are removed to allow the locking plates (13) to swing freely.
2. Slide the assembly towards the vehicle so that the plow frame attachment pockets slide onto the vehicles plow mounting bar (C).



4. Attach the winch rope's hook (E) to the winch link bolt (9).

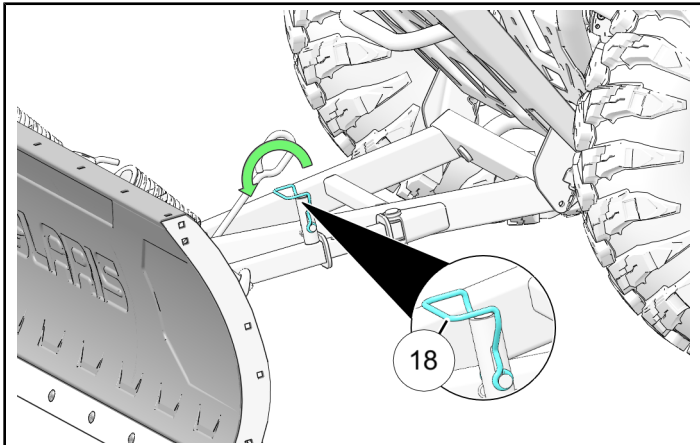


5. Using the winch, raise the blade fully so the plow is touching the bumper. See illustration for contact points (F).
6. Adjust nut on the winch link (9) so the winch stops when the plow has made contact with the bumper (has reached its upper limit) at above shown locations (F).

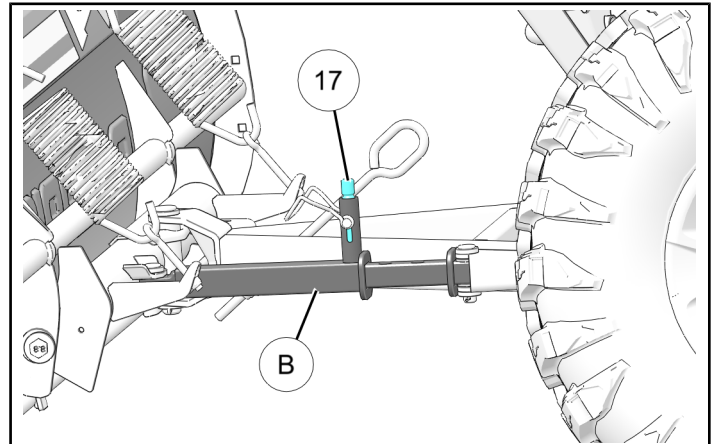


FLOW OPERATION INSTRUCTIONS

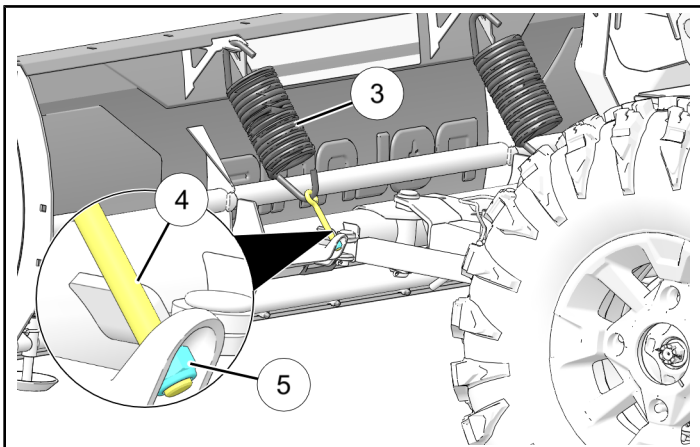
- To adjust the angle of the plow so it pushes to the side, lift the plow up with the winch to clear the ground. Rotate the shear pin handle ⑱ on the pivot arm assembly to the unlocked position and pull up to disengage the shear pin. This will allow the plow to be angled to one of the pre-determined angles. Once in the desired position secure the plow in position by pushing the shear pin back down into one of the holes nearest your desired position and rotate the handle back into the locked position.



- In the event of a collision with an obstacle at a speed greater than that recommended for the system, the shear pin ⑰ of the manual angle mechanism ① will break to minimize the force of impact in the frame. If the shear pin is broken, inspect the plow system for damaged parts. If any part is damaged, the impact velocity was greater than what the system is designed to support. You must then buy a replacement part from your dealer.



- The plow is designed to trip forward when it hits a solid object. When the pressure on the plow is released, it will return to its original position by itself. The plow springs ③ may be set stiffer by tightening the self-locking nuts ⑤ located at the ends of the eye bolts ④. For less tension, loosen the nuts.



FEEDBACK FORM

A feedback form has been created for the installer to provide any comments, questions or concerns about the installation instructions. The form is viewable on mobile devices by scanning the QR code or by clicking [HERE](#) if viewing on a PC.

